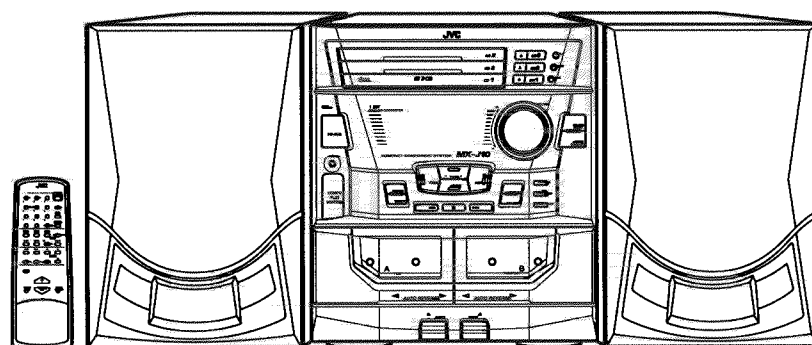


JVC

SERVICE MANUAL

COMPACT COMPONENT SYSTEM

MX-J10



SP-MXJ10

CA-MXJ10

SP-MXJ10

COMPACT
disc
DIGITAL AUDIO

Area Suffix

B	U.K.
E	---	Continental Europe
EE	---	Russian Federation
EN	Notthen Europe
EV	Eastern Europe

Contents

Safety precautions	1-2	Flow of functional operation	
Important for laser products	1-3	until TOC read	2-23
Instructions	1-4	Description of major ICs	2-24
Disassembly method	2-1	Block diagrams	2-36
Adjustment method	2-18	Standard schematic diagrams	2-38
Maintenance of laser pickup	2-22	Printed circuit boards	2-43
Replacement of laser pickup	2-22	Parts list	3-1

Safety Precautions

1. This design of this product contains special hardware and many circuits and components specially for safety purposes. For continued protection, no changes should be made to the original design unless authorized in writing by the manufacturer. Replacement parts must be identical to those used in the original circuits. Services should be performed by qualified personnel only.
2. Alterations of the design or circuitry of the product should not be made. Any design alterations of the product should not be made. Any design alterations or additions will void the manufacturer's warranty and will further relieve the manufacture of responsibility for personal injury or property damage resulting therefrom.
3. Many electrical and mechanical parts in the products have special safety-related characteristics. These characteristics are often not evident from visual inspection nor can the protection afforded by them necessarily be obtained by using replacement components rated for higher voltage, wattage, etc. Replacement parts which have these special safety characteristics are identified in the Parts List of Service Manual. Electrical components having such features are identified by shading on the schematics and by (Δ) on the Parts List in the Service Manual. The use of a substitute replacement which does not have the same safety characteristics as the recommended replacement parts shown in the Parts List of Service Manual may create shock, fire, or other hazards.
4. The leads in the products are routed and dressed with ties, clamps, tubings, barriers and the like to be separated from live parts, high temperature parts, moving parts and/or sharp edges for the prevention of electric shock and fire hazard. When service is required, the original lead routing and dress should be observed, and it should be confirmed that they have been returned to normal, after re-assembling.

5. Leakage current check (Electrical shock hazard testing)

After re-assembling the product, always perform an isolation check on the exposed metal parts of the product (antenna terminals, knobs, metal cabinet, screw heads, headphone jack, control shafts, etc.) to be sure the product is safe to operate without danger of electrical shock.

Do not use a line isolation transformer during this check.

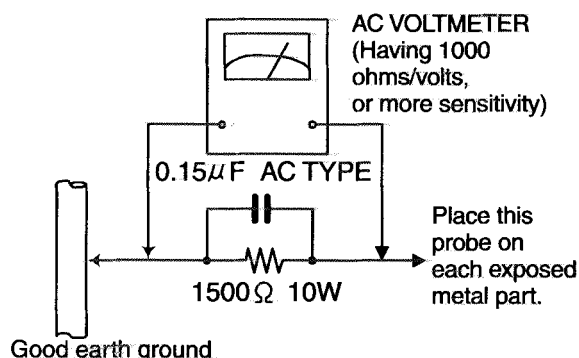
- Plug the AC line cord directly into the AC outlet. Using a "Leakage Current Tester", measure the leakage current from each exposed metal parts of the cabinet, particularly any exposed metal part having a return path to the chassis, to a known good earth ground. Any leakage current must not exceed 0.5mA AC (r.m.s.)

- Alternate check method

Plug the AC line cord directly into the AC outlet. Use an AC voltmeter having, 1,000 ohms per volt or more sensitivity in the following manner. Connect a 1,500 Ω 10W resistor paralleled by a 0.15 μ F AC-type capacitor between an exposed metal part and a known good earth ground.

Measure the AC voltage across the resistor with the AC voltmeter.

Move the resistor connection to each exposed metal part, particularly any exposed metal part having a return path to the chassis, and measure the AC voltage across the resistor. Now, reverse the plug in the AC outlet and repeat each measurement. voltage measured Any must not exceed 0.75 V AC (r.m.s.). This corresponds to 0.5 mA AC (r.m.s.).



Warning

1. This equipment has been designed and manufactured to meet international safety standards.
2. It is the legal responsibility of the repairer to ensure that these safety standards are maintained.
3. Repairs must be made in accordance with the relevant safety standards.
4. It is essential that safety critical components are replaced by approved parts.
5. If mains voltage selector is provided, check setting for local voltage.

CAUTION Burrs formed during molding may be left over on some parts of the chassis. Therefore, pay attention to such burrs in the case of performing repair of this system.

Important for laser products

1.CLASS 1 LASER PRODUCT

2.DANGER : Invisible laser radiation when open and interlock failed or defeated. Avoid direct exposure to beam.

3.CAUTION : There are no serviceable parts inside the Laser Unit. Do not disassemble the Laser Unit. Replace the complete Laser Unit if it malfunctions.

4.CAUTION : The compact disc player uses invisible laserradiation and is equipped with safety switches which prevent emission of radiation when the drawer is open and the safety interlocks have failed or are defeated. It is dangerous to defeat the safety switches.

5.CAUTION : If safety switches malfunction, the laser is able to function.

6.CAUTION : Use of controls, adjustments or performance of procedures other than those specified herein may result in hazardous radiation exposure.

⚠ CAUTION Please use enough caution not to see the beam directly or touch it in case of an adjustment or operation check.

VARNING : Osynlig laserstrålning är denna del är öppnad och spårren är urkopplad. Betrakta ej strålen.

VARO : Avattaessa ja suojalukitus ohitettaessa olet alltiina näkymättömälle lasersäteilylle. Älä katso säteeseen.

ADVARSEL : Usynlig laserstrålning ved åbning , når sikkerhedsafbrydere er ude af funktion. Undgå udsættelse for stråling.

ADVARSEL : Usynlig laserstrålning ved åpning,når sikkerhetsbryteren er avslott. unngå utsettelse for stråling.

REPRODUCTION AND POSITION OF LABELS

WARNING LABEL

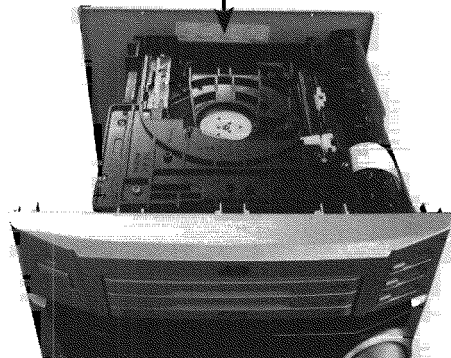
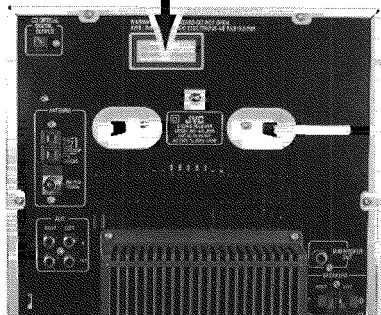
DANGER : Invisible laser radiation when open and interlock or defeated.
AVOID DIRECT EXPOSURE TO BEAM. (e)

VARO : Avattaessa ja suojalukitus ohitettaessa olet alltiina näkymättömälle lasersäteilylle. Älä katso säteeseen. (d)

VARNING : Osynlig laserstrålning är denna del är öppnad och spårren är urkopplad. Betrakta ej strålen. (s)

ADVARSEL : Usynlig laserstrålning ved åbning , når sikkerhedsafbrydere er ude af funktion. Undgå udsættelse for stråling. (f)

**CLASS 1
LASER PRODUCT**



MX-J10 Instructions

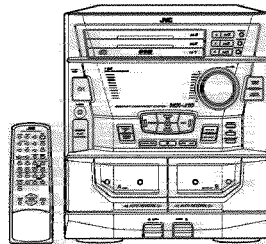
JVC

COMPACT COMPONENT SYSTEM

CA-MXJ10

JVC
VICTOR COMPANY OF JAPAN LIMITED

COMPACT
disc
DIGITAL AUDIO



INSTRUCTIONS

For Customer Use:
Enter below the Model No. and Serial No. which are located either on the rear, bottom or side of the cabinet. Retain this information for future reference.

Model No. _____
Serial No. _____

LVT0301-003A
[B]

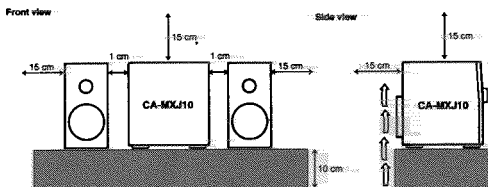
Warnings, Cautions and Others

IMPORTANT for the U.K.
DO NOT cut off the mains plug from this equipment, if the plug fitted is not suitable for the power points in your home or the cable is too short to reach a power point, then obtain an appropriate safety approved extension lead or consult your dealer.
BE SURE to replace the fuse only with an identical approved type, as originally fitted.
If nonetheless the mains plug is cut off ensure to remove the fuse and dispose of the plug immediately to avoid a possible shock hazard by inadvertent connection to the mains supply.
If this product is not supplied fitted with a mains plug then follow the instructions given below.
IMPORTANT:
DO NOT make any connection to the terminal which is marked with the letter E or by the safety earth symbol or coloured green or green-and-yellow.
The wires in the mains lead on this product are coloured in accordance with the following code:
Blue : Neutral
Brown : Live
As these colours may not correspond with the coloured markings identifying the terminals in your plug proceed as follows:
The wire which is coloured blue must be connected to the terminal which is marked with the letter N or coloured black.
The wire which is coloured brown must be connected to the terminal which is marked with the letter L or coloured red.
IF IN DOUBT - CONSULT A COMPETENT ELECTRICIAN.

CAUTION
To reduce the risk of electrical shocks, fire, etc.:
1. Do not remove screws, covers or cabinet.
2. Do not expose this appliance to rain or moisture.

Caution - On switch!
Disconnect the mains plug to shut the power off completely. The On switch in any position does not disconnect the mains line. The power can be remote controlled.

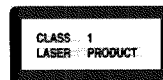
Caution: Proper Ventilation
To avoid risk of electric shock and fire, and to prevent damage, locate the apparatus as follows:
1 Front:
No obstructions and open spacing.
2 Sides/ Top/ Back:
No obstructions should be placed in the areas shown by the dimensions below.
3 Bottom:
Place on the level surface. Maintain an adequate air path for ventilation by placing on a stand with a height of 10 cm or more.



IMPORTANT FOR LASER PRODUCTS

REPRODUCTION OF LABELS

① CLASSIFICATION LABEL, PLACED ON REAR ENCLOSURE. ② WARNING LABEL, PLACED INSIDE THE UNIT



CLASS 1 LASER PRODUCT	CAUTION: Handle the laser with care and do not look directly into the beam.	CAUTION: Do not open the top cover. There are no user serviceable parts inside the unit. Leave all servicing to qualified service personnel.	CAUTION: Do not look directly into the beam.	CAUTION: Do not look directly into the beam.
-----------------------	---	--	--	--

- CLASS 1 LASER PRODUCT
- DANGER:** Invisible laser radiation when open and interlock failed or released. Avoid direct exposure to beam.
- CAUTION:** Do not open the top cover. There are no user serviceable parts inside the unit. Leave all servicing to qualified service personnel.

Thank you for purchasing the JVC Compact Component System.
 We hope it will be a valued addition to your home, giving you years of enjoyment.
 Be sure to read this instruction manual carefully before operating your new stereo system.
 Here you will find all the information you need to set up and use the system.
 For questions that are not be answered in the manual, please contact your dealer.

Features

Easy operation
COMPU PLAY
 Great sound
 Triple Tray

- Here are some of the things that make your System powerful and easy to use.
- The controls and operations have been redesigned to make them very easy to use, so you can spend your time listening to music.
 - With the One Touch Operation feature of JVC's **COMPU PLAY** you can turn on the System and start the radio, the Cassette Deck, or the CD Player with a single touch.
 - To get such great sound from such a compact package the System has:
 - Programmed sound mode includes live surround effect **D. CLUB, HALL, and STADIUM**. It also includes S.E.A. (Sound Effect Amplifier) effects **ROCK, CLASSIC, and POP**.
 - CD changer function can operate 3 discs.
 - Discs can be changed during play using the **TRIPLE TRAY**.
 - Continuous, random or program play of 3 discs.
 - Includes a timer for recording broadcasts while you are out, and an easy-to-use Sleep timer.

How This Manual Is Organized

- In this manual we have incorporated some special features:
- Basic information that is the same for many different functions is grouped in one place, and not repeated in each procedure. For instance, in the section on playing a CD, we do not repeat the information about setting the volume and the sound conditions, which are discussed in the Common Operations section.
 - Name of buttons and controls are written in all capital letters like this: **SOUND MODE**.
 - When we are talking about the Function, rather than the **BUTTON** or **DISPLAY**, only the first letter is capitalized.
- The manual has a table of contents to help you quickly look up what you want to know.
 We've enjoyed making this manual for you, and hope you will use it to enjoy the sound and many features built into your System.

IMPORTANT CAUTIONS

- Installation of the Unit**
 - Select a place which is level, dry and neither too hot nor too cold. (Between 5°C and 33°C or 41°F and 91°F).
 - Leave sufficient distance between the Unit and a TV.
 - Do not use the Unit in a place subject to vibrations.
- Power cord**
 - Do not handle the power cord with wet hands!
 - Some power (9 watts) is always consumed as long as the power cord is connected to the wall outlet.
 - When unplugging the Unit from the wall outlet, always pull the plug, not the power cord.
- Malfunctions, etc.**
 - There are no user-serviceable parts inside. If anything goes wrong, unplug the power cord and consult your dealer.
 - Do not insert any metallic object into the Unit.

Table of Contents

Getting Started	3	Using the Cassette Deck (Listening to a Tape)	18
Accessories	3	One Touch Play	18
How to Put Batteries in the Remote Control	3	Regular Play	18
Using the Remote Control	3	Fast Left and Fast Right	19
Connecting the FM Antenna	4	Music Scan	19
Connecting the AM (MW/LW) Antenna	4	Finding the Beginning of the Current Selection	19
Connecting the Speakers	5	Finding the Beginning of the Next Selection	19
Connecting Auxiliary Equipment	5	Reverse Mode	19
COMPU PLAY	6		
Common Operations	7	Using the Cassette Deck (Recording)	20
Turning the Power On and Off	7	Things to Know Before You Start Recording	20
Turning the System On	7	Standard Recording	21
Turning the System Off	7	Recording Any Sound Source to Tape	21
Adjusting the Volume	8	CD Direct Recording	22
Reinforcing the Bass Sound	8	Tape to Tape Recording (Dubbing)	22
Sound Modes	8	How to Use the DUBBING Button	22
Listening to Auxiliary Equipment	9		
Using the Tuner	10	Using the Timer	23
One Touch Radio	10	Setting the Clock	23
Tuning in a Station	10	Setting the Timer	24
Switching between Frequency Bands	10	Setting the Sleep Timer	25
Three ways to select a station	11	Care And Maintenance	26
Presetting Stations	11	Troubleshooting	27
Changing the FM Reception Mode	11	Specifications	28
Using the CD Player	12		
The Quickest Way to Start a CD Is with the One Touch Operation	13		
Inserting Discs	13		
Basics of Using the CD Player—Normal Play	14		
Playing a Disc	14		
Selecting a Disc, Track or Passage	14		
Within a Track	14		
Locating a Track with the Remote Control	14		
Directly	14		
Changing Discs While Playing	14		
Continuous Play	15		
Programming the Playing Order of the Tracks	15		
Random Play	16		
Repeating a Selection or the Discs	17		
Tray Lock Function	17		
Locking the Electronic Lock	17		
Unlocking the Electronic Lock	17		

Getting Started

Accessories

Check that you have all of the following items, which are supplied with the System:

- AM (MW/LW) Loop Antenna (1)
- Remote Control (1)
- Batteries (2)
- FM Wire Antenna (1)

If any of these items is missing, contact your dealer immediately.

How to Put Batteries in the Remote Control

Match the polarity (+ and -) on the batteries with the + and - markings in the battery compartment.

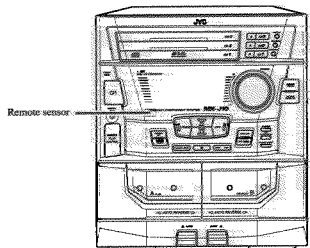


CAUTION: Handle batteries properly.

- To avoid battery leakage or explosion:
- Remove batteries when the Remote Control will not be used for a long time.
 - When you need to replace the batteries, replace both batteries at the same time with new ones.
 - Don't use an old battery with a new one.
 - Don't use different types of batteries together.

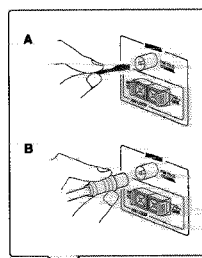
Using the Remote Control

The Remote Control makes it easy to use many of the functions of the System from a distance of up to 7m (23 feet) away.
 You need to point the Remote Control at the remote sensor on the System's front panel.

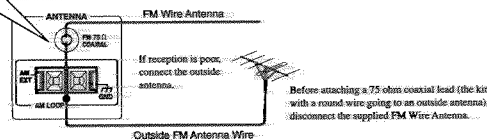


CAUTION: Make all connections before plugging the Unit into an AC power outlet.

Connecting the FM Antenna

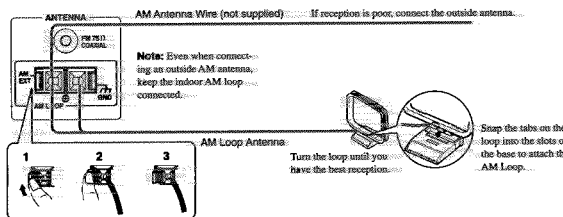


- A. Using the Supplied Wire Antenna:**
 The FM Wire Antenna provided can be connected to a FM 75 Ω COAXIAL as temporary measure. Extend the supplied wire antenna horizontally.
- B. Using the Standard Type Connector (not supplied):**
 A standard type connector (IEC or DIN 45325) should be connected to the FM 75 Ω COAXIAL terminal.



CAUTION: To avoid noise, keep antennas away from metallic parts of the System, connecting cord and the AC power cord.

Connecting the AM (MW/LW) Antenna

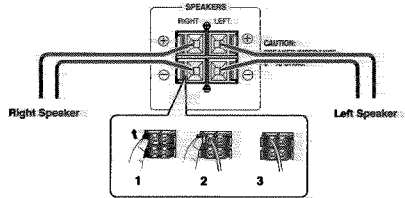


CAUTION: Make all connections before plugging the Unit into an AC power outlet.

Connecting the Speakers

Please refer to instructions for speakers as well when you connect speakers.

- For each speaker, connect one end of the speaker wire to the speaker terminals on the back of the System.
- Open each of the terminals and insert the speaker wires firmly, then close the terminals.
 - Connect the red (+) and black (-) terminals of the right side speaker to the red (+) and black (-) terminals marked **RIGHT** on the System.
 - Connect the red (+) and black (-) terminals of the left side speaker to the red (+) and black (-) terminals marked **LEFT** on the System.

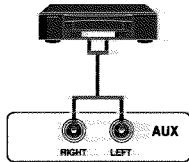


IMPORTANT: Use speakers with the correct impedance only. The correct impedance is indicated on the back panel.
CAUTION: If a TV is installed near speakers, the TV may display irregular colours. In this case, set the speakers away from the TV.

Connecting Auxiliary Equipment

VCR or other equipment

To listen to this source, press the **AUX** button.

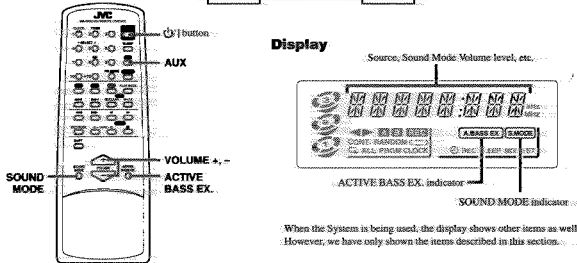
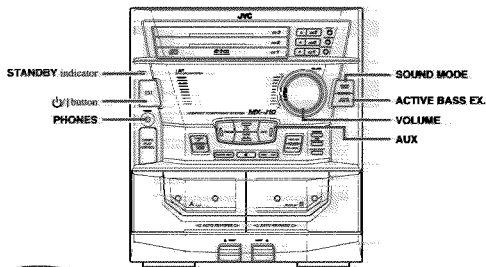


Now you can plug the AC power cord into the wall outlet, and your System is at your command!

5

6

Common Operations



When the System is being used, the display shows other items as well. However, we have only shown the items described in this section.

Turning the Power On and Off

Turning the System On

Press the **ON** button.

The display comes on and the **STANDBY** indicator goes out.

The System comes on ready to continue in the mode it was in when the power was last turned off.

- If the last thing you were doing was listening to a tape in Deck B, you are now ready to listen to a tape again in Deck B, or you can change to another source.
- If you were listening to the Tuner last, the Tuner comes on playing the station it was last set to.

Turning the System Off

Press the **OFF** button again.

The **STANDBY** indicator lights up and the display is blank, except for the clock display.

- Some power (9 watts) is always consumed even though power is turned off (called Standby Mode).
- To switch off the Unit completely, unplug the AC power cord from the AC outlet. When you unplug the AC power cord, the clock will be reset to 0:00 immediately, and preset Tuner stations will be erased after a few days.

7

COMPU PLAY



COMPU PLAY is JVC's feature that lets you control the most frequently used functions of the System with a single touch.
 One-Touch Operation starts playing a CD, turns on the radio, plays a tape, etc. with a single press of the play button for that function. What One-Touch Operation does for you is to turn the power on, then start the function you have specified. If the Unit is not ready, such as no CD or tape in place, the Unit still powers on so you can insert a CD or tape.
 How One-Touch Operation works in each case is explained in the section dealing with that function. The **COMPU PLAY** buttons are:

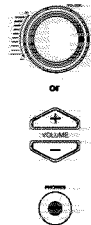
On the Unit

- CD **▶/▶** button
- CD Player CD1 to CD3 buttons
- CD Player Open/Close (⬇) buttons
- FM/AM button
- TAPE **▶/▶** button
- AUX button

On the Remote Control

- FM/AM button
- AUX button
- CD control **▶/▶** button
- CD control CD1 to CD3 buttons
- Deck control **▶/▶** buttons

Adjusting the Volume



Turn the **VOLUME** control clockwise to increase the volume or anticlockwise to decrease it.
 Turning the **VOLUME** control quickly also adjusts the volume level quickly.
 When using the Remote Control, press the **VOLUME +** button to increase the volume or press the **VOLUME -** button to decrease it.
 You can adjust the volume level between 0 and 50.

VOLUME 0

CAUTION: The Volume cannot be adjusted while the Unit is in **STANDBY** mode. **DO NOT** turn on the Unit and/or start playing any source without setting the **VOLUME** control to 0; otherwise, the sudden blast of sound can damage your hearing, speakers and/or headphones.

For private listening

- Connect a pair of headphones to the **PHONES** jack. No sound comes out of the speakers.
- Be sure to turn down the volume before connecting or putting on headphones.

Reinforcing the Bass Sound

The richness and fullness of the bass sound is maintained regardless of how low you set the volume. You can use this effect only for playback.

To get the effect, press the **ACTIVE BASS EX.** (Active Bass Extension) button.

The frame around the "A.BASS EX" indicator lights up.

A.BASS EX

To cancel the effect, press the button again.

The frame around the "A.BASS EX" indicator goes out.

A.BASS EX

Sound Modes

The System has some preset sound effects that give you control of the way your music sounds, so you can tailor it for your room and for the quality of the source. We can give you some idea of how each one affects the music, but the only way to really tell is to try them yourself.

- The preset sound modes include modes using surround effects and modes using S.E.A. effects.
- Sound Mode effects cannot be recorded.

Surround effect modes

- D. CLUB (Dance Club)** Increases resonance and bass.
- HALL** Adds depth and brilliance to the sound, like in a concert hall.
- STADIUM** Adds clarity and spreads the sound, like in an outdoor stadium.

S.E.A. effect modes

- ROCK** Boosts low and high frequencies.
- CLASSIC** Set for wide and dynamic sound stereo systems.
- POP** Good for vocal music.

To get an effect, press the **SOUND MODE** button repeatedly until the Sound Mode you want appears on the display. The frame around the "S.MODE" indicator lights up.

Each time you press the **SOUND MODE** button, the display changes as shown below:

→ D. CLUB → HALL → STADIUM → ROCK → CLASSIC → POP → FLAT → (back to the beginning)

To cancel an effect, press the **SOUND MODE** button until "FLAT" appears on the display. The frame around the "S.MODE" indicator goes out.

S.MODE

To recall the previous Sound Mode, press the **SOUND MODE** button again.

Listening to Auxiliary Equipment

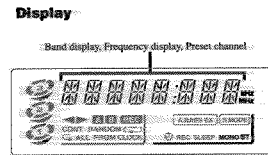
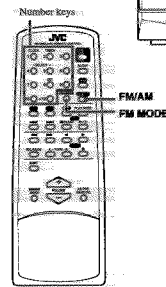
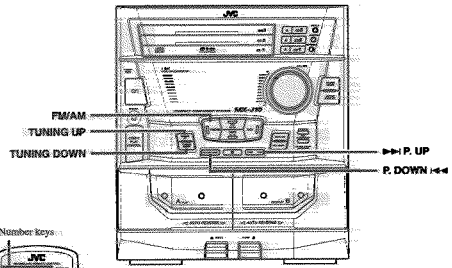


By playing the sound from auxiliary equipment through the System, you can gain control over how the music or program sounds. Once the connected equipment is playing through the System, you can apply the sound effects.

- First make sure that the optional equipment is properly connected to the System. (See page 53.)
- 1. **Set the VOLUME control to 0.**
- 2. **Press the AUX button.**
When System is in Standby mode, the Unit is automatically turned on and "AUXC" appears on the display.
- 3. **Start playing the equipment.**
- 4. **Adjust the VOLUME control to the desired listening level.**
- 5. **Select a sound effect mode, if you wish.**

To Cancel the Setting:
Change the source by starting any one of the System's built-in sound sources, such as the Tuner or CD Player.

Using the Tuner



When the System is being used, the display shows other items as well. However, we have only shown the items described in this section.

You can listen to both FM and AM (MW/LW) stations. Stations can be tuned in manually, automatically, or from preset memory storage.

- Before listening to the radio:
 - Check that both the FM and AM (MW/LW) antennas are firmly connected. (See page 4.)

One Touch Radio

Just press the FM/AM button to turn on the Unit and start playing the most recent station tuned in.

- You can switch from any other sound source to the radio by pressing the FM/AM button.

Tuning in a Station

Press the FM/AM button to turn on the radio.
The frequency of the previously selected channel appears on the display.

Switching between Frequency Bands
Press the FM/AM button.

Each time you press the button, the band alternates between FM and AM (MW/LW).

Three ways to select a station

- Press the TUNING UP or TUNING DOWN button repeatedly to move from frequency to frequency until you find the one you want. (Manual Tuning)
 - OR
 - Press and hold the TUNING UP or TUNING DOWN button for a few seconds, and the frequency starts changing on the display. When a station is tuned in, the frequency stops changing. (Auto-Tuning)
 - OR
 - Possible only after presetting stations:
 - Press once and release the P. DOWN or P. UP button to go to the next preset station.
- You can also use the Remote Control to tune in preset channels:**
1. Press the FM/AM button so that you can receive the most recent station tuned in.
 2. Select the station by entering the preset number on the number keys of the Remote Control.
 - Example: For channel 5, press 5. For channel 15, press +10 then 5.
 - For channel 20, press +10, then 10. For channel 30, press +10 twice then 10.
- After you have selected the preset number and the number is displayed, the broadcast frequency of the selected channel is displayed.

Presetting Stations

You can preset up to 30 FM stations and up to 15 AM stations for the preset numbers.

Note: In some cases, test frequencies have been already memorized for the tuner since the factory examined the tuner preset function before shipment. This is not a malfunction. You can preset the stations you want into memory by following the presetting method.

- 1. **Select a band by pressing the FM/AM button.**
- 2. **Press the TUNING UP or TUNING DOWN button to tune into a station.**
- 3. **Setting the preset number by pressing the number keys on the Remote Control:**
 - For preset numbers 1 to 10:**
Press and hold the number key for the preset number you want to set.
 - For preset numbers 11 to 20:**
Press and hold the 1 to 10 buttons after pressing the +10 button.
 - For preset numbers 21 to 30:**
Press and hold the 1 to 10 buttons after pressing the +10 button twice.
- 4. Release the button after the number starts to blink. This completes the preset setting.
- 5. **Repeat steps 1 - 3 for each station you want to store in memory with a preset number.**

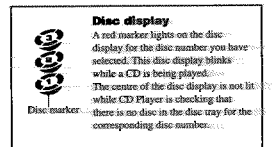
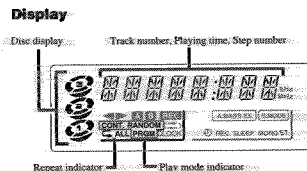
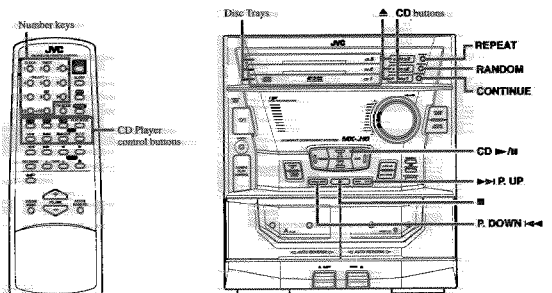
CAUTION: If the Unit is unplugged or if a power failure occurs, the preset stations will be erased after a few days. If this happens, preset the stations again.

Changing the FM Reception Mode

When an FM stereo broadcast is hard to receive or noisy, press the FM MODE button on the Remote Control so that the "MONO" indicator lights up on the display. Reception improves, but there is no stereo effect.

To restore the stereo effect, press the FM MODE button on the Remote Control so that the "MONO" indicator goes off. In this stereo mode, the "ST" indicator lights up and you can hear stereo effects, when a program is broadcast in stereo.

Using the CD Player



When the System is being used, the display shows other items as well. However, we have only shown the items described in this section.

The System's CD Player has an Automatic Changer with 3 disc trays. You can use Continuous, Random, Program or Repeat Play for the discs in CD1, CD2 and CD3. Repeat Play can repeat all the tracks on all the CD's, the tracks on one of the CD's or one track on one CD. There is also the Tray Lock function, which safely keeps discs in the trays.

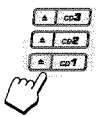
Here are the basic things you need to know to play a CD and locate the different selections on it. Each selection is called a track, so when we are talking about locating a track, we are also talking about how you find a certain song or performance.



The Quickest Way to Start a CD Is with the One Touch Operation

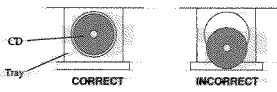
- Press the CD button (or the button on the Remote Control).
 - For Normal Play (Play mode indicator is not lit):**
 - If there is a CD in the disc tray for the selected disc number, the power is automatically turned on and the CD is played from the first track.
 - If there is no CD in the disc tray for the selected disc number, the power is automatically turned on and "NO DISC" appears on the display. The CD Player is in stop mode.
 - For Continuous Play or Random Play in Display mode (CONT. or RANDOM indicators are lit):**
 - If there is a CD in the disc tray for the selected disc number, the power is automatically turned on and the CD is played continuously from the first track or the tracks are played in random order.
 - If there is no CD in the disc tray for the selected disc number, the power is automatically turned on and other tray containing a CD is selected and is played continuously from the first track or the tracks are played in random order.
 - If there are no CDs in CD player, the power is automatically turned on and "NO DISC" appears on the display in Normal Play mode. The CD Player is in stop mode.
- Press a CD1, CD2 or CD3 button.
 - For Normal Play (Play mode indicator is not lit):**
 - If there is a CD in the disc tray for the selected disc number, the power is automatically turned on and playback starts from the selected CD.
 - If there are no CDs in CD Player, the power is automatically turned on and "NO DISC" appears on the display in Normal Play mode. The CD Player is set to stop mode.
- Press the button.
 - The power turns on, and the tray opens automatically.

Inserting Discs



- Press the button on the left of the Disc button you want to insert the disc into. The disc tray slides out automatically.
- Place a CD, with its label side up, onto the tray.

ATTENTION: To avoid malfunctions when you play a CD, please set the CD in the right place at the centre of the tray.

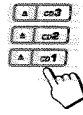


- Press the button to close the tray.
 - Repeat steps 1 to 3 to insert other discs into other trays.
 - To continue putting discs into other trays, even if a tray is open, by pressing the button of another disc tray, the open tray will close automatically, and the new disc tray will slide out.
- To put an 8 cm CD into a tray, insert it so that it is aligned with the groove in the tray's centre.
 - If a tray is open when the System switches to Standby mode, the tray is closed automatically.
 - If the CD cannot be read correctly (due to scratches etc.), "00 00000" appears on the display.

Basics of Using the CD Player — Normal Play

Playing a Disc

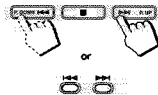
- Prepare the discs.
 - When using the Remote Control, press the button or the CD1, CD2 or CD3 buttons.
 - The first track of the selected disc will begin playing.
 - The CD Player automatically stops when the playback finishes the last track of the CD.
 - If these buttons are pressed while the tray is open, the tray is automatically closed and playback starts.
- Press the button or CD1, CD2 or CD3 button of the disc you want to play.
 - When using the Remote Control, press the button or the CD1, CD2 or CD3 buttons.
 - The first track of the selected disc will begin playing.
 - The CD Player automatically stops when the playback finishes the last track of the CD.
 - If these buttons are pressed while the tray is open, the tray is automatically closed and playback starts.



To stop playing the disc, press the button (or the CLEAR button on the Remote Control). To stop play and remove the disc, press the button for the disc being played. To pause, press the button (or the button on the Remote Control). The display will blink. To cancel pause, press the button (or press the button on the Remote Control). Play continues from the point where it was paused.

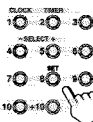
Selecting a Disc, Track or Passage Within a Track

- Press the CD1, CD2 or CD3 button for the disc tray containing the track you want to listen to.
 - Example: for the third disc, press CD3.
- Press the P. DOWN or P. UP button to select the track.
 - The selected track starts playing.
 - Each time you briefly press and release the P. DOWN or P. UP button, the track changes by one.
 - Press and release the P. UP button to go ahead one track at a time.
 - Press and release the P. DOWN button to go back one track at a time.
 - Holding down the P. DOWN or P. UP button, during playback, will fast forward/backwards the CD so you can quickly find a particular passage in the selection you are listening to.
 - When using the Remote Control, press the or button.



Locating a Track with the Remote Control Directly

- Using the number keys on the Remote Control allows you to go directly to the beginning of any track.
- Press the CD1, CD2 or CD3 button for the disc tray containing the track you want to listen to.
 - Example: for the third disc, press CD3.
 - Enter the number of the track you want to listen to with the number keys.
 - The selected track starts playing.
 - Example: For track 5, press 5. For track 15, press +10 then 5. For track 20, press +10, then 10. For track 32, press +10 three times, then 2.



Changing Discs While Playing

- You can replace a CD in a tray not being used, while another CD is playing.
- Press the button of the tray not being used.
 - The tray opens.
 - Replace the disc in the tray.
 - Press the button to close the tray.

Continuous Play

This function plays the disc in the Unit continuously.

- Prepare the discs.
- Select Continuous mode.



On the Unit

Press the CONTINUE button. The playback automatically starts from the selected CD. "CONT." on the Play mode indicator lights up.

You can press the CONTINUE button while a CD is playing to switch to Continuous mode.

On the Remote Control

- Press the PLAY MODE button while the CD Player is stopped, to select "CONTINUE".
 - "CONT." lights in the Play mode indicator.
 - The display changes with each press of the PLAY MODE button as shown below:



→ PROGRAM → RANDOM → CONTINUE → (back to the beginning)

- Press the CD1, CD2 or CD3 button or button.
 - Playback starts from the selected CD.

Playing order of the CDs

The selected CDs are played continuously in the following order: → CD1 → CD2 → CD3 → (back to the beginning).

To cancel Continuous play, press the CONTINUE button again. The "CONT." indicator on the display goes out and Normal Play is resumed. When using the Remote Control, press the PLAY MODE button while the CD Player is stopped to select a different Play mode. The "CONT." indicator goes out and the next Play mode is selected.

Programming the Playing Order of the Tracks

You can change the order in which the discs and tracks play, and select only the discs and tracks you want from among those loaded in the CD Player.

- You can program up to 20 steps in any desired order from among the discs in the player.
- You can only make a program when the CD Player is stopped.
- Use the Remote Control.

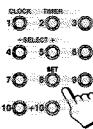
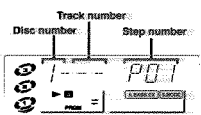
- Press the PLAY MODE button to select "PROGRAM".
 - The display changes with each press of the PLAY MODE button as shown below:



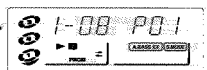
→ PROGRAM → RANDOM → CONTINUE → (back to the beginning)

- The "PRGM" play mode indicator lights up.
- If a program is already in progress, the last step of the program is displayed.

- Select a disc with the CD1, CD2 or CD3 button.
 - The display changes to the Program Entry display:



- Press the number keys (1 to 10 and +10) to select the track to program.
 - Example: For track 5, press 5.
 - For track 15, press +10 then 5.
 - For track 20, press +10 then 10.



- Repeat steps 2 to 3 to select the other tracks for the program.

- Press the button.
 - The Unit plays the tracks in the order you have programmed them.

- If you try to program a disc tray that is empty, or a track number that does not exist on a disc (for example, selecting track 14 on a disc that only has 13 tracks), the selected disc or track are skipped when the program is played.
- You can skip to a particular program step by pressing the or button during Program Play.
- To play the programmed tracks over and over, press the REPEAT button to select "ALL". The Repeat mode indicators light up in sequence with each press of the REPEAT button.

To stop playing, press the button (or the CLEAR button on the Remote Control) once. To delete all the tracks in a program, press the button on the Unit (or the CLEAR button on the Remote Control) while the CD Player is stopped. The program is deleted and the "PRGM" play mode indicator goes out and Normal Play is resumed. To cancel program play, press the PLAY MODE button on the Remote Control while the CD Player is stopped to select a different Play mode. The "PRGM" indicator goes out and the next Play mode is selected.

Note: If you press the CONTINUE or RANDOM button on the Unit while a program is playing, the play mode changes to that mode.

Random Play

The tracks will play in no special order when you use this mode.

On the Unit

Press the RANDOM button. The playback automatically starts from the selected CD. "RANDOM" on the Play mode indicator lights up.

You can press the RANDOM button while a CD is playing to switch to Random play mode.

On the Remote Control

- Press the PLAY MODE button while the CD Player is stopped, to select "RANDOM".
 - "RANDOM" lights in the Play mode indicator.



The display changes with each press of the PLAY MODE button as shown below: → PROGRAM → RANDOM → CONTINUE → (back to the beginning)

- Press the button.
 - Playback starts from the selected CD.

Note: Random Play cannot be activated with the CD1, CD2 or CD3 buttons.

To skip to the next track, press the button during playback. The next track is jumped to with each press of the button. Press the button to jump to the start of the track being played.

Press the REPEAT button before or during random play to instruct the System to continue with a different random track selection after the last selection is played.

To cancel random play, press the RANDOM button again. The "RANDOM" play mode indicator goes out and Normal Play is resumed. When using the Remote Control, press the PLAY MODE button while the CD Player is stopped to select a different Play mode. The "RANDOM" indicator goes out and the next Play mode is selected.

Repeating a Selection or the Discs

You can have all the discs, the program or the individual selection currently playing repeat as many times as you like...

Press the REPEAT button on the Unit.

The display changes with each press of the button, as shown below:

→ ALL → (back to the beginning)...

- Repeats one track on a CD...
- ALL: For Normal Play, repeats all the tracks on the current CD. For Continuous Play or Random Play, repeats all the tracks on all the CDs in the CD Player... For Program Play, repeats all the tracks in the program...

To exit Repeat Mode, press the REPEAT button until the Repeat mode indicator on the display goes out.

Tray Lock Function

In order to safely keep the discs in the CD Player, the three trays can be electronically locked in a single operation.

When the electronic lock is on, the trays cannot be opened even if the button is pressed.

This function can only be accessed by using the buttons on the Unit itself.

Locking the Electronic Lock

Put the System's power into STANDBY mode.

While pressing the button, press the button for CD1's tray on the Unit.

"LOCK ON" appears on the display to let you know that the trays have been locked.

LOCK ON

When the CD Player trays are locked, pressing the buttons displays the message "LOCK ON" on the display and the trays do not open. Also, the button cannot be used to automatically turn on the power.

Unlocking the Electronic Lock

Put the System's power into STANDBY mode.

While pressing the button, press the button for CD1's tray on the Unit.

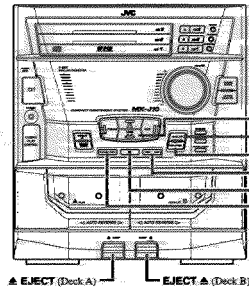
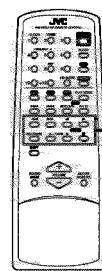
When the unlock operation is done, "LOCK OFF" appears on the display to show that the lock has been taken off.

LOCK OFF

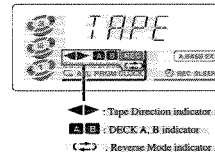
The trays can now be opened by pressing the buttons.

The button can also be used to automatically turn on the power.

Using the Cassette Deck (Listening to a Tape)



Display



Tape Direction Indicator on the Display

The Tape Direction Indicator tells you which direction the selected tape deck will use for playback:

- During playback, the direction indicator blinks slowly.
- During fast left or fast right, the indicator blinks quickly.
- During Music Scan mode, the direction indicator alternates between blinking slowly and quickly repeatedly.

- : Tape Direction indicator
- : DECK A, B indicator
- : Reverse Mode indicator

When the System is being used, the display shows other items as well. However, we have only shown the items described in this section.

The Cassette Deck allows you to play, record and dub audio tapes.

With Automatic Tape Detection, you can listen to Type I or II tapes without changing any settings.

The use of tapes longer than 120 minutes is not recommended, since characteristic deterioration may occur and these tapes easily jam in the pinch-rollers and the capstans.

One Touch Play

By pressing the TAPE button (or the button on the Remote Control), the Unit will come on. "TAPE" appears in the display, and if a tape is in the deck, it will start to play. If no tape is loaded, the Unit will come on and wait for you to insert a tape, or select another function.



Regular Play

When the power is already on, you can use this basic procedure:

- 1 Press the EJECT button for the deck you want to use.
- 2 When the cassette holder opens, put the cassette in, with the exposed part of the tape down, toward the base of the System.
 - If the cassette holder does not open, turn the Unit off, then back on and press the EJECT button again.

Close the holder gently.

When both Deck A and Deck B contain a tape, the last deck to have a tape inserted is selected. To change the selected deck, press the DECK A/B button. When using the Remote Control, press the A or B button.

Press the TAPE button (or or button on the Remote Control).

The tape is played in the direction of the button pressed for the selected deck.

- The Cassette Deck automatically stops when one side of a tape has finished playing.

To stop playing, press the button.

To remove the tape, stop the tape, and press the EJECT button.

To change decks while playing a tape, press the TAPE button after pressing the DECK A/B button on the Unit or press the or button after pressing the A or B button on the Remote Control.

Fast Left and Fast Right

- While the tape is stopped, press the P. DOWN button (or button on the Remote Control) and the tape will wind rapidly onto the left side of the cassette without playing.
- While the tape is stopped, press the P. UP button (or button on the Remote Control) and the tape will wind rapidly onto the right side of the cassette without playing.

Note: Deck A and Deck B cannot be used for playback at the same time.

Music Scan

To find the beginning of a music track during play, use the Music Scan function. Music Scan searches for blank portions that usually separate selections, then plays the next selection.

Finding the Beginning of the Current Selection

Press the P. DOWN or P. UP button (or the or button on the Remote Control) during play.

- Make sure that you press the P. DOWN or P. UP button (or the or button on the Remote Control) in the opposite direction to that in which the tape is playing. Searching stops at the beginning of the current selection, and the current selection starts automatically.

Finding the Beginning of the Next Selection

Press the P. DOWN or P. UP button (or the or button on the Remote Control) during play.

- Make sure that you press the P. DOWN or P. UP button (or the or button on the Remote Control) in the same direction as that in which the tape is playing. Searching stops at the beginning of the next selection, and the next selection starts automatically.

Music Scan works by detecting a 4-second long blank at the beginning of each selection, so it won't work well if your tape has:

- No blank at the beginning of a selection.
- Noise (often caused by music use or poor quality dubbing) which fills the blank.
- Long, very soft passages or pauses in a selection. The scan will detect these as 4-second long blanks. If this happens, just scan again until you reach the selection you want.

Reverse Mode

You can play both sides of a cassette, or play both the tapes in the two Cassette Decks continuously.

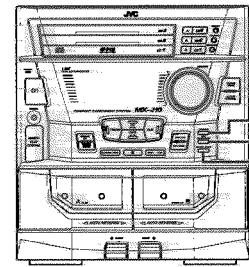
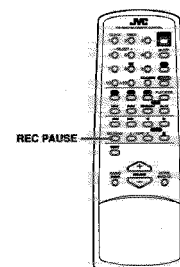
Press the REV. MODE button to switch to Reverse Mode.

The indicator changes with each press of the button as shown.

→ ALL → (back to the beginning)...

- The Cassette Deck automatically stops after playing one side of the tape.
- The Cassette Deck automatically stops after playing both sides of the tape being played (or set to play).
- After playing both sides of the tape being played (or set to play), the Unit always checks to see if a tape is in the other deck. If there is, it automatically starts playing that tape. This Continuous Play function works regardless of which deck starts first. The tapes are played continuously until the button is pressed.

Using the Cassette Deck (Recording)



Display



REC indicator

When the System is being used, the display shows other items as well. However, we have only shown the items described in this section.

Recording onto a cassette from any of the sound sources is simple. Just place a tape in Deck B, have the source ready, make one or two settings, and you're ready to record. For each source the procedure is a little bit different and now we'll explain just what to do for each one. If you forget, just come back to the section which has the specific procedures you need. But first, here are a few things to make your recordings better.

Things to Know Before You Start Recording

- It should be noted that it may be unlawful to re-record pre-recorded tapes, records, or discs without the consent of the owner, of copyright in the sound or video recording, broadcast or cable programme and in any literary, dramatic, musical, or artistic embodied therein.
- When you want to record onto both sides of a tape, you can set Reverse mode on to do so. However, recording automatically stops after recording in the direction in Reverse mode. Therefore, make sure that the tape direction is when recording with Reverse mode on.
- The recording level, which is the volume at which the new tape is being made, is automatically set correctly, so it is not affected by the VOLUME control on the System. Thus, during recording you can adjust the sound you are actually listening to without affecting the recording level.
- Two small tabs on the back of the cassette tape, one for side A and one for side B, can be removed to prevent accidental erasure or re-recording. To record on a cassette with the tabs removed, you must cover the holes with adhesive tape first. However, when a Type II tape is used, only cover part of the hole as shown, since the other part of the hole is used to detect the tape type.
- When recording, you can hear Sound Mode effects through the speakers or headphones. However, the sound is recorded without Sound Mode effects.
- Type I and Type II tapes can be used for recording.

Note: At the start and end of cassette tapes, there is leader tape which cannot be recorded onto. Depending on the recording source, the first part of the recording may be missing because of the leader. When recording CDs or radio broadcasts, to get the beginning of the recording on the tape, first wind on the leader before beginning recording.

CAUTION: If recordings you have made have excessive noise or static, the Unit may be too close to a TV which was on during the recording. Either turn off the TV or increase the distance between the TV and the System.

Standard Recording

This is the basic method for recording any source. The System also has special ways for recording CD to tape, and tape to tape, which save you time and effort, as well as give you some special effects. However, when you need to add a selection to a tape you have made, or are combining selections from several sources on one tape, use the method described below; just substitute the source you want into this procedure, such as a tape in Deck A, a CD, or the Tuner. You can also record from auxiliary sources without this procedure.

Recording Any Sound Source to Tape

Follow these steps to record from any sound source onto a tape in Deck B.

Using the Unit

- 1. Insert a blank or erasable tape into Deck B.**
- 2. Press the REV. MODE button if you want to record on both sides of the tape.**
Press the button until the "REV" or "REV" indicator is lit.
• When using Reverse Mode, insert the tape so that it will be recorded in the forwards ► direction.
- 3. Check the recording direction for the tape.**
Check that the Tape Direction indicator is the same as that for the tape in the tape deck. If the directions are different, press the TAPE ◀▶ button after pressing the TAPE ◀▶ button to set the tape direction.
• When using Reverse Mode to record both sides of a tape, check that the Tape Direction indicator is in the forwards ► direction. If the direction indicator is not in the forwards ► direction, press the TAPE ◀▶ button then press the ■ button.
- 4. Prepare the source by, for example, tuning in a radio station, loading CDs, or turning on connected equipment.**

Press the REC START/STOP button.

The "REC" indicator light comes on and the System begins recording.

Using the Remote Control

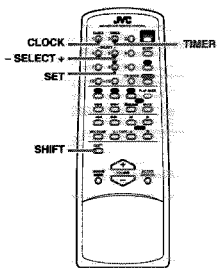
- 1. Insert a blank or erasable tape into Deck B.**
- 2. Press the REV. MODE button on the Unit if you want to record on both sides of the tape.**
Press the button until the "REV" or "REV" indicator is lit.
• When using Reverse Mode, insert the tape so that it will be recorded in the forwards ► direction.
- 3. Prepare the source by, for example, tuning in a radio station, loading CDs, or turning on connected equipment.**
- 4. Press the REC PAUSE button.**
The "REC" indicator blinks.
- 5. Press the ◀ or ▶ button.**
Recording starts in the direction of the button pressed.
• When using Reverse Mode to record both sides of a tape, press the ► button.

Notes for using Reverse Mode for recording

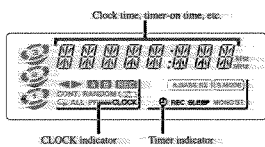
When recording in Reverse Mode, the System automatically stops when it reaches the end of the reverse ◀ direction. To record on both sides of a tape, make sure that the recording direction for the tape inserted into Deck B is forwards ►, and that the Tape Direction indicator is also forwards ►, before you start recording.



Using the Timer



Display



When the System is being used, the display shows other items as well. However, we have only shown the items described in this section.

The timers let you control listening and recording functions automatically. Use the Remote Control to set the clock and timers.

Setting the Clock

The timers depend on the clock; the clock must be right for the timers to work as you expect. You can set the clock whether the Unit is on or off. **Note that the clock must be set, otherwise the timers cannot be set.**

- 1. Press the SHIFT button.**
- 2. Press the CLOCK button.**
The "CLOCK" indicator on the display lights up and the clock time blinks.
- 3. Press the SELECT + or - button to set the time.**
Pressing the SELECT + button increases the time and pressing SELECT - decreases the time. Pressing the button continuously advances or delays the time in 10 minute intervals.
- 4. Press the SET button.**
The blinking time display changes from a blinking display to a steady display and the clock timer starts from 9 seconds.

CAUTION: If there is a power failure, the clock loses its setting. The display shows "0:00", and the clock must be reset.



To Pause at Any Time During the Recording Process

- Press the REC PAUSE button on the Remote Control. Then press either the ◀ or ▶ button on the Remote to the broadcast. In this case, press the CONTINUE button on the Unit to restart recording.

To Stop at Any Time During the Recording Process

Press the REC START/STOP button on the Unit again, or press the ■ button on the Remote Control.

Recording AM (MW/LW) station to tape

When recording an AM (MW/LW) broadcast, beats may be produced which are not heard when listening to the broadcast. In this case, press the CONTINUE button on the CD Player to eliminate the beats.

- Set to AM (MW/LW) station and start recording.
- Press the CONTINUE button to eliminate the beats.
Each time you press the button, the display changes as shown below:
→ CUT-1 → CUT-2 → CUT-3 → CUT-4 → (back to the beginning)

CD Direct Recording

Everything on the CD goes onto the tape in the order it is on the CD, or according to the order you have set in a program.

Prepare CDs. (See page 13.)

If the current playing source is not the CD player, press CD ►/■, then ■ of the CD control before going to the next step.

Insert a cassette in Deck B to record on.

- When you want to record on both sides of a tape, press the REV. MODE button to turn Reverse Mode on.
- Check that the recording direction for the tape and the Tape Direction indicator are correct. (See page 21.) (Notes for using Reverse Mode for recording.)

Press the CD REC START button.

The "REC" indicator light comes on and the System begins recording.

If you make a recording with Reverse Mode on:

If the tape reaches its end while recording a song, the last song will be re-recorded at the beginning of the other side.

To stop at any time during the recording process, press the ■ button.

Note: When making Sleep timer settings while doing CD Direct recording, set the time so that there is enough leeway to finish the recording before the power goes off. If the time is set to about the length of the CD, the power may go off before recording finishes.

For CD Direct Recording using more than one disc, use a blank tape. If you use a prerecorded tape, prerecorded material may not be erased between newly-recorded tracks.

Tape to Tape Recording (Dubbing)

Recording from one tape to another is called dubbing.

You can dub tapes simply, with just a single button.

- When dubbing tapes, make sure that the playback direction of Deck A and Deck B are the same.
- When you want to record both sides of a tape, press the REV. MODE button to turn Reverse mode on.
- It is preferable that the type of tape (Type I or Type II) you record from be the same as the type you record onto.

How to Use the DUBBING Button

- 1. Press the TAPE ◀▶, then the ■ button.**
- 2. Insert the source cassette you want to copy from into Deck A for playback.**
Insert the cassette so that it will be played in the forwards ► direction.
- 3. Insert the blank or erasable cassette you want to copy onto into Deck B for recording.**
Insert the cassette so that it will be recorded in the forwards ► direction.
- 4. Press the DUBBING button.**
Deck A and Deck B will start simultaneously.

To stop dubbing, press the ■ button or REC START/STOP button.

- When doing dubbing with the DUBBING button, you can hear Sound Mode effects through the speakers or headphones. However, the sound is dubbed without Sound Mode effects.

Setting the Timer

You can set the Timer whether the Unit is on or off.

Procedure For Setting the Timer

- 1. Press the SHIFT button.**
- 2. Press the TIMER button.**
The Timer indicator on the display lights up and the blinking "TIMER ON" changes to the On Time setting display.



Set the time you want the Unit to come on.

Press the SELECT + or - button to set the On Time.



Press the SET button.

"TIMER OFF" blinks on the display, and the display changes to the Off Time setting display.



Set the time you want the Unit to be turned off.

Press the SELECT + or - button to set the Off Time.



Press the SET button.

The name of the source blinks in the display.



Press the SELECT + or - button to select the source.

The display changes with each press of the button as shown.



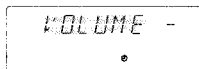
→ TUNER → TUNER REC → CD → TAPE →

- TUNER:** Selects the last station you were listening to.
- TUNER REC:** Records the last station you were listening to.
- CD:** Plays the last CD you were listening to.
- TAPE:** Plays the last tape you were listening to.

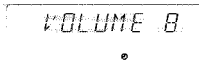
In the source "TUNER", "CD", or "TAPE", the timer acts as a Daily timer. Once the Daily timer has been set, it will be activated at the same time every day until the setting is turned off. In the source "TUNER REC", the timer acts as a Once timer. After the Once timer has been performed, the details of the setting remain stored but the Timer status is set to off.



1. Press the SET button.
The volume level blinks on the display.



2. Press the SELECT + or - button to set the volume level.



3. Press the SET button.
The display returns to the display before you set the timer.

Before Turning the Unit Off

- Check that the selected source is ready.
- If you will be recording a source while you are out, set the volume to 0.

To turn the Timer off, press the SHIFT button and then the TIMER button. The Timer indicator on the display goes out.

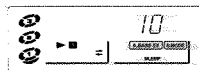
Setting the Sleep Timer

Use the Sleep Timer to turn the Unit off after a certain number of minutes when it is playing. By setting this timer, you can fall asleep while listening to music and know your Unit will turn off by itself rather than play all night.

- You can only set the Sleep Timer when the Unit is on and a source is playing.

To set the Sleep Timer, follow this procedure:

1. With the System on and a source playing, press the SLEEP button on the Remote Control.



2. Set the length of time you want the source to play before shutting off.

- Each time you press this button, it changes the number of minutes shown on the display in this sequence:

→ 10 → 20 → 30 → 60 → 90 → 120 → Cancelled.

When the number of minutes you want shown on the display, just wait 5 seconds until the number of minutes stops blinking, and is lighted steadily. The Unit is now set to turn off after the number of minutes you set.

To Change the Sleep Timer Setting

Press the SLEEP button until the number of minutes you want appears on the display.

To Cancel the Sleep Timer Setting

Press the SLEEP button until the "SLEEP" indicator goes off on the display.

Turning off the Unit also cancels the Sleep Timer.

Care And Maintenance

Compact Discs

Handle your compact discs, cassette tapes, and cassette Deck carefully, and they will last a long time.

- Remove the CD from the case by holding it at the edges while pressing the centre hole lightly.
- Do not touch the shiny surface of the CD, or bend the CD.
- Put the CD back in its case after use to prevent warping.
- Be careful not to scratch the surface of the CD when placing it back in the case.
- Avoid exposure to direct sunlight, temperature extremes, and moisture.
- A dirty CD may not play correctly. If a CD does become dirty, wipe it with a soft cloth in a straight line from centre to edge.

CAUTION: Do not use any solvent (for example, conventional record cleaner, spray thinner, benzene, etc.) to clean a CD.

Moisture Condensation

Moisture may condense on the lens inside the Unit in the following cases:

- After starting the heating in the room.
- In a damp room.
- If the unit is brought directly from a cold to a warm place.

Should this occur, the Unit may malfunction. In this case, leave the unit turned on for a few hours until the moisture evaporates; unplug the AC power cord, and then plug it in again.

General Notes

- In general, you will have the best performance by keeping your tapes, CDs, and the mechanism clean.
- Store tapes and CDs in their cases, and keep them in cabinets or on shelves.
- Keep the Cassette Deck's tape doors and the CD trays closed when not in use.

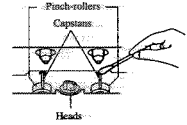
Cassette Tapes

- If the tape is loose in its cassette, take up the slack by inserting a pencil in one of the reels and rotating.
- If the tape is loose, it may get stretched, cut, or caught in the cassette.
- Do not touch the tape surface.
- Do not store the tape:
 - In dusty places.
 - In direct sunlight or heat.
 - In moist areas.
 - On a TV or speaker.
 - Near a magnet.

Cassette Deck

- If the heads, capstans, and pinch-rollers of the Cassette Deck become dirty, the following will occur:
 - Loss of sound quality.
 - Discontinuous sound.
 - Fading.
 - Incomplete erasure.
 - Difficulty recording.

- Clean the heads, capstans, and pinch-rollers using a cotton swab moistened with alcohol.



- If the heads become magnetized, the Unit will produce noise or lose high frequencies.
- To demagnetize the heads, turn off the Unit, and use a head demagnetizer (available at electronics and record shops).

Troubleshooting

- If you are having a problem with your System, check this list for a possible solution before calling for service.
- If you cannot solve the problem from the hints given here, or the Unit has been physically damaged, call a qualified person, such as your dealer, for service.

Symptom	Possible Cause	Action
No sound is heard.	Connections are incorrect, or loose.	Check all connections and make corrections. (See pages 4 - 5.)
Unable to record.	Cassette record protect tabs are removed.	Cover holes on back edge of cassette with tape.
Poor radio reception.	<ul style="list-style-type: none"> The antenna is disconnected. The AM Loop Antenna is too close to the Unit. The FM Wire Antenna is not properly extended and positioned. 	<ul style="list-style-type: none"> Reconnect the antenna securely. Change the position and direction of the AM Loop Antenna. Extend FM Wire Antenna to the best reception position.
The CD skips.	The CD is dirty or scratched.	Clean or replace the CD.
Unable to operate the Remote Control.	<ul style="list-style-type: none"> The path between the Remote Control and the sensor on the Unit is blocked. The batteries have lost their charge. 	<ul style="list-style-type: none"> Remove the obstruction. Replace the batteries.
The CD tray cannot be opened.	The main AC power cord is not plugged in.	Plug in the AC power plug.
The CD does not play.	The CD is upside down.	Put the CD in with the label side up.
Operations are disabled.	The built-in microprocessor has malfunctioned due to external electrical interference.	Unplug the Unit then plug it back in.
The cassette door cannot be opened.	During tape playing, the power cord was unplugged.	Plug in the power cord, press the (EJECT) button, and then press the (EJECT) button.

Specifications

Amplifier

Output Power: 40 watts per channel, min. RMS, both channels driven into 6 ohms at 1 kHz with no more than 10% total harmonic distortion. (IEC 268-3)
27 watts per channel, min. RMS, both channels driven into 6 ohms at 1 kHz with no more than 0.9% total harmonic distortion. (DIN)

Input Sensitivity/Impedance (1 kHz)

AUX: 300 mV/50 kohms

Speaker terminals: 6 - 16 ohms

Tuner

FM Tuner

Tuning Range: 87.50 - 108.00 MHz

AM Tuner

Tuning Range: MW: 522 - 1,629 kHz

LW: 144 - 288 kHz

CD Automatic Changer

CD Capacity: 3 discs

Dynamic Range: 85 dB

Signal-To-Noise Ratio: 90 dB

Wow And Flutter: Unmeasurable

Cassette Deck

Frequency Response

Type I (NORMAL): 50 - 14,000 Hz

Type II (C/O): 50 - 14,000 Hz

Wow And Flutter: 0.15% (WRMS)

General

Dimensions: 265 x 295 x 361 mm (W/H/D)

(10 3/8 x 11 5/8 x 14 1/4 inches)

Mass: 8 kg (17.7 lbs.)

Power Specifications

Power Requirement: AC 230 V (50, 60 Hz)

Power Consumption: 85 watts

9 watts (in standby mode)

Accessories

AM (MW/LW) Loop Antenna (1)

Remote Control (1)

Batteries R6S/R6P (SUM-3)/AA (15F) (2)

FM Wire Antenna (1)

Design and specifications are subject to change without notice.

MX-J10

-MEMO-

Disassembly method

<Main body>

■ Removing the Metal Cover(see Fig.1 to 3)

1. Remove the six A screws attaching the metal cover on the back of the body.
2. Remove the two B screws attaching the metal cover on both sides of the body.
3. Remove the metal cover from the body by lifting the rear part of the cover.

ATTENTION: Do not break the front panel tab fitted to the metal cover.

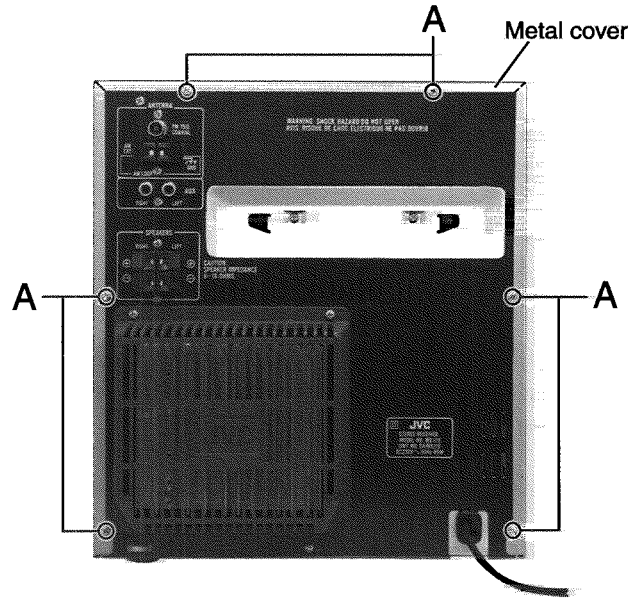


Fig.1

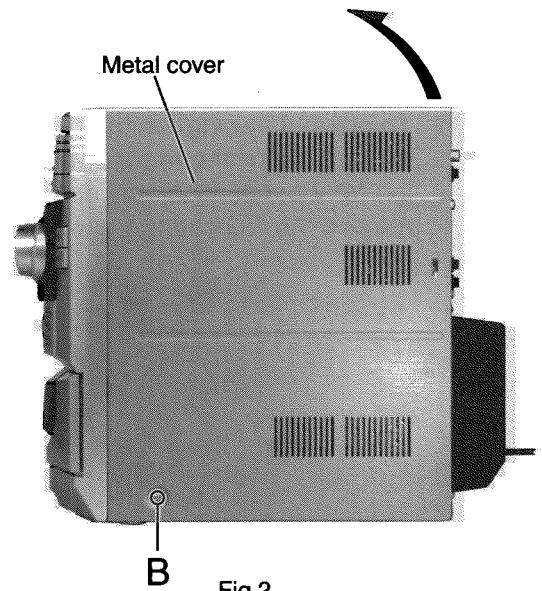


Fig.2

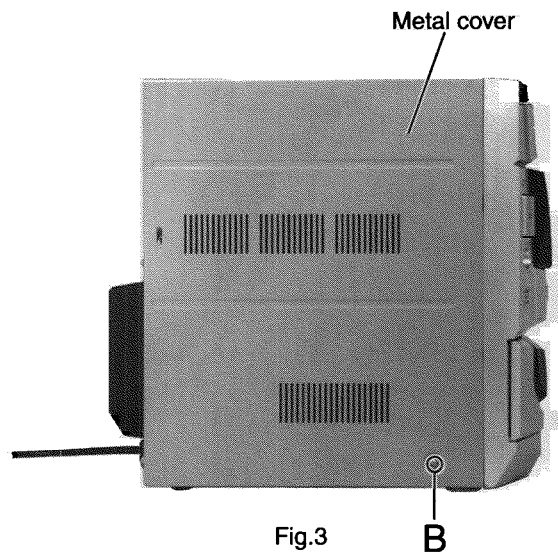


Fig.3

■ Removing the CD Changer Mechanism Assembly(see Fig.4 to 7)

• Prior to performing the following procedure, remove the metal cover.

1. Disconnect the connector CN304, CN305 and CN303 of the card wires connecting the CD changer mechanism board and the main board.
2. Remove the two C screws on the upper side of the CD changer assembly and the two D screws on the back of the rear panel.
3. Remove the plastic rivet attaching the main board.
4. Cut the wire clamp fixing the flat wire under the CD changer mechanism assembly.
5. Pull the rear panel and the front panel assembly to the outside, then remove the CD changer mechanism assembly by lifting the rear part of the assembly.

ATTENTION: To prevent damage to the CD fitting, be sure to pull the rear panel and the front panel assembly enough to remove the CD changer mechanism.

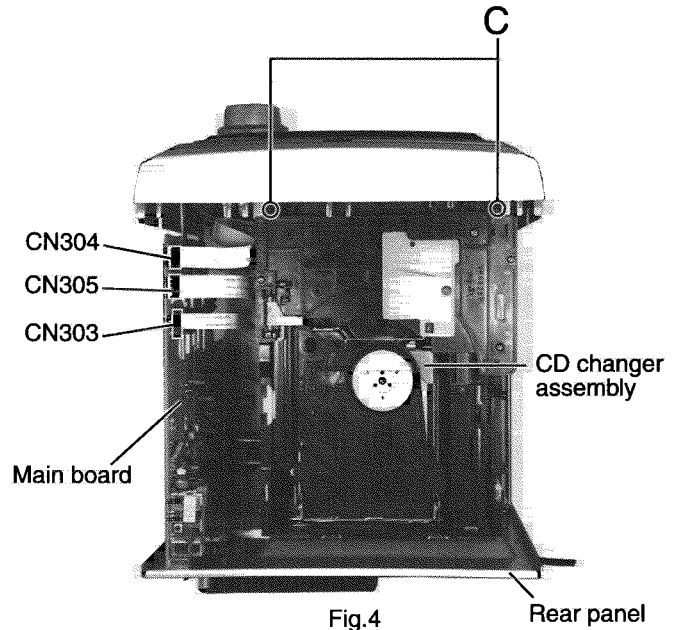


Fig.4

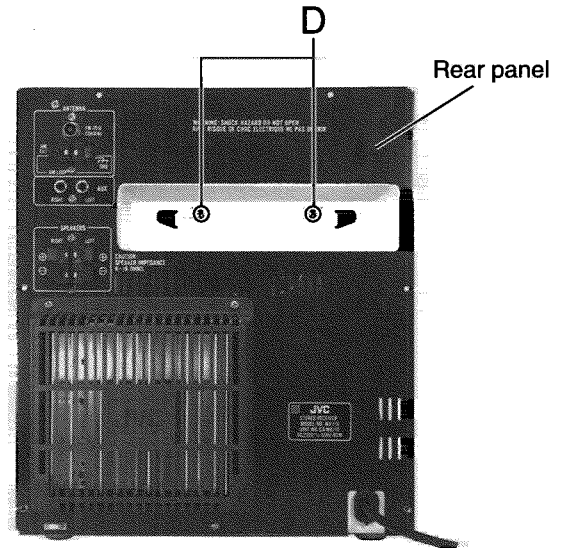


Fig.5

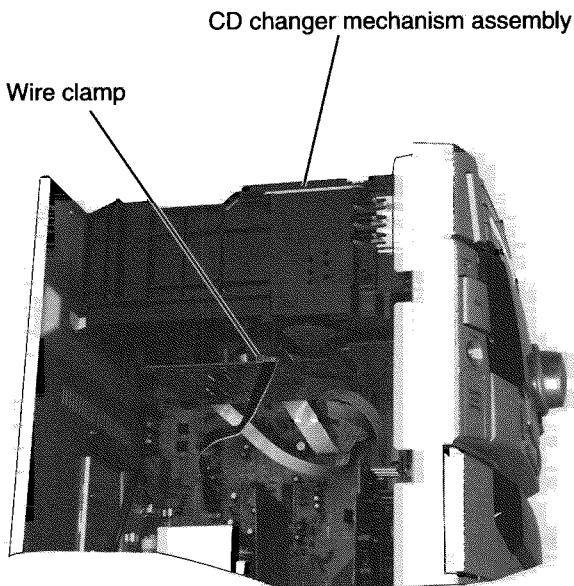


Fig.7

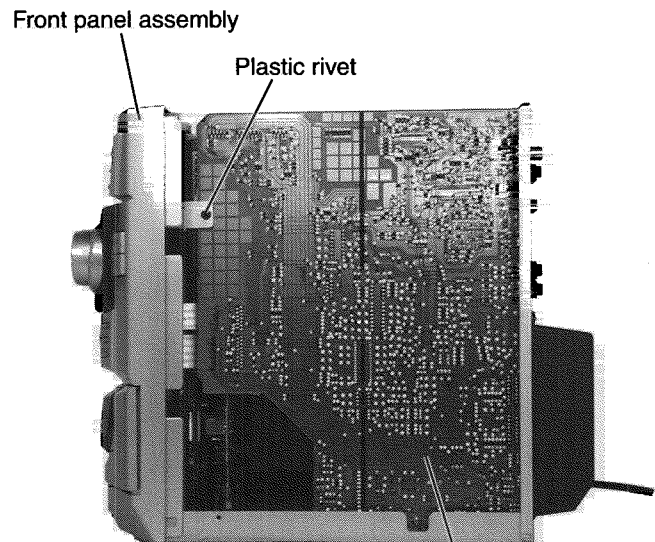


Fig.6

< Front Assembly >

■ Removing the Front Panel Assembly
(see Fig.8 to 10)

· Prior to performing the following procedure, remove the metal cover and CD changer mechanism assembly.

1. Disconnect the card wires from connector CN302, CN306A and CN306B and the flat wire from CN307 on the main board.
2. Remove the two E screws attaching the front panel assembly on the bottom of the body.
3. Release the two joints a and b on the lower right and left sides of the body using a screwdriver, and remove the front panel assembly toward the front.

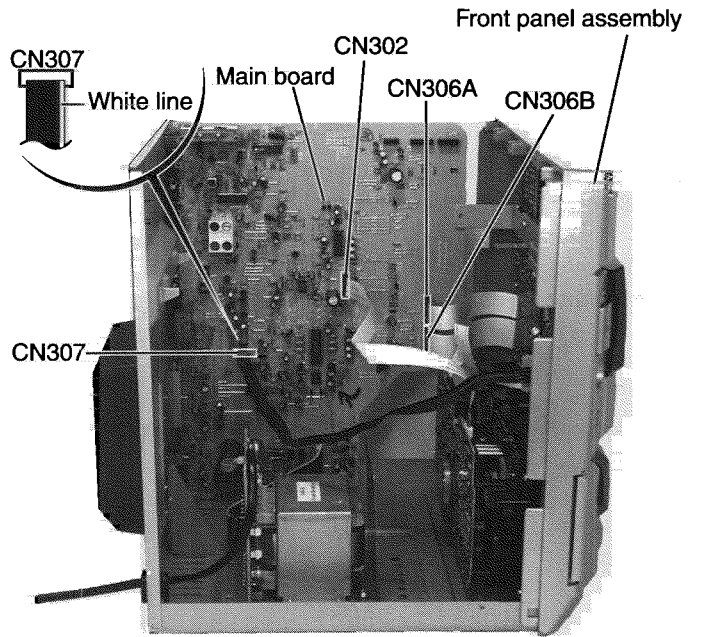


Fig.8

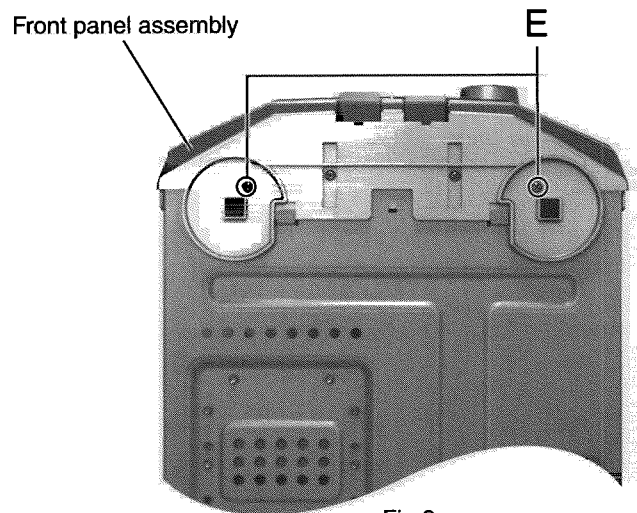
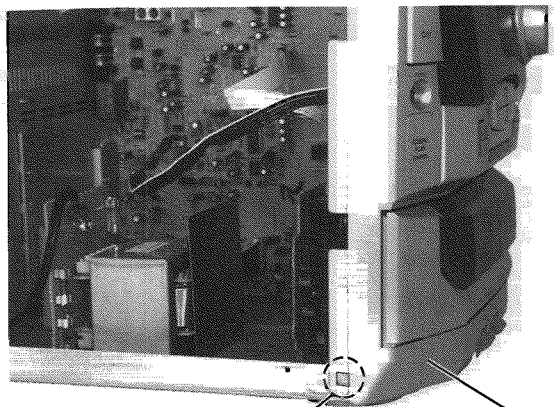
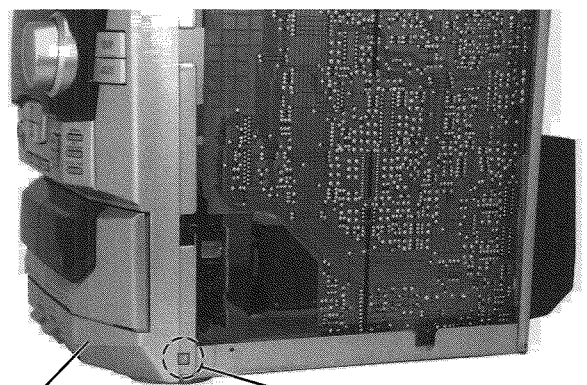


Fig.9



Joint a

Fig.10a



Joint b

Fig.10b

Front panel assembly

■ Removing the Cassette Mechanism Assembly(see Fig.11)

1. Disconnect the card wire from connector CN306 on the head amplifier & mechanism control board of the cassette mechanism assembly.
2. Remove the four F screws and four H screws attaching the cassette mechanism assembly.

■ Removing Each Board of the Front Panel Assembly(see Fig.11 to 14)

1. Remove the four G screws attaching the stay bracket.
2. In case that the cassette mechanism assembly is attached, disconnect the card wire from connector CN306 on the head amplifier & mechanism control board of the cassette mechanism assembly.
3. Pull out the volume knob toward the front and remove the nut.
4. Remove the nine R screws attaching the LCD board.
5. Remove the seven screws I and S attaching the function SW board.
6. Remove the screw J attaching the phones board.

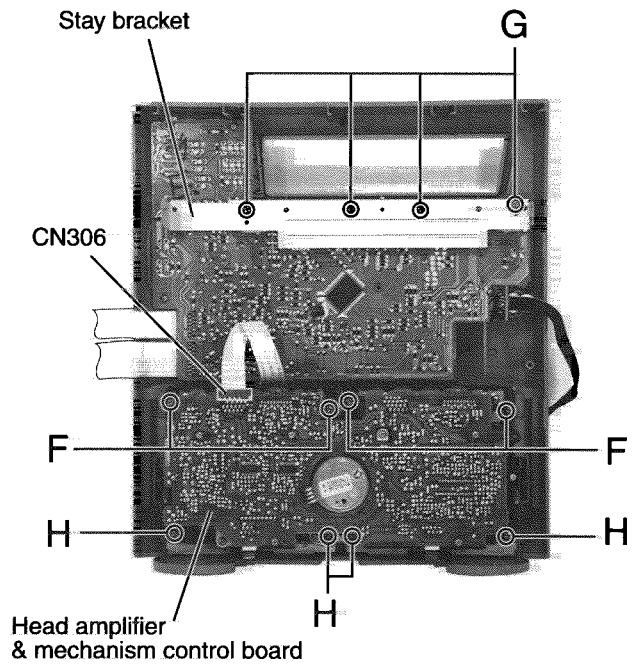


Fig.11

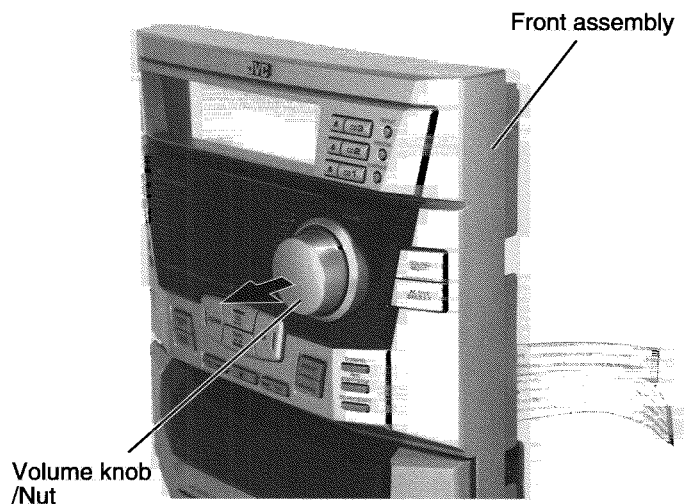


Fig.12

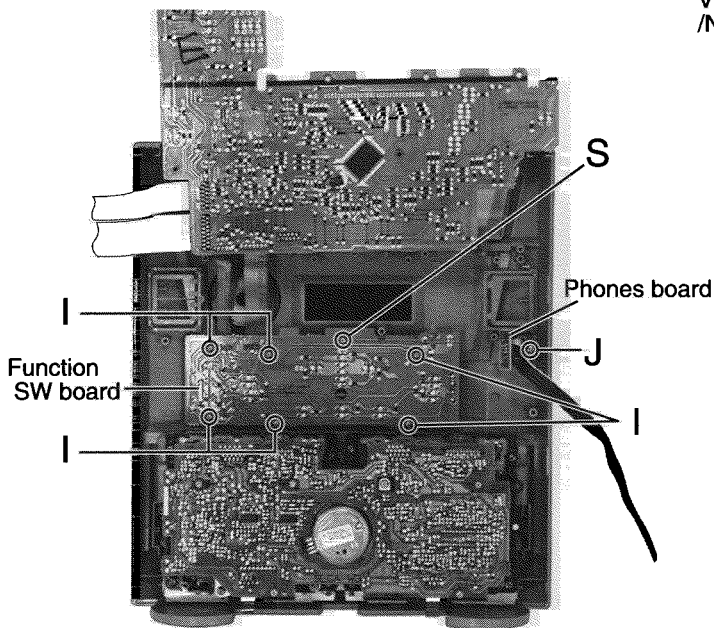


Fig.14

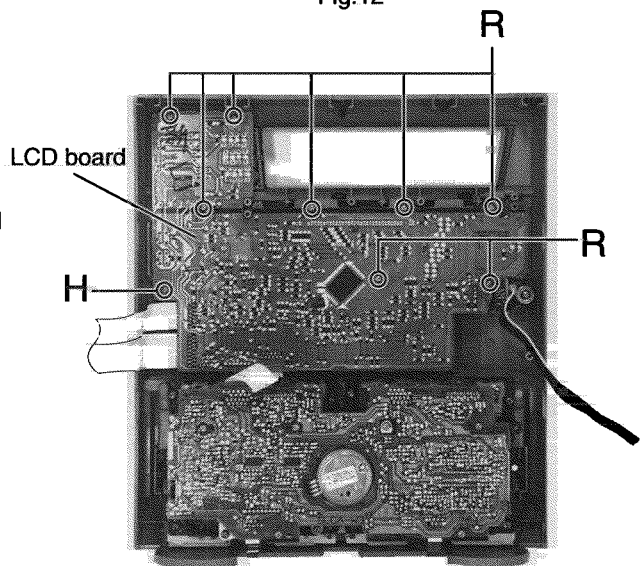


Fig.13

<Rear Panel Assembly>

- Prior to performing the following procedure, remove the metal cover and CD changer mechanism assembly.
- The following procedure can be performed even if the front panel assembly is attached.

■ Removing the Rear Cover(see Fig.15)

1. Remove the two K screws attaching the rear cover on the back of the body.

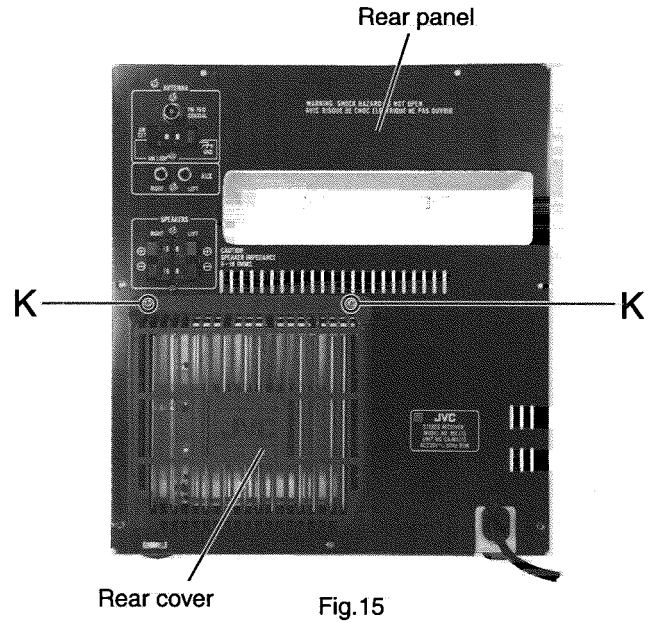


Fig.15

■ Removing the Rear Panel

(see Fig.15 to 17)

- Prior to performing the following procedure, remove the rear cover.
1. Remove the four L screws attaching the heat sink and the rear panel on the back of the body.
 2. Remove the five M screws attaching the main board and the rear panel.
 3. Remove the screw N and one T screw attaching the main body and the rear panel.
 4. The two joints d and e on the lower part of the rear panel using a screwdriver, and remove the rear panel backward.

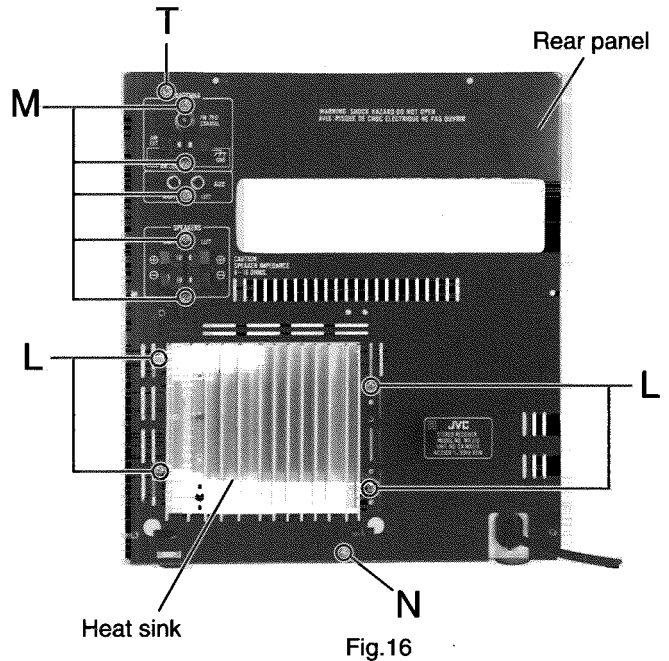


Fig.16

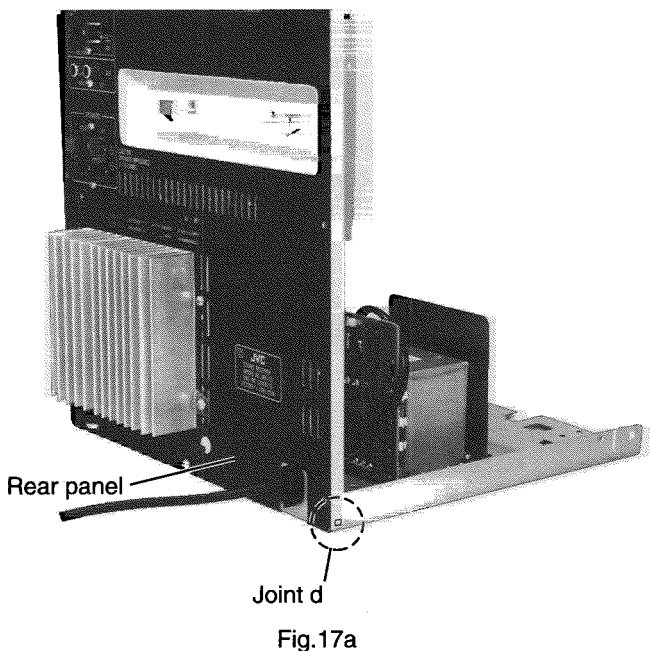


Fig.17a

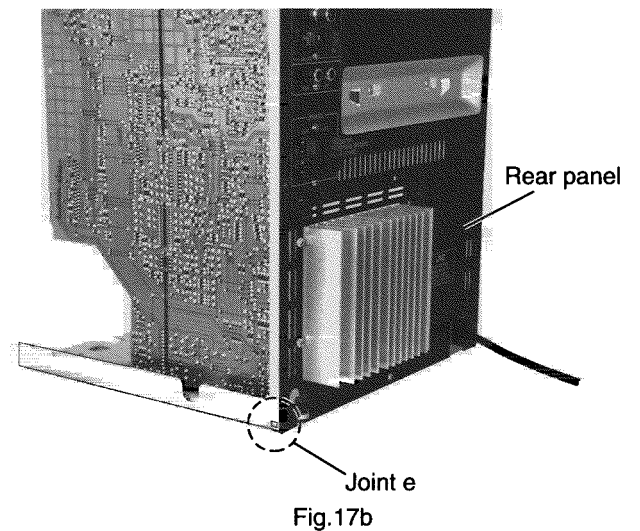


Fig.17b

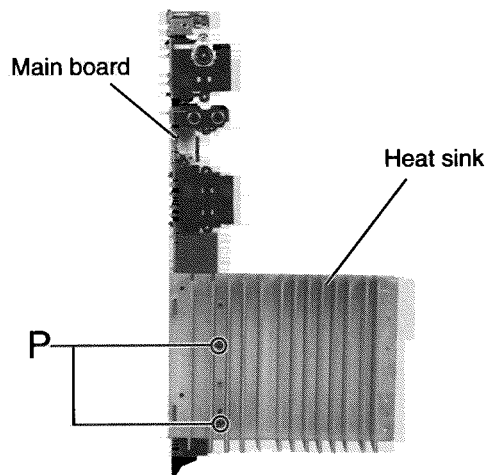
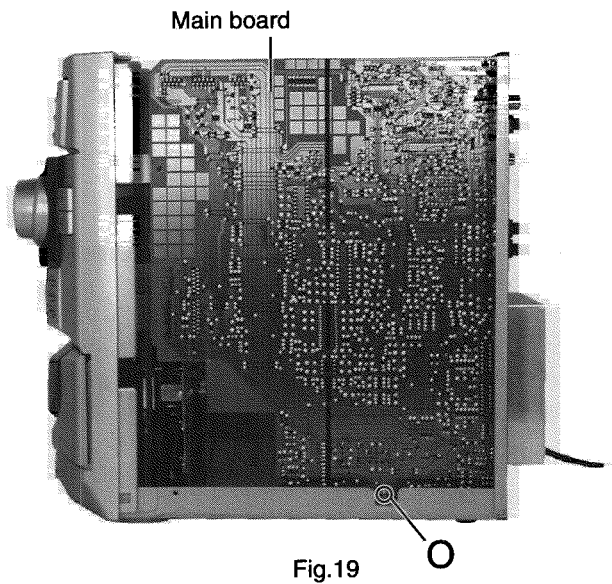
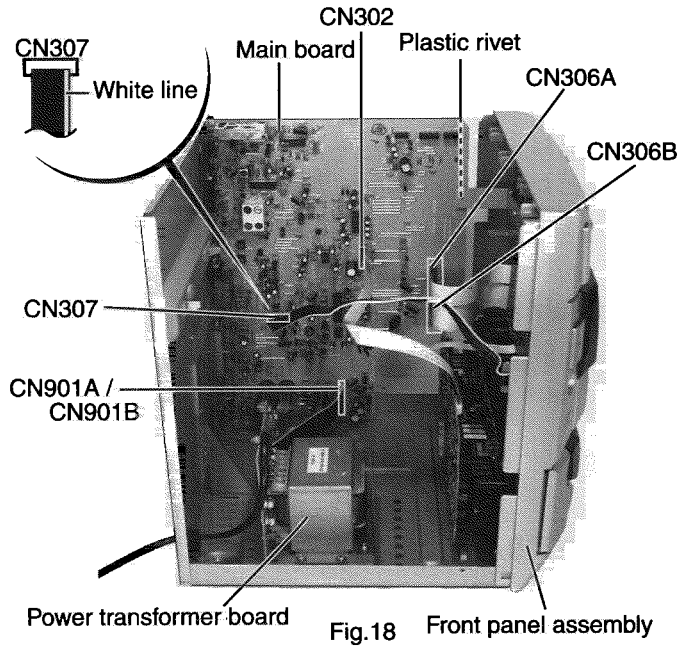
■ Removing the Main Board

(see Fig.18 to 20)


• Prior to performing the following procedure, remove the metal cover, the CD changer mechanism assembly and the rear panel.

1. Disconnect the card wires from connector CN302, CN306A and CN306B on the main board and the flat wires from connector CN307, CN901A and CN901B.
2. Remove the plastic rivet attaching the main board.
3. Remove the screw O attaching the main board on the right side of the body.
4. When removing the heat sink from the main board, remove the two P screws attaching the heat sink and detach the bracket together with the heat sink.

ATTENTION: When conducting electricity to the main board, make sure that the heat sink is attached to the main board.



■ **Removing Only the Main Board without Removing Each Assembly**
(see Fig.18 to 21)

- Prior to performing the following procedure, remove the metal cover.
1. Disconnect the card wires from connector CN303, CN304 and CN305 on the main board (The card wires are extending from the CD changer mechanism assembly).
 2. Disconnect the card wires from connector CN306A and CN306B on the main board (The card wires are extending from the LCD board of the front assembly).
 3. Disconnect the flat wire from connector CN307 on the main board (The flat wire is extending from the phone board of the front assembly).
 4. Disconnect the card wire from connector CN302 on the main board (The card wire is extending from the cassette mechanism assembly of the front assembly).
 5. Disconnect the flat wire from connector CN901A and CN901B on the main board (The flat wire is extending from the power transformer board).
 6. Detach the rear cover from the rear panel and remove the screws attaching the main board and the heat sink(Refer to Fig.15 to 17).
 7. Remove the screw  and the plastic rivet attaching the main board on the right side of the body.

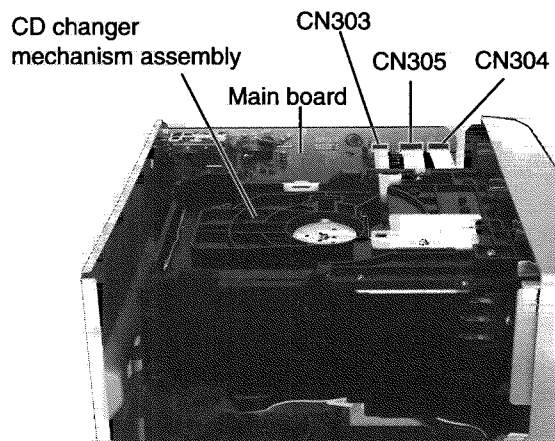


Fig.21

■ **Removing the Power Transformer Board**
(see Fig.22)

• Prior to performing the following procedure, remove the metal cover, the CD changer mechanism assembly and the rear panel.

1. Disconnect the flat wire from connector CN901A and CN901B on the main board and release them from the stopper.
2. Remove the four Q screws attaching the power transformer assembly.
3. Push the cord stopper upward to remove it.

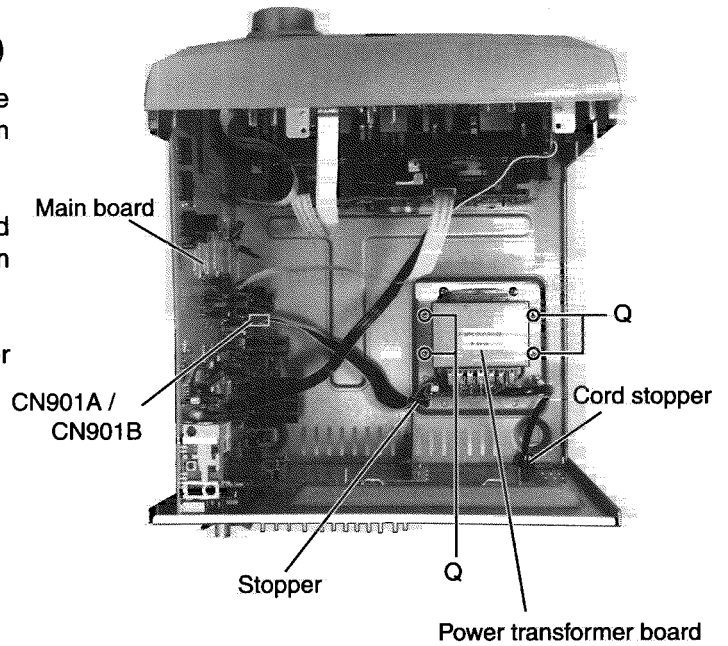


Fig.22

< **Cassette Mechanism Section** >

■ **Removing the Playback, Recording and Eraser Heads (See Fig.1~3)**

1. While shifting the trigger arms seen on the right side of the head mount in the arrow direction, turn the flywheel R in counterclockwise direction until the head mount has gone out with a click (See Fig. 1).
2. When the flywheel R is rotated in counterclockwise direction, the playback head will be turned in counterclockwise direction from the position in Fig.2 to that in Fig.3.
3. At this position, disconnect the flexible P.C.board (outgoing from the playback head) from the connector CN301 on the head amp. and mechanism control P.C. board.
4. After dismantling the FPC holder, remove the flexible P.C.board.
5. Remove the flexible P.C.board from the chassis base.
6. Remove the spring "a" from behind the playback head.
7. Loosen the reversing azimuth screw retaining the playback head.
8. Take out the playback head from the front of the head mount.
9. The recording and eraser heads should also be removed similarly according to Steps 1~8 above.

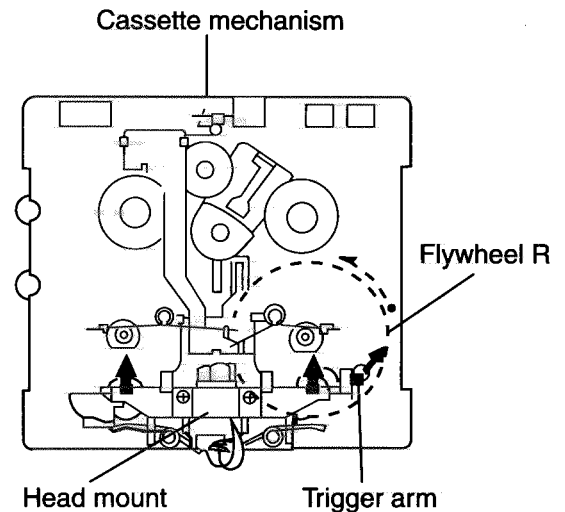


Fig.1 (Mechanism A side)

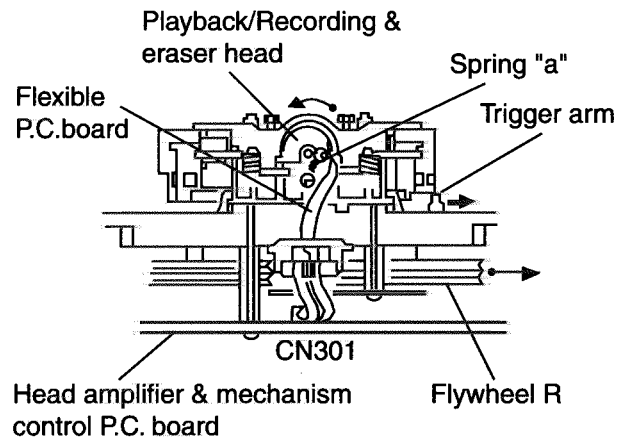


Fig.2 (Mechanism A side)

● **Reassembling the Playback, Recording and Eraser Heads (See Fig.2,3)**

1. Reassemble the playback head from the front of the head mount to the position as shown in Fig.3.
2. Fix the reversing azimuth screw.
3. Set the spring a from behind the playback head.
4. Attach the flexible P.C.board to the chassis base, and fix it with the FPC holder as shown in Fig.3.
5. The recording and eraser heads should also be reassembled similarly according to Steps 1~4 above.

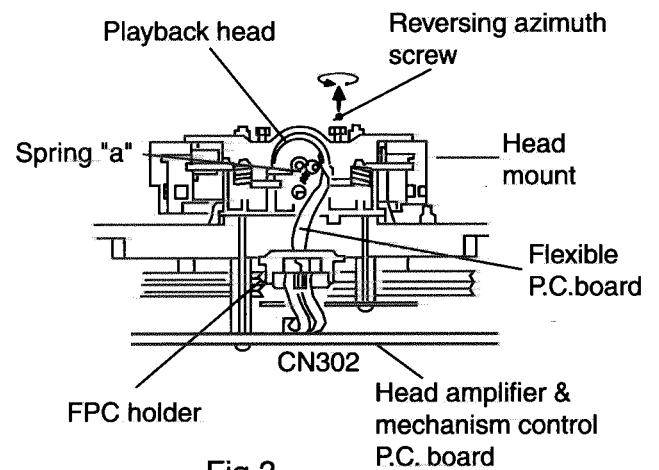


Fig.3 (Mechanism B side)

■ Removing the head Amp. and Mechanism Control P.C. Board (See Fig. 4)

1. Remove the cassette mechanism assembly.
2. After turning over the cassette mechanism assembly, remove the five screws "A" retaining the head amp. and mechanism control P.C. board
3. Disconnect the connectors CN303 and CN304 on the P.C. Board and the connectors CN1 on both the right and left side reel pulse P.C. Boards.
4. When necessary, remove the 4pin parallel wire soldered to the main motor

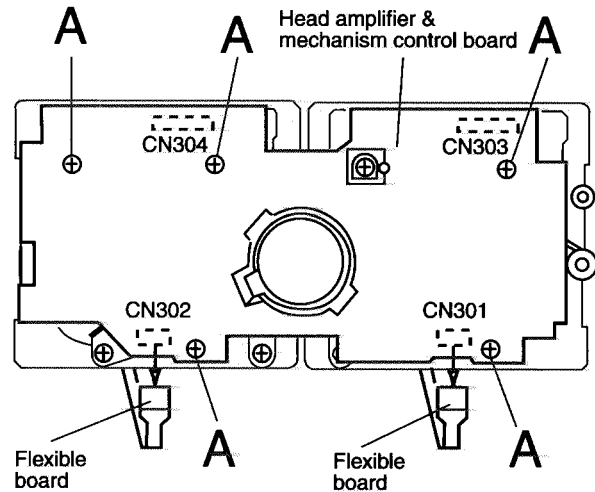


Fig.4

■ Removing the Capstan Motor Assembly

1. Remove the six screws "B" retaining capstan motor assembly (See Fig. 5).
2. While raising the capstan motor, remove the capstan belts A and B respectively from the motor pulley (See Fig. 6).

Caution 1: Be sure to handle the capstan belts so carefully that these belts will not be stained by grease and other foreign matter. Moreover, these belts should be hand while referring to the capstan belt hanging method.

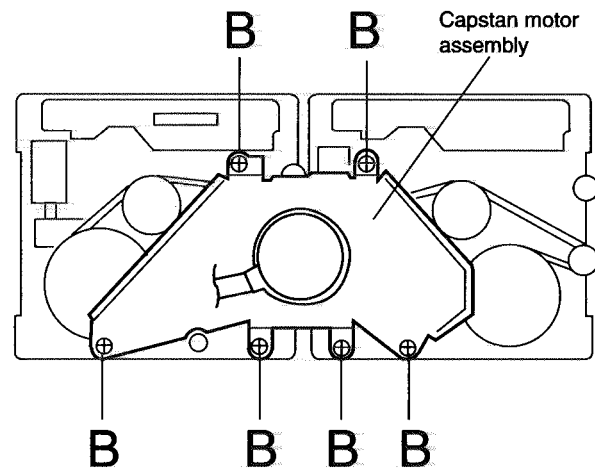


Fig.5

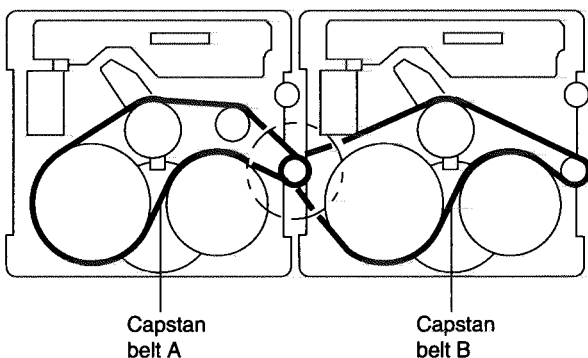


Fig.7

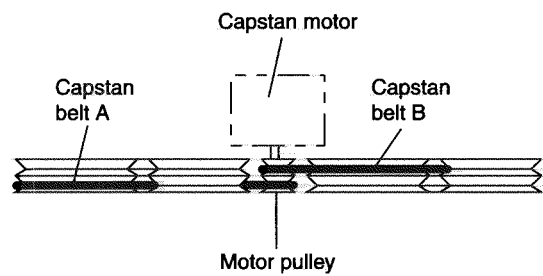


Fig.6

■ Removing the Capstan Motor (See Fig. 8)

From the joint bracket, remove the two screws "C" retaining the capstan motor.

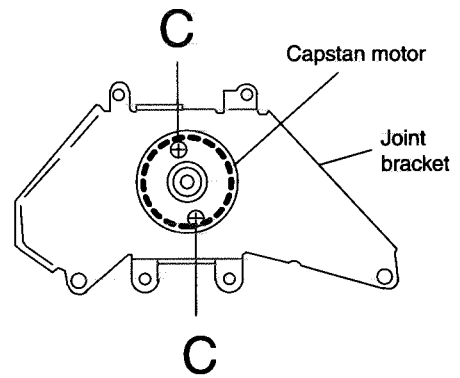


Fig.8

■ Removing the Flywheel (See Fig. 9,10)

- 1.Remove the head amp. and mechanism control P.C.Board.
- 2.Remove the capstan motor assembly.
- 3.After turning over the cassette mechanism, remove the slit washers "a" and "b" fixing the capstan shafts R and L, and pull out the flywheels R and L respectively from behind the cassette mechanism.

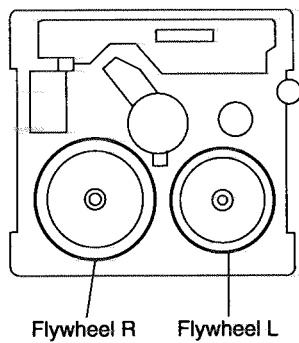


Fig.10

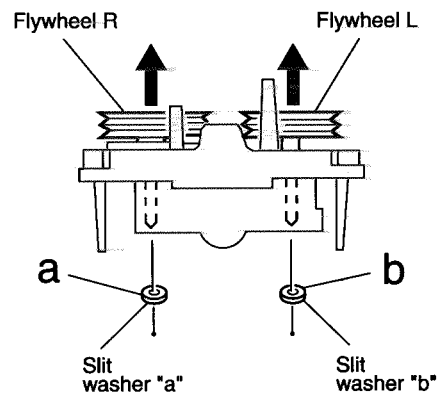


Fig.9

■ Removing the Reel Pulse P.C.Board and Solenoid (See Fig. 11)

- 1.Remove the five pawls (c,d,e,f,g) retaining the reel pulse P.C.Board.
- 2.From the surface of the reel pulse P.C.Board parts, remove the two pawls "h" and "i" retaining the solenoid.

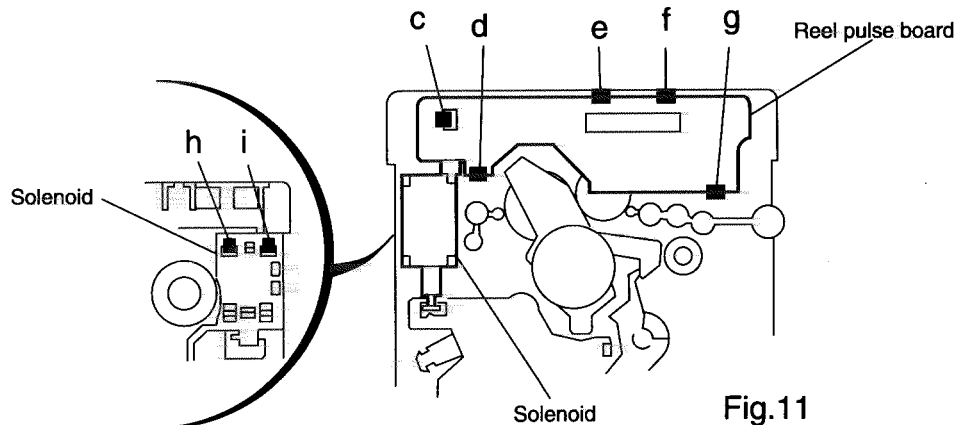


Fig.11

«CD Traverse Mechanism Type:C3CN Section »

**■ Removing the CD Servo control board
(See Fig.1)**

1. Remove the Metal cover.
2. Remove the CD Traverse mechanism assembly.
3. From bottom side the CD Traverse mechanism assembly, remove the one screw 1 retaining the CD Servo control board.
4. From the connectors CN601, CN603, CN604 on the CD Servo control board, disconnect the card wire, from the connector CN602, disconnect the six pin connector wire.
5. Disengage the two engagements "A", remove the CD Servo control board.

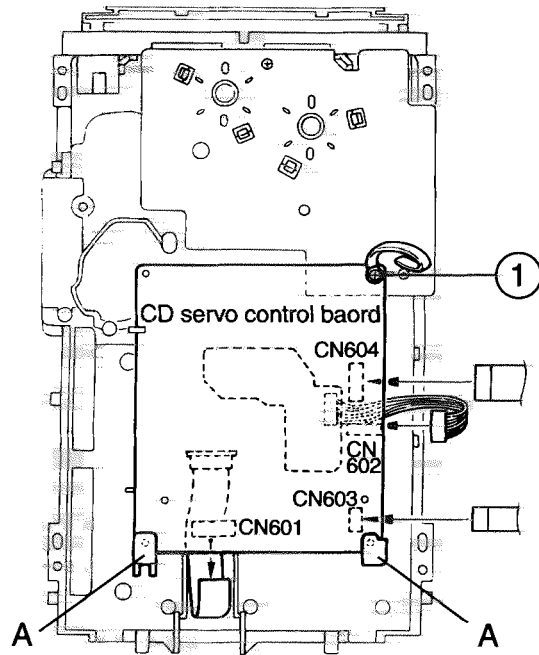


Fig.1

**■ Removing the CD tray assembly
(See Fig.2~4)**

1. Remove the front panel assembly.
2. Remove the CD Traverse mechanism assembly.
3. Remove the CD Servo control board.
4. Remove the screw 2 retaining the Disc stopper (See Fig.3).
5. Remove the three screws 3 retaining the T.bracket (See Fig.3).
6. From the clamber base section "C", remove both of the edges fixing the rod (See Fig.2 and 3).
7. Remove the screw 4 retaining the clamber assembly (See Fig.3).
8. From the left side face of the chassis assembly, remove the one screw 5 retaining both of the return spring and lock lever (See Fig. 4).
9. By removing the pawl at the section "D" fixing the return spring, dismount the return spring (See Fig.4).
10. Remove the three lock levers (See Fig.4).

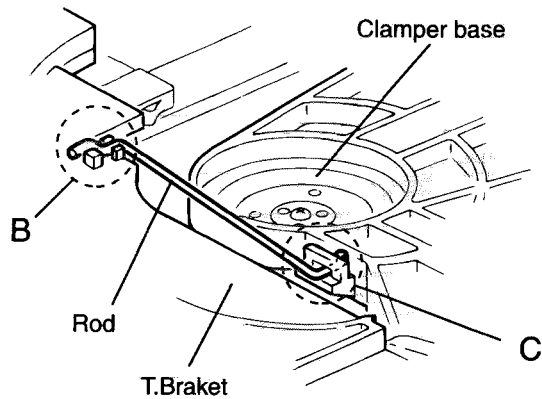


Fig.2

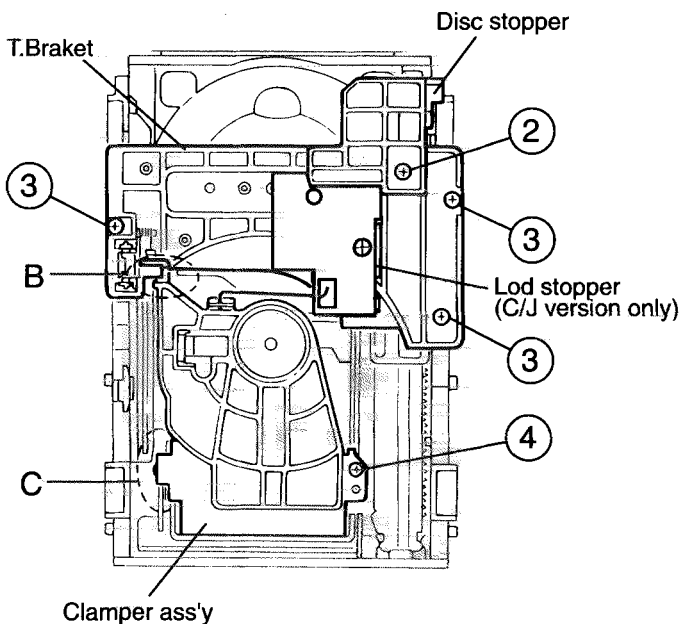


Fig.3

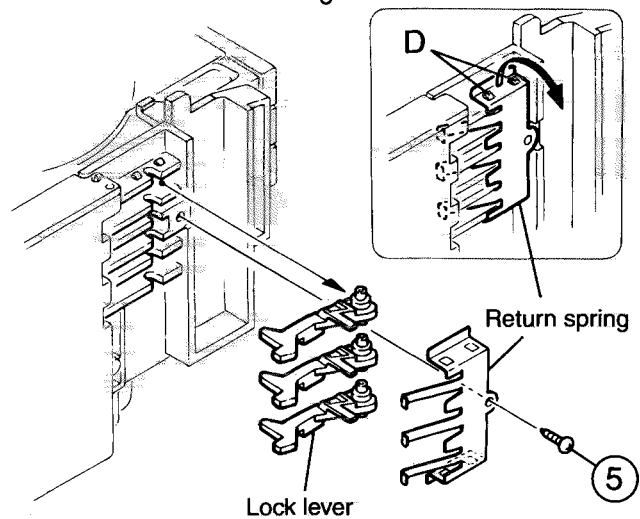


Fig.4

11. Check whether the lifter unit stopper has been caught into the hole at the section "E" of CD tray assembly as shown in Fig.5.
12. Make sure that the driver unit elevator is positioned as shown in Fig.6 from to the second or fifth hole on the left side face of the CD Traverse mechanism assembly.

[Caution] In case the driver unit elevator is not at above position, set the elevator to the position as shown in Fig.7 by manually turning the pulley gear as shown in Fig.8.

13. Manually turn the motor pulley in the clockwise direction until the lifter unit stopper is lowered from the section "E" of CD tray assembly(See Fig.8).
14. Pull out all of the three stages of CD tray assembly in the arrow direction "F" until these stages stop (See Fig.6).
15. At the position where the CD tray assembly has stoppend, pull out the CD tray assembly while pressing the two pawls "G and G'" on the back side of CD tray assembly(See Fig.9). In this case, it is easy to pull out the assembly when it is pulled out first from the stage CD tray assembly.

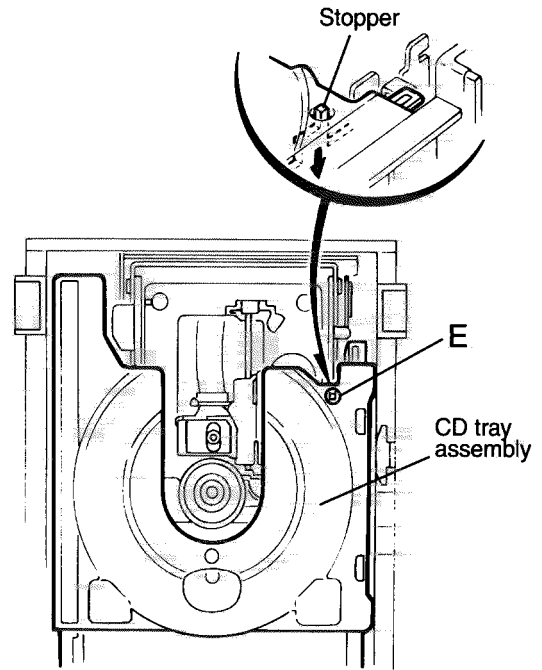


Fig.5

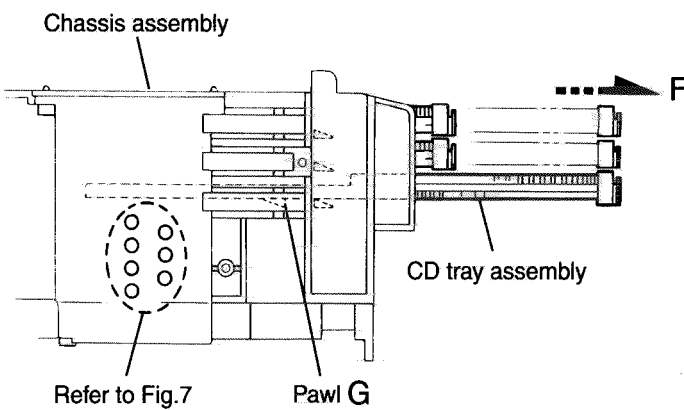


Fig.6

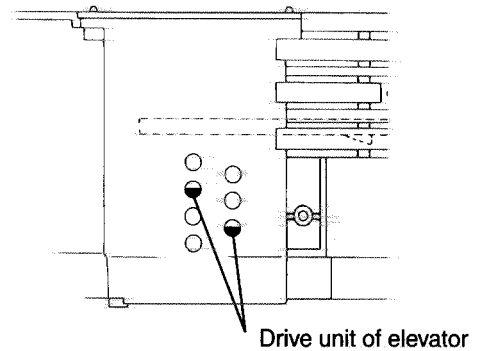


Fig.7

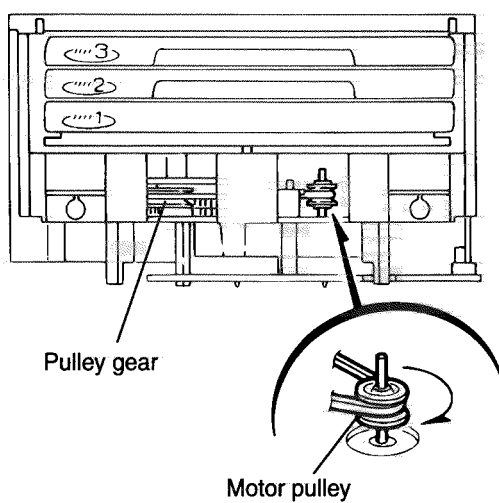


Fig.8

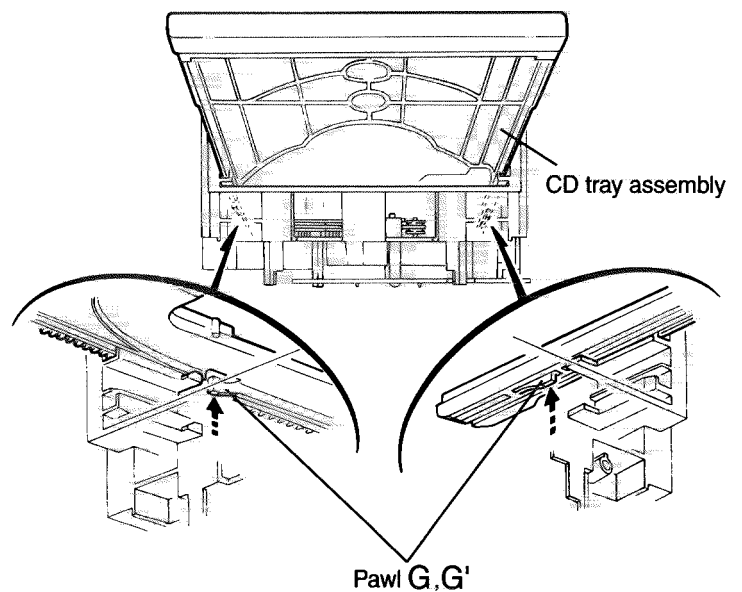


Fig.9

Removing the CD mechanism assembly(See Fig.10)

1. While turning the cams R1 and R2 assembly in the arrow direction "H" , align the shaft "I" of the CD mechanism assembly to the position shown in Fig.10.
2. Remove the four screw 6 retaining the CD mechanism assembly.

Removing the CD mechanism (See Fig.11 and 12)

1. For dismounting only the CD machanism without removing the CD mechanism assembly, align the shaft "J" of the CD mechanism assembly to the position shown Fig.11 while turning the cam R1 and R2 assembly in the arrow direction "K" .
2. By raising the CD mechanism assembly in the arrow direction "L" , remove the assembly from the lifter unit (See Fig.12).

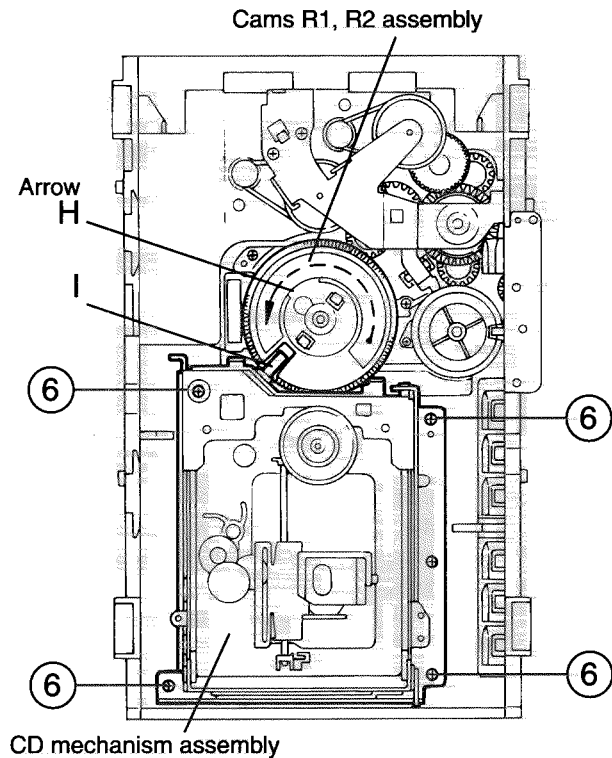


Fig.10

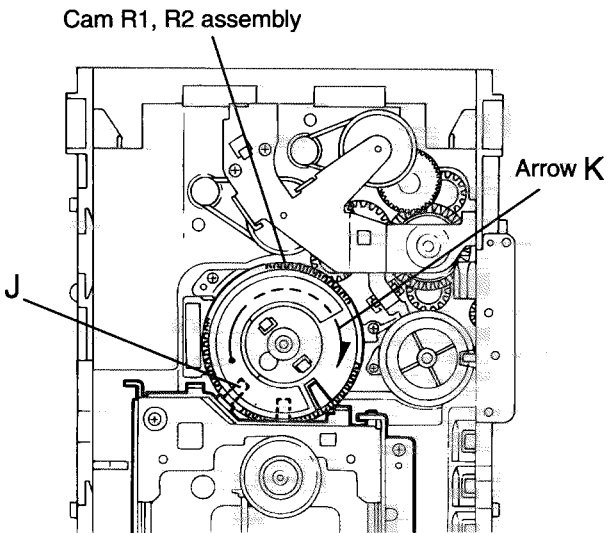


Fig.11

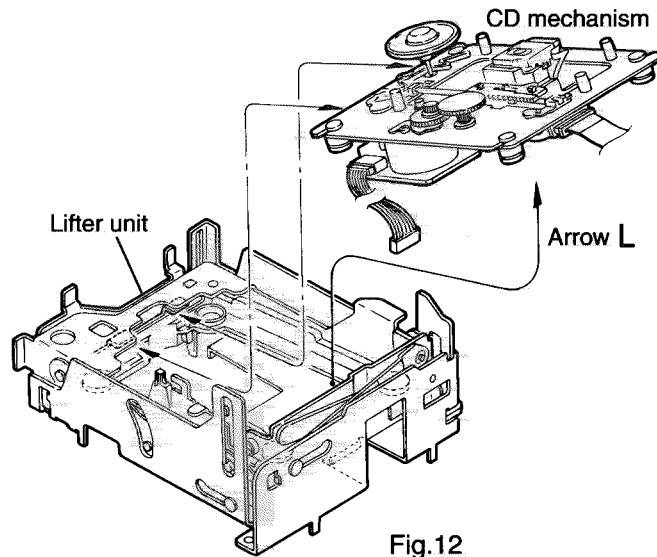


Fig.12

Removing the CD pick unit (See Fig.13)

1. Move the cam gear in the arrow direction a . Then, the CD pickup unit will be moved in the arrow direction b .
2. According to the above step, shift the CD pickup unit to the center positior.
3. While pressing the stopper retaining the shaft in the arrow direction c , pull out the shaft in the arrow direction d .
4. After dismounting the shaft from the CD pickup unit, remove the CD pickup unit

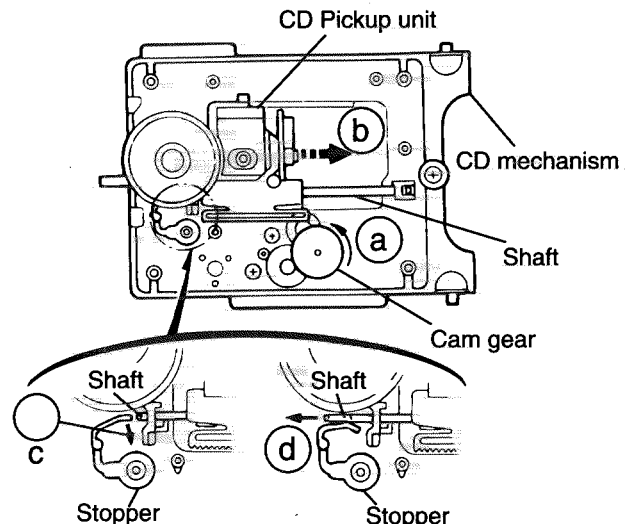


Fig.13

**■ Removing the actuator motor board
(See Fig.14, 15)**

1. Absorb the four soldered positions "M" of the right and left motors with a soldering absorber(See Fig.14).
2. Remove the two screws 7 retaining the actuator motor board(See Fig.14).
3. Remove the two screws 8 retaining the tray select switch board(See Fig.15).

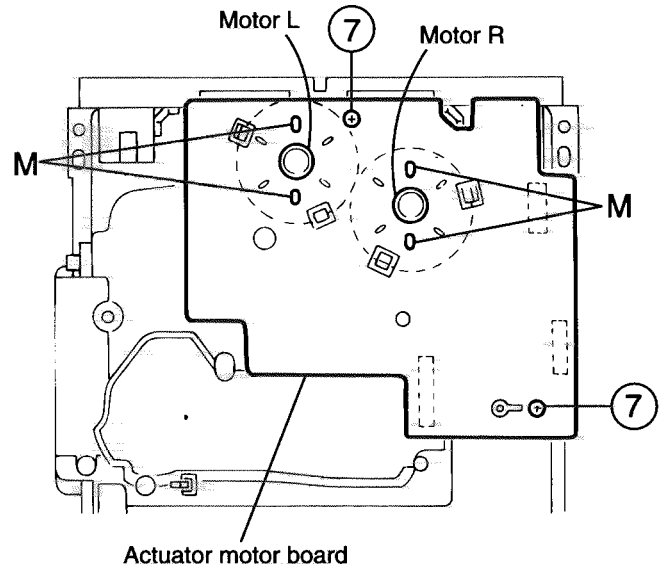


Fig.14

**■ Removing the cam unit
(See Fig.15 ~18)**

1. Remove the CD mechanism assembly.
2. While turning the cam gear L, align the pawl "N" position of the drive unit to the notch position(Fig.15) on the cam gear L.
3. Pull out the drive unit and cylinder gear(See Fig.17).
4. While turning the cam gear L, align the pawl "O" position of the select lever to the notch position(Fig.18) on the cam gear L.
5. Remove the four screws 9 retaining the cam unit(cam gear L and cams R1/R2 assembly)(See Fig.18).

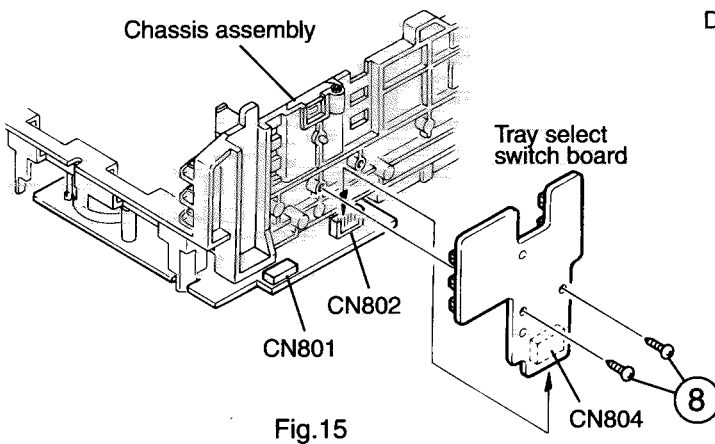


Fig.15

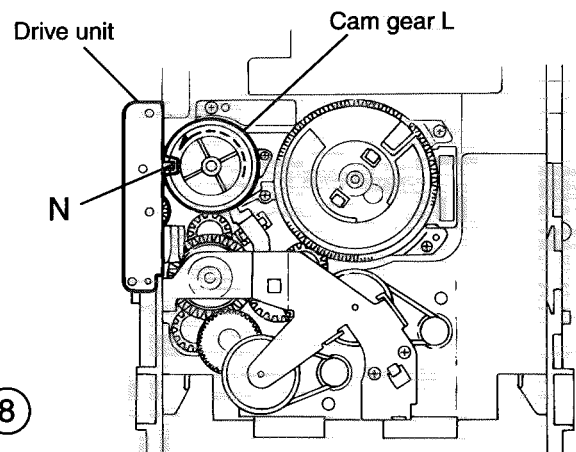


Fig.16

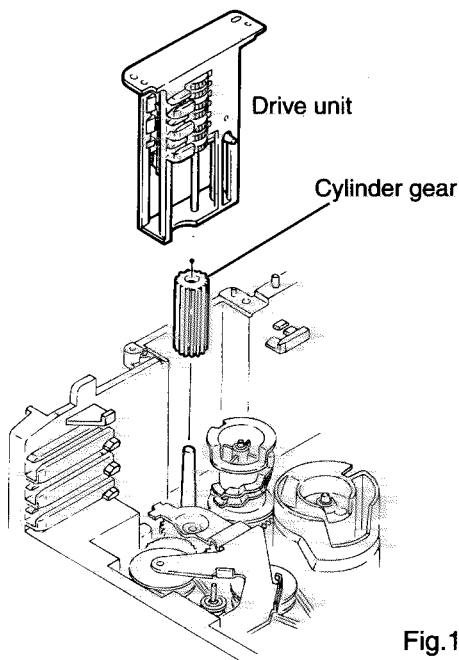


Fig.17

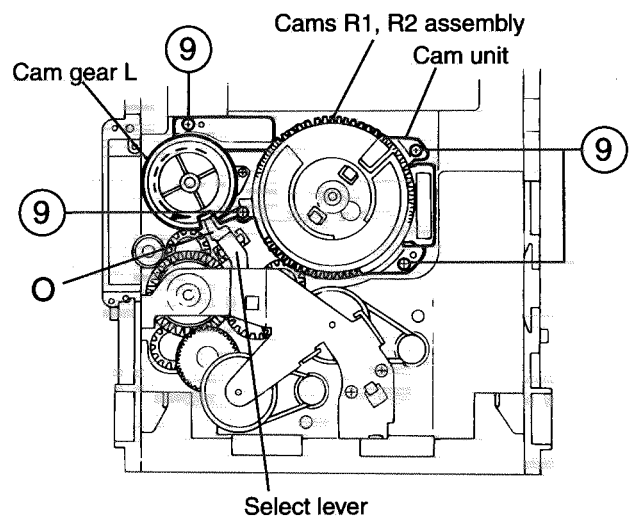


Fig.18

**■ Removing the actuator motor and belt
(See Fig.19~22)**

1. Remove the two screws 10 retaining the gear bracket (See Fig.19).
2. While pressing the pawl "P" fixing the gear bracket in the arrow direction, remove the gear bracket (See Fig.19).
3. From the notch "Q section" on the chassis assembly fixing the edge of gear bracket, remove and take out the gear bracket(See Fig. 20).
4. Remove the belts respectively from the right and left actuator motor pulleys and pulley gears(See Fig. 19).
5. After turning over the chassis assembly, remove the actuator motor while spreading the four pawls "R" fixing the right and left actuator motors in the arrow direction(See Fig. 21).

[Note] When the chassis assembly is turned over under the conditions wherein the gear bracket and belt have been removed, then the pulley gear as well as the gear, etc. constituting the gear unit can possibly be separated to pieces. In such a case, assemble these parts by referring to the assembly and configuration diagram in Fig. 22.

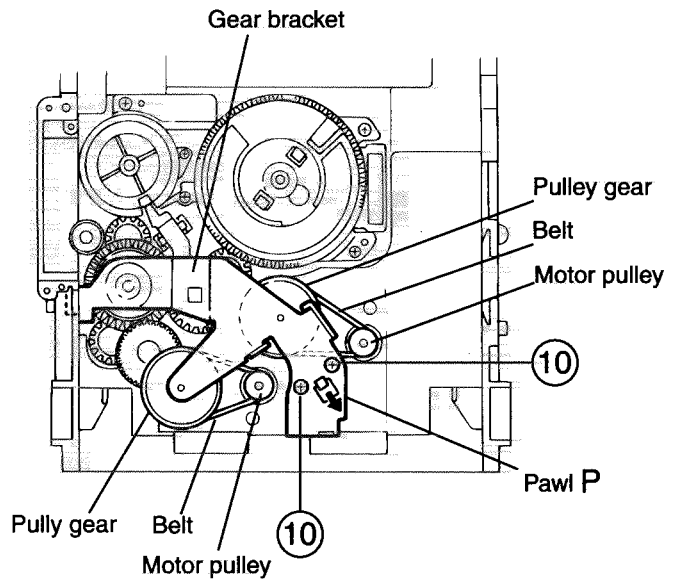


Fig.19

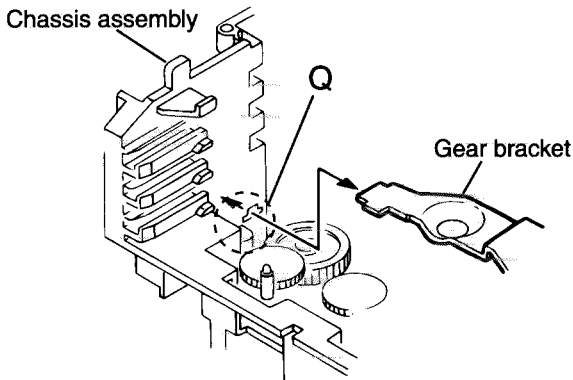


Fig.20

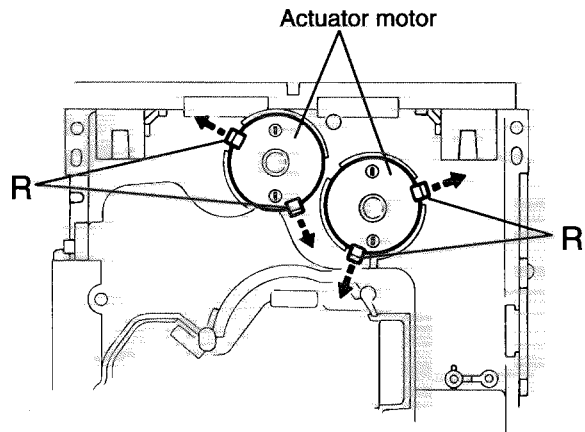


Fig.21

Assembly and Configuration Diagram

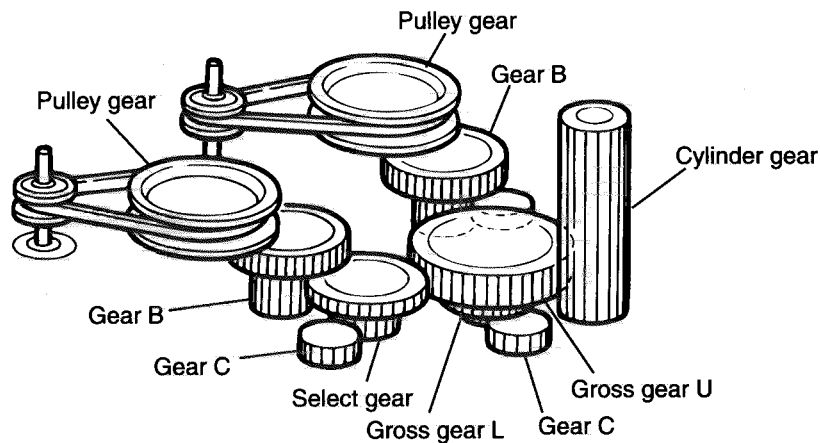


Fig.22

■Removing the cams R1/R2 assembly and cam gear L(See Fig.23)

1. Remove the slit washer fixing the cams R1 and R2 assembly.
2. By removing the two pawls "S" fixing the cam R1, separate R2 from R1.
3. Remove the slit washer fixing the cam gear L.
4. Pull out the cam gear L from the C.G. base assembly.

■Removing the C.G. base assembly (See Fig.23 and 24)

Remove the three screws 11 retaining the C.G. base assembly.

[Caution] To reassemble the cylinder gear, etc.with the cam unit (cam gear and cans R1/R2 assembly), gear unit and drive unit, align the position of the pawl "N" on the drive unit to that of the notch on the cam gear L. Then, make sure that the gear unit is engaged by turning the cam gear L (See Fig. 24).

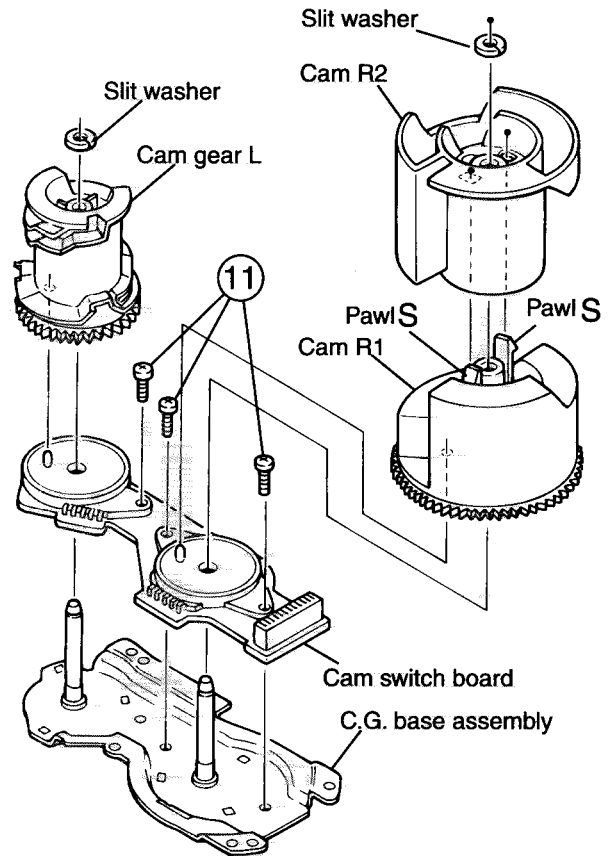


Fig.23

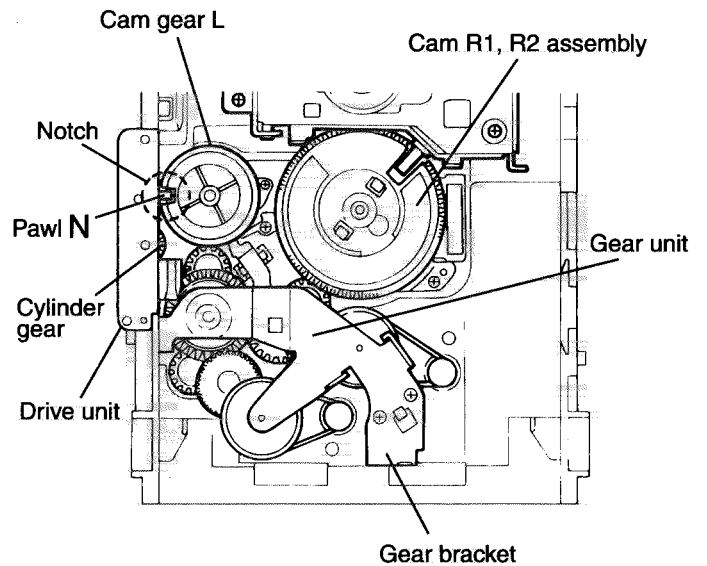


Fig.24

Adjusting method

■ Measuring devices necessary for adjustment

1. Low-frequency oscillator
It must have the ability to output 600 Ω from 0 dBs at an oscillation frequency of 20 Hz—50 Hz.
2. Attenuator impedance: 600 Ω
3. Electronic voltmeter
4. Distortion meter
5. Frequency counter
6. Wow and flutter meter
7. Test tapes
VT-712: tape speed and rotational distortion (3 kHz)
VT-724: standard level (1 kHz)
VT-703: head angle adjustment (10 kHz),
VT-739: reproduction of frequency characteristics (1 kHz, 63 Hz, 10 kHz)
8. Blank tape
Type I : AC-225 (TDK-AD)
Type II : AC-514 (TDK-SA)
9. Torque gauge: Tension gauge for playback, fast-forward and rewind.
FWD (TW211A), REW (TW212A)
and FF/REW (TW2231A)

■ Specifications for measurement

- Power supply voltage AC 230 V (50 Hz)
Standard output Speaker: 0.775 V/6 Ω
Headphone: 0.245 V/32 Ω
Standard frequency and input level
..... 1 kHz: AUX: -8 dBs
Input level for reproduction of recording characteristics
..... AUX: 300 mV 50 kΩ
Measuring output terminal Speaker: CN633
Load resistance 6 Ω

■ Radio input signal

- AM frequency 400 Hz
Degree of modulation in AM band 30%
FM frequency 400 Hz
Frequency deviation in FM band 22.5 kHz

■ Tuner section

- Voltage input to the tuner +B: DC 5.7 V
VT: DC 12 V
Standard measuring output 26.1 mV (0.28 V) / 3 Ω
Input locations AM: standard loop antenna
FM: TP1 (hot) and TP2 (GND)

■ Standard settings for measuring volume

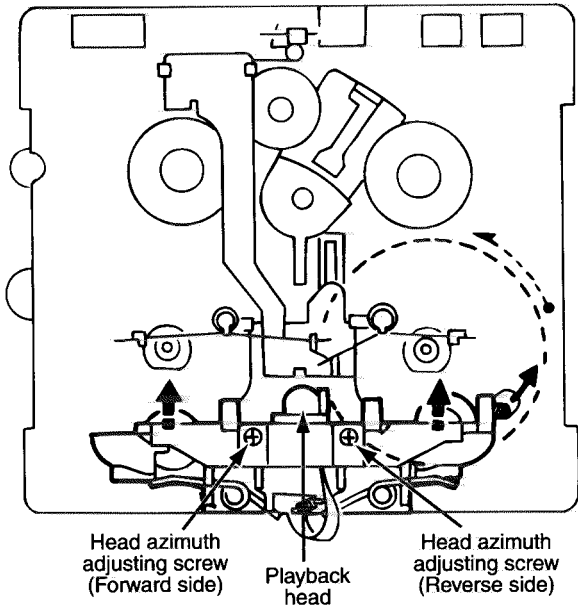
- Sound OFF
Effective hyper bass OFF
Volume adjustment VOL. 23

Precautions for measuring

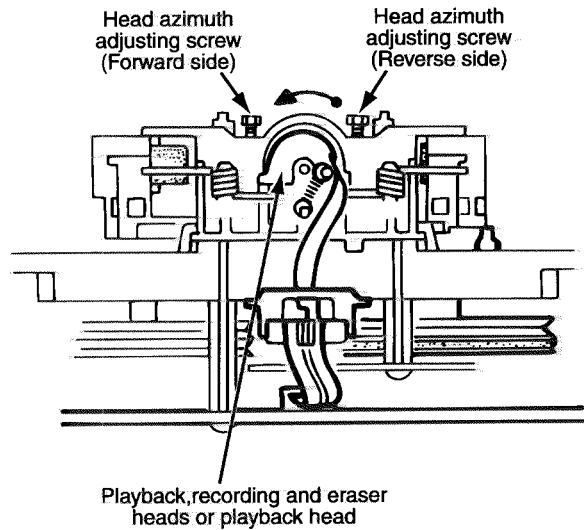
1. Input 30 pF and 33 kΩ to the IF sweeper output and 0.082 μF and 100 kΩ to the sweeper input, respectively.
2. Lower the output level of the IF sweeper as much as possible in the adjustable range.
3. The IF sweeper needs no adjustment as it is a fixed component.
4. It is not necessary to perform any kind of adjustment on the MPX, as a ceramic oscillator is used for measuring.
5. FM tracking adjustment is not necessary as a fixed coil is used.
6. The grounding circuit is separate from the input and output. Therefore, be sure to connect to ground carefully when measuring both the input and output voltages simultaneously using 2 channels of the electronic voltmeter.
7. The speaker's minus terminal cannot be connected to ground when using a BTL format amplifier. Therefore, do not connect any type of ground wire to this terminal. The OTL format is used with this system.
8. Use a large wire to connect to the dummy impedance generator when measuring the output.
9. Be sure to use a band pass filter (DV-12) when using mixed tape.

■ Arrangement of Adjusting Positions

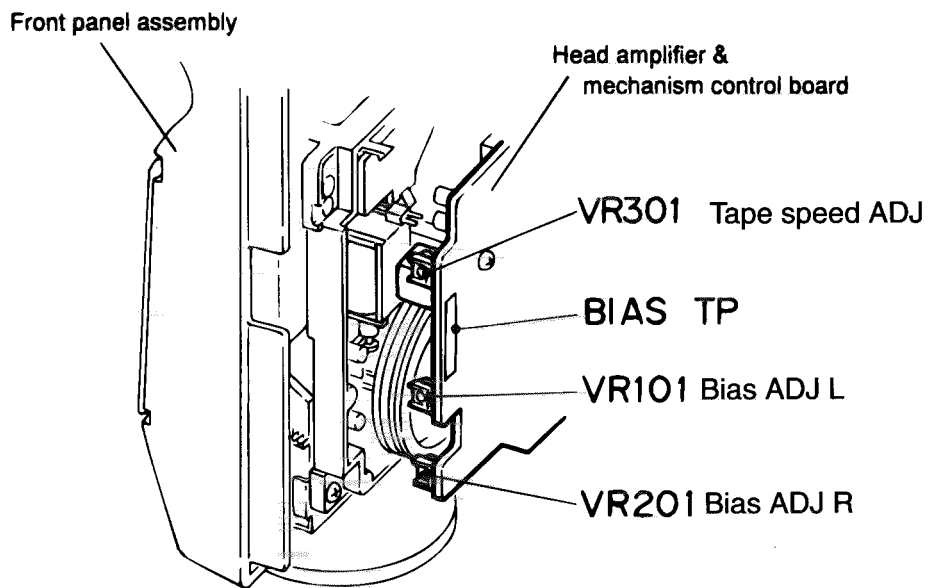
Cassette mechanism section (Mechanism A section)



Cassette mechanism section (Back side)



Cassette Mechanism Unit Section



■ Tape Recorder Section

Items	Measurement conditions	Measurement method	Standard values	Adjusting positions
Confirmation of head angle	Test tape :TMT7036(10kHz) Measurement output terminal :Speaker terminal Speaker R (Load resistor:3Ω) :Headphone terminal	1.Playback the test tape TMT7036(10kHz). 2.With the playback mechanism or recording & playback mechanism, adjust the head azimuth screw so that the forward and reverse output levels become maximum.After adjustment,lock the head azimuth at least by half a turn. 3.In either case,this adjustment should be performed in both the forward and reverse directions with the head azimuth screw.	Maximum output	Adjust the head azimuth screw only when the head has been changed.
Confirmation of tape speed	Test tape :VTT712(3kHz) or TMT7036(3kHz) Measurement output terminal :Headphone terminal	<Constant speed> Adjust VR301 so that the frequency counter reading becomes 3,000Hz±60Hz when playing back the test tape VTT712(3kHz)with the playback mechanism or playback and recording mechanism after ending forward winding of the tape.	Tape speed of decks (A and B) :3,000Hz ±60Hz	VR301

■ Reference Values for Confirmation items

Items	Measurement conditions	Measurement method	Standard values	Adjusting positions
Double tape speed	Test tape :TMT7036(10kHz) Measurement output terminal :Speaker terminal Speaker R (Load resistance:3Ω) measurement output terminal :Headphone terminal	After setting to the double speed motor, confirm that the frequency counter reading becomes 4,800+400/-300Hz when the test tape VTT712 (3kHz) has been play back with the playback mechanism.	4,800+400/-300Hz	Playback mechanism side
Difference between the forward and reverse speed. P.mecha and R/P mecha speed		When the test tape VTT712(3kHz) has been played back with the playback mechanism or recording and playback mechanism at the beginning of forward winding, the frequency counter reading of the difference between both of the mechanisms should be 6.0Hz or less.	60Hz or less	Both the playback and recording & playback mechanism
Wow & flutter	Test tape :TMT7036(10kHz) Measurement output terminal :Headphone terminal	When the test tape VTT712(3kHz) has been played back with the playback mechanism or recording and playback mechanism at the beginning of forward winding the frequency counter reading of wow & flutter should be 0.25% or less(WRMS).	with in 0.25% JIS(WTD)	Both the playback and recording & playback mechanism

■ Electrical Performance

Items	Measurement conditions	Measurement method	Standard values	Adjusting positions
Adjustment of recording bias current (Reference value)	*Mode : Forward or reverse mode *Recording mode *Test tape :AC-514 and AC-225 Measurement output terminal :Both recording and headphone terminals	1.With the recording and playback mechanism, load the test tapes(AC-514 to TYP II and AC-225 to TYP I),and set the mechanism to the recording and pausing conditions in advance. 2.After connecting $100\ \Omega$ in series to the recorder head,measure the bias current with a valve voltmeter at both of the terminals. 3.After resetting the [PAUSE] mode,start recording. At this time,adjust VR101 for LcH and VR201 for RcH so that the recording bias current values become $4.0\ \mu\text{A}$ (TYP I) and $4.20\ \mu\text{A}$ (TYP II).	AC-225 : $4.20\ \mu\text{A}$ AC-514 : $4.0\ \mu\text{A}$	LcH :VR101 RcH :VR201
Adjustment of recording and playback frequency characteristics	Reference frequency :1kHz and 10kHz (REF:-20dB) Test tape :TYP II AC-514 Measurement input terminal :OSC IN	1.With the recording and playback mechanism,load the test tape(AC-514 to TYP II),and set the mechanism to the recording and pausing condition in advance. 2.While repetitively inputting the reference frequency signal of 1kHz and 10kHz from OSC IN, record and playback the test tape. 3.While recording and playing back the test tape in TYP II ,adjust VR101 for LcH and VR201 for RcH so that the output deviation between 1kHz and 10kHz becomes $-1\text{dB}\pm 2\text{dB}$.	Output deviation between 1kHz and 10kHz : $-1\text{dB}\pm 2\text{dB}$	LcH :VR101 RcH :VR201

■ Reference Values for Electrical Function Confirmation Items

Items	Measurement conditions	Measurement method	Standard values	Adjusting positions
Recording bias frequency	*Recording and playback side forward or reverse *Test tape :TYP II AC-514 *Measurement terminal BIAS TP on P.C.board	1.While changing over to and from BIAS 1 and 2, confirm that the frequency is changed. 2.With the recording and playback mechanism. load the test tape (AC-514 to TYP II),and set the mechanism to the recording and pausing conditions in advance. 3.Confirm that the BIAS TP frequency on the P.C.board is $100\text{kHz}\pm 6\text{kHz}$.	100kHz +9kHz -7kHz	
Eraser current (Reference value)	*Recording and playback side forward or reverse *Recording mode *Test tape :AC-514 and AC-225 Measurement terminal Both of the eraser head	1.With the recording and playback mechanism, load the test tapes(AC-514 to TYP II and AC-225 to TYP I),and set the mechanism to the recording and pausing condition in advance. 2.After setting to the recording conditions,connect $1\text{M}\ \Omega$ in series to the eraser head on the recording and playback mechanism side,and measure the eraser current from both of the eraser terminal.	TYP II :120mA TYP I :75mA	

Maintenance of laser pickup

Replacement of laser pickup

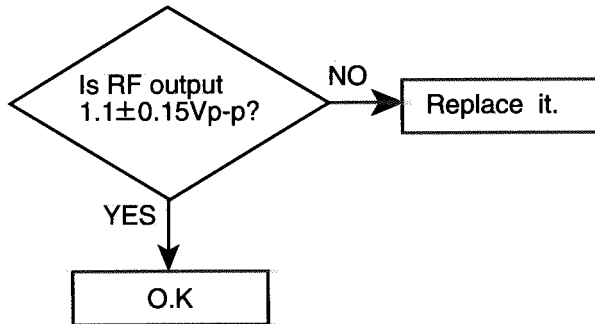
(1) Cleaning the pick up lens

Before you replace the pick up, please try to clean the lens with a alcohol soaked cotton swab.

(2) Life of the laser diode (Fig.1)

When the life of the laser diode has expired, the following symptoms will appear.

- (1) The level of RF output (EFM output: amplitude of eye pattern) will below.



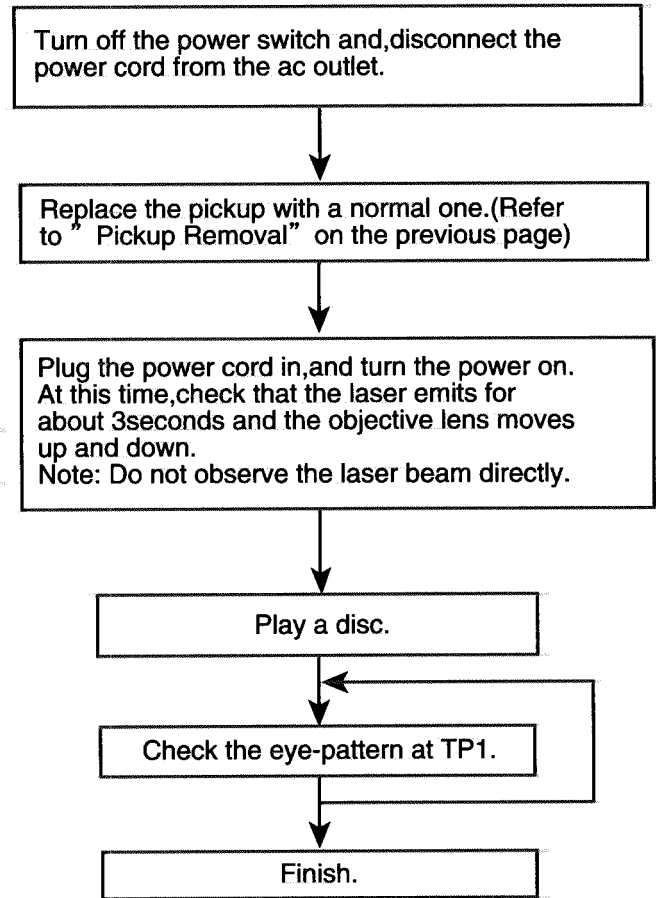
(Fig.1)

(3) Semi-fixed resistor on the APC PC board

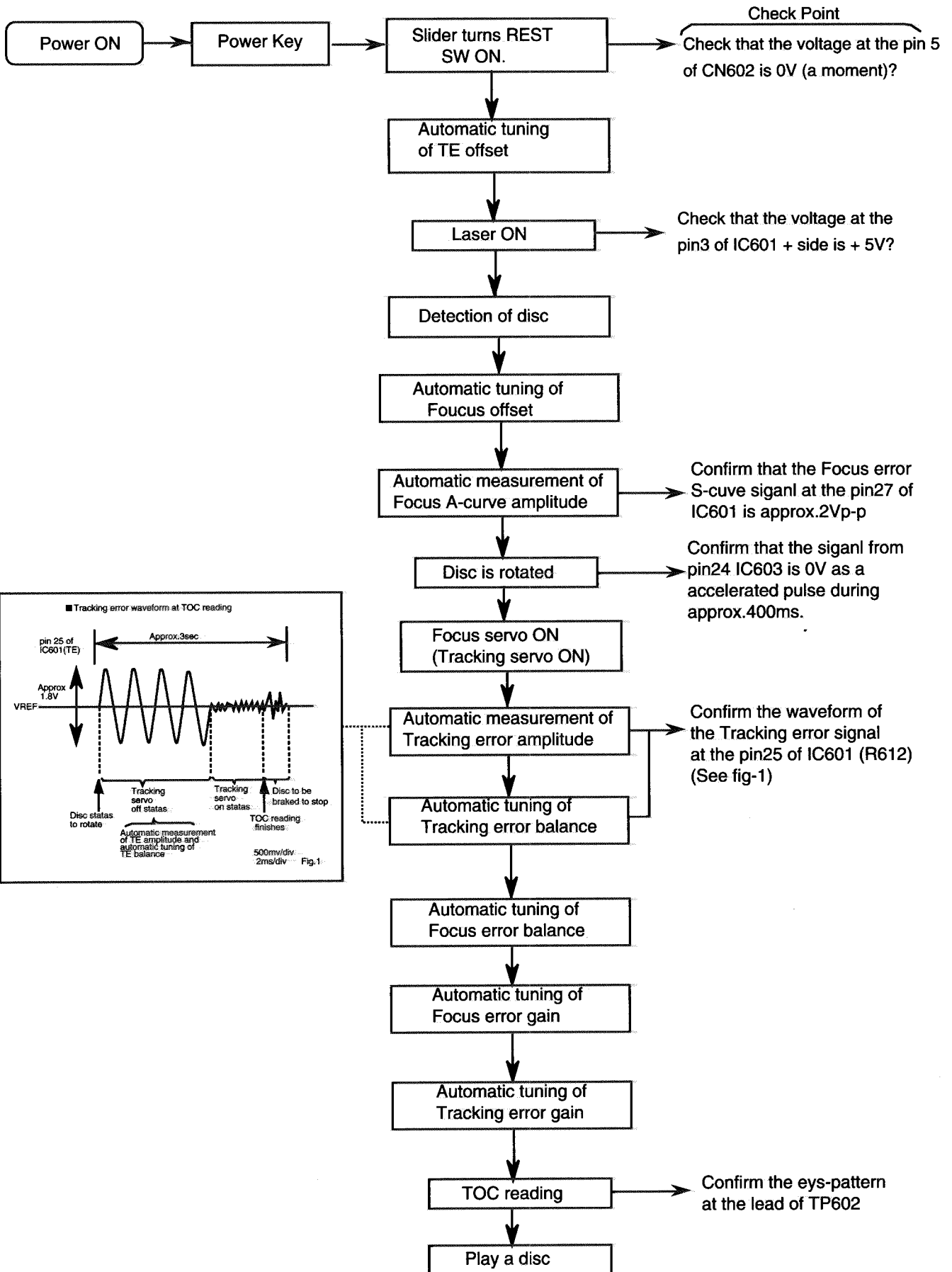
The semi-fixed resistor on the APC printed circuit board which is attached to the pickup is used to adjust the laser power. Since this adjustment should be performed to match the characteristics of the whole optical block, do not touch the semi-fixed resistor.

If the laser power is lower than the specified value, the laser diode is almost worn out, and the laser pickup should be replaced.

If the semi-fixed resistor is adjusted while the pickup is functioning normally, the laser pickup may be damaged due to excessive current.

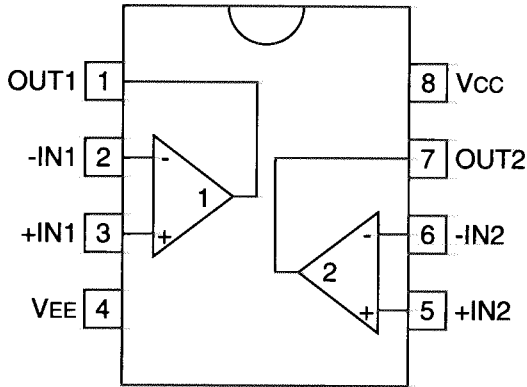


Flow of functional operation until TOC read

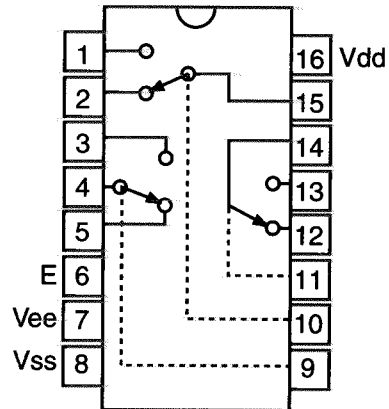


Description of major ICs

■ BA15218F(IC303):OP AMP.

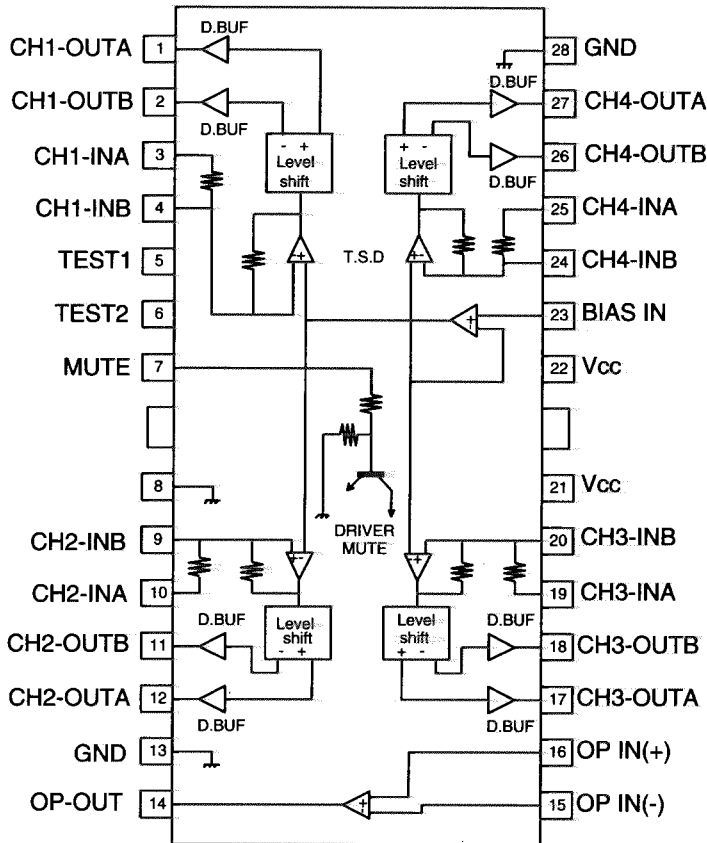


■ TC4053BP(IC304):Analog switch



	Pin 9		Pin 10		Pin 11	
\overline{E}	L	H	L	H	L	H
L	4-5	4-3	15-2	15-1	14-12	14-13
H	All OFF					

■ BA6897FPW(IC602):4channel driver

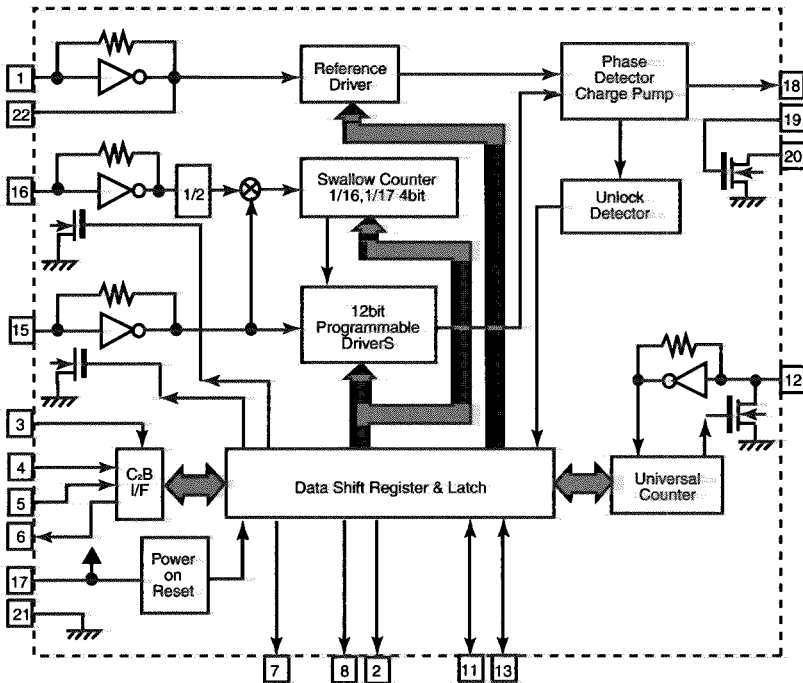


■ LC72136N(IC2):PLL Frequency synthesizer

1. Layout

XT	1	22	XT
FM/AM	2	21	GND
CE	3	20	LPFOUT
DI	4	19	LPFIN
CLOCK	5	18	PD
DO	6	17	VCC
FM/ST/VCO	7	16	FMIN
AM/FM	8	15	AMIN
	9	14	
	10	13	IFCONT
SDIN	11	12	IFIN

2. Block



3. Function

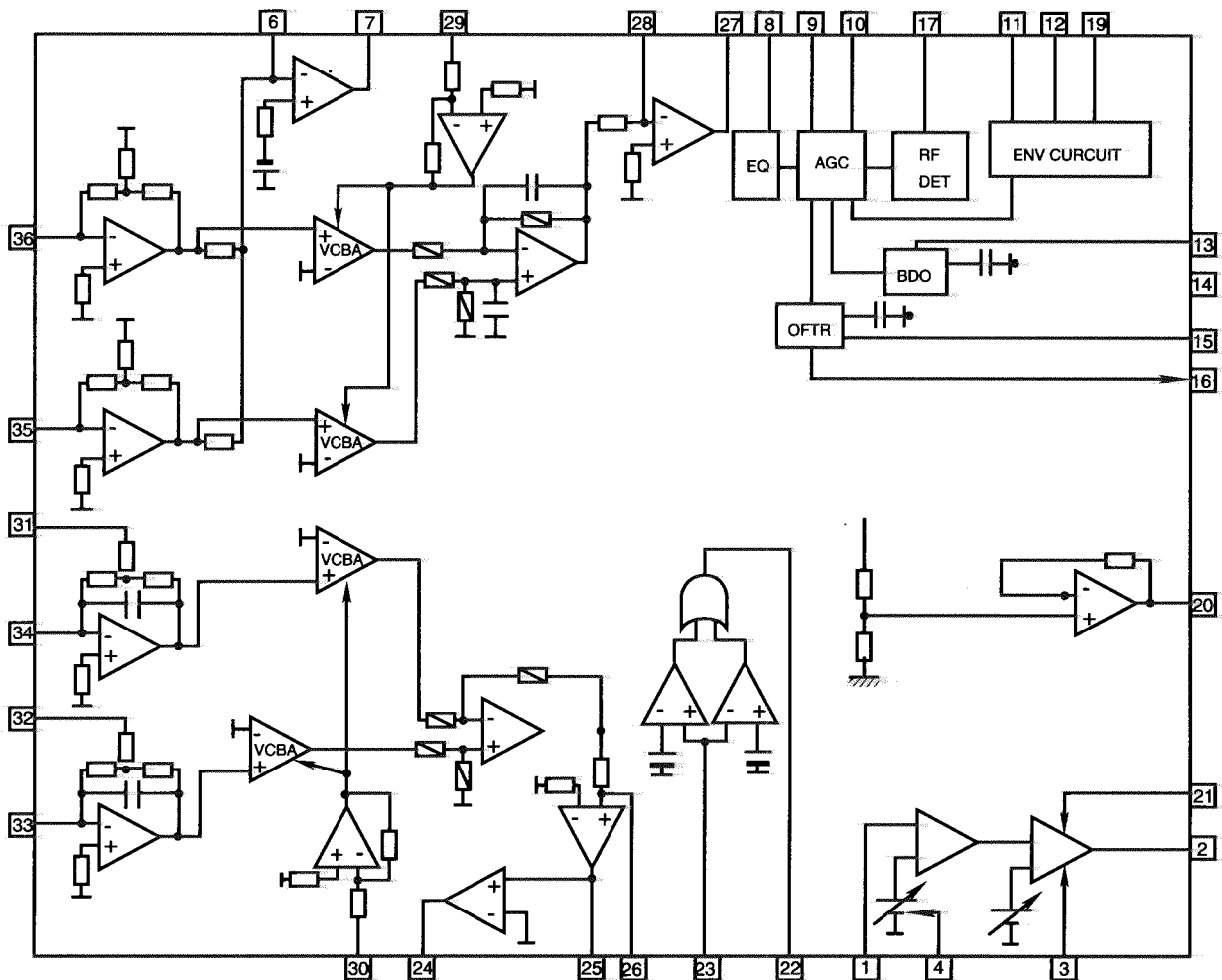
Pin No.	Symbol	I/O	Function	Pin No.	Symbol	I/O	Function
1	XT	I	X'tal oscillator connect (75kHz)	12	IFIN	I	IF counter signal input
2	FM/AM	O	LOW:FM mode	13	IFCONT	O	IF signal output
3	CE	I	When data output/input for 4pin(input) and 6pin(output): H	14	-	-	Not use
4	DI	I	Input for receive the sirisl data from controller	15	AMIN	I	AM Local OSC signal output
5	CLOCK	I	Sync signal input use	16	FMIN	I	FM Local OSC signal input
6	DO	O	Data output for Controller Output port	17	VCC	-	Power supply(VDD=4.5-5.5V) When power ON:Reset circuit move
7	FM/ST/VCO	O	"Low": MW mode	18	PD	O	PLL charge pump output(H: Local OSC frequency Height than Reference frequency. L: Low Agreement: Height impedance)
8	AM/FM	O	Not use	19	LPFIN	I	Input for active lowpassfilter of PLL
9		-	Not use	20	LPFOUT	O	Output for active lowpassfilter of PLL
10		-	Input/output port	21	GND	-	Connected to GND
11	SDIN	I/O	Data input/output	22	XT	I	X'tal oscillator(75KHz)

■ AN8806SB (IC601) : RF&Servo AMP

1.Pin Layout

PD	1	36	PDAC
LD	2	35	PDBD
LDON	3	34	PDF
LDP	4	33	PDE
VCC	5	32	PDER
RF-	6	31	PDFR
RF OUT	7	30	TBAL
RF IN	8	29	FBAL
C.AGC	9	28	EF-
ARF	10	27	EF OUT
C.ENV	11	26	TE-
C.EA	12	25	TE OUT
CS BDO	13	24	CROSS
BDO	14	23	TE BPF
CS BRT	15	22	VDET
OFTR	16	21	LD OFF
/NRFDET	17	20	VREF
GND	18	19	ENV

2.Block Diagram

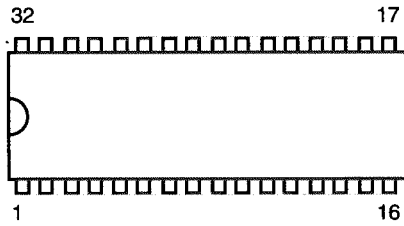


3. Pin Functions

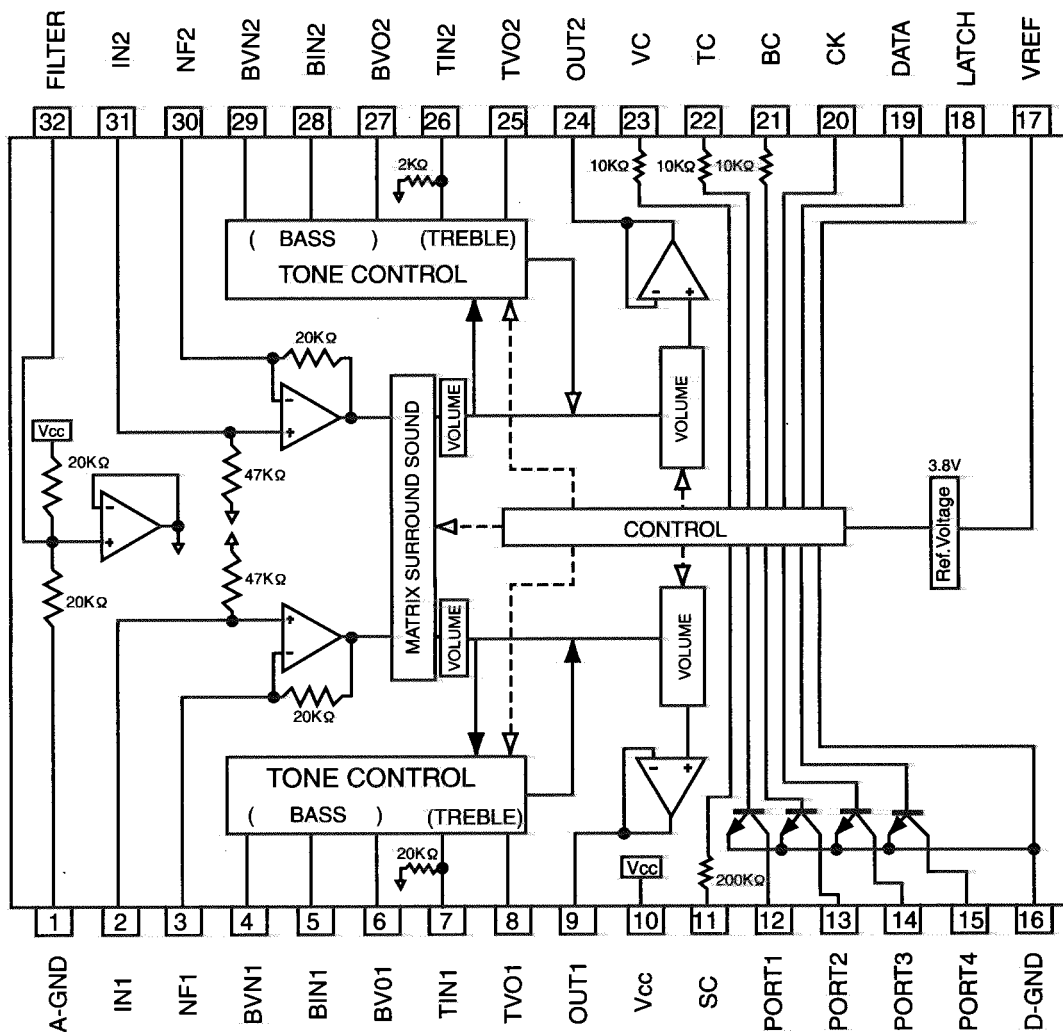
Pin No.	Symbol	I/O	Functions and operations
1	PD	I	APC amp input terminal
2	LD	O	APC amp output terminal
3	LD ON	I	APC ON/OFF control terminal
4	LDP	--	Connect to ground
5	VCC	--	Power supply
6	RF-	I	Inverse input pin for RF amp
7	RF OUT	O	RFamp output
8	RF IN	I	RF input
9	C.AGC	I/O	Connecting pin of AGC loop filter
10	ARF	O	RF output
11	C.ENV	I/O	A capacitor is connected to this terminal to detect the envelope of RF signal
12	C.EA	I/O	A capacitor is connected to this terminal to detect the envelope of RF signal
13	CS BDO	I/O	A capacitor is connected to detect the lower envelope of RF signal
14	BDO	O	BDO output pin
15	CS BRT	I/O	A capacitor is connected to detect the lower envelope of RF signal
16	OFTR	O	Of-track status signal output
17	/NRFDET	O	RF detection signal output
18	GND	--	Ground
19	ENV	O	Envelope output
20	VREF	O	Reference voltage output
21	LD OFF	--	Connect to ground
22	VDET	O	Vibration detection signal output
23	TE BPF	I	Input pin of tracking error through BPF
24	CROSS	O	Tracking error cross output
25	TE OUT	O	Tracking error signal output
26	TE-	I	Inverse input pin for tracking error amp
27	FE OUT	O	Output pin of focus error
28	FE-	I	Inverse input pin for focus error amp
29	FBAL	I	Focus balance control
30	TBAL	I	Tracking balance control
31	PDFR	I/O	F I-V amp gain control
32	PDER	I/O	E I-V amp gain control
33	PDF	I	I-V amp input
34	PDE	I	I-V amp input
35	PD BD	I	I-V amp input
36	PD AC	I	I-V amp input

■ BH3854AS(IC302): E.Volume

1. Terminal layout



2. Block diagram



- ⊙ Volume, bass treble and surround can be also controlled externally by giving DC voltage through VC (volume control) terminal, BC (bass control) terminal, TC (treble control) terminal and SC (surround control) terminal.
- ⊙ Impedance of VC, TC and BC terminals is 10 K Ω (Typ.).
- ⊙ Impedance of SC terminal is 200K Ω (Typ.).

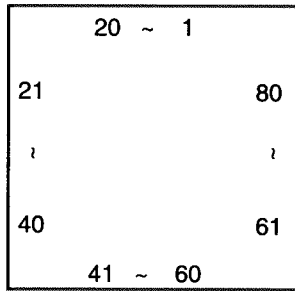
3. Pin function

BH3854AS

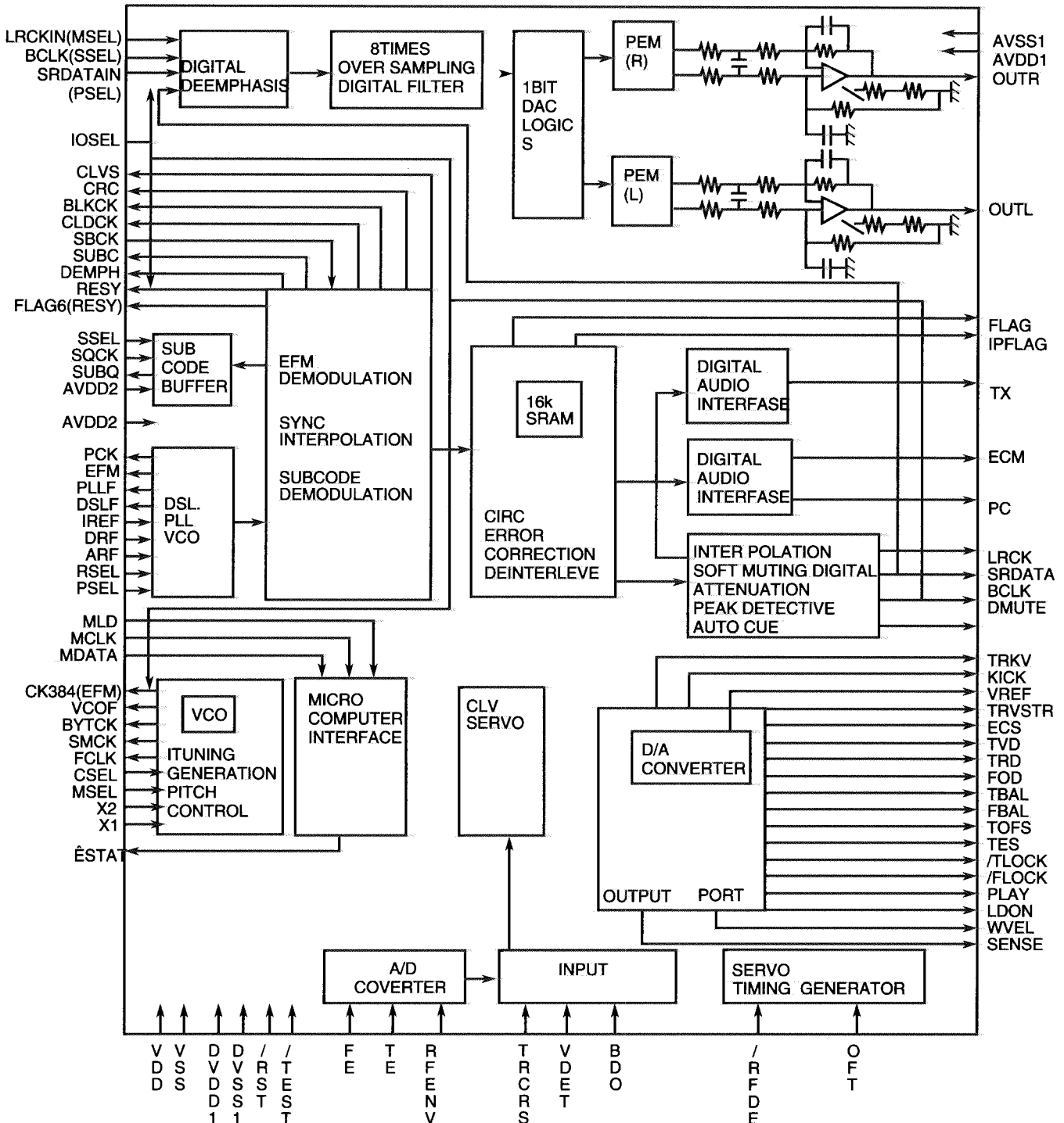
PIN	PIN Name	Function	PIN	PIN Name	Function
1	A-GND	Analog system ground	17	VREF	Terminal for 3.8V reference voltage output
2	IN1	Terminal for 1ch volume input	18	LATCH	Terminal to receive latch data
3	NF1	Terminal for gain adjustment of input step AMP	19	DATA	Terminal to receive data
4	BVN1	Terminal for connection of 1ch low-frequency filter	20	CK	Terminal to receive clock
5	BIN1	Terminal for connection of 1ch low-frequency filter	21	BC	Terminal for time constant attachment for switching shock protection
6	BV01	Terminal for connection of 1ch low-frequency filter			
7	TIN1	Terminal for connection of 1ch high-frequency filter	22	TC	Terminal for time constant attachment for switching shock protection
8	TV01	Terminal for connection of 1ch high-frequency filter			
9	OUT1	Terminal for 1ch volume output	23	VC	Terminal for time constant attachment for switching shock protection
10	Vcc	Terminal for power supply			
11	SC	Terminal for time constant attachment for switching shock protection	24	OUT2	Terminal for 2ch volume output
			25	TV02	Terminal for connection of 2ch high-frequency filter
12	PORT1	Terminal for port output	26	TIN2	Terminal for connection of 2ch high-frequency filter
13	PORT2	Terminal for port output	27	BV02	Terminal for connection of 2ch low-frequency filter
14	PORT3	Terminal for port output	28	BIN2	Terminal for connection of 2ch low-frequency filter
15	PORT4	Terminal for port output	29	BVN2	Terminal for connection of 2ch low-frequency filter
16	D-GND	Digital system ground	30	NF2	Terminal for gain adjustment of input step AMP
			31	IN2	Terminal for 2ch volume output
			32	FILTER	Terminal for filter

■ MN35510 (IC603) : DIGITAL SERVO&DIGITAL SIGNAL PROCESSER

1. Pin Layout



2. Block Diagram

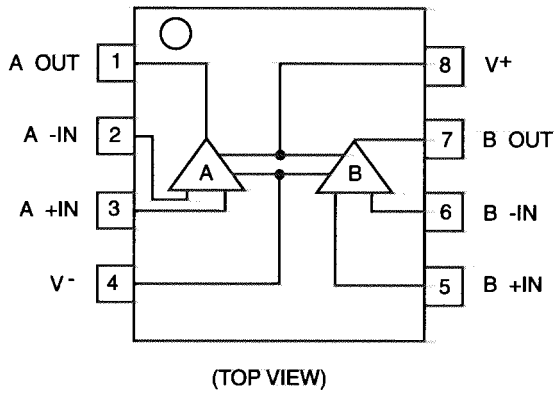


3. Pin function

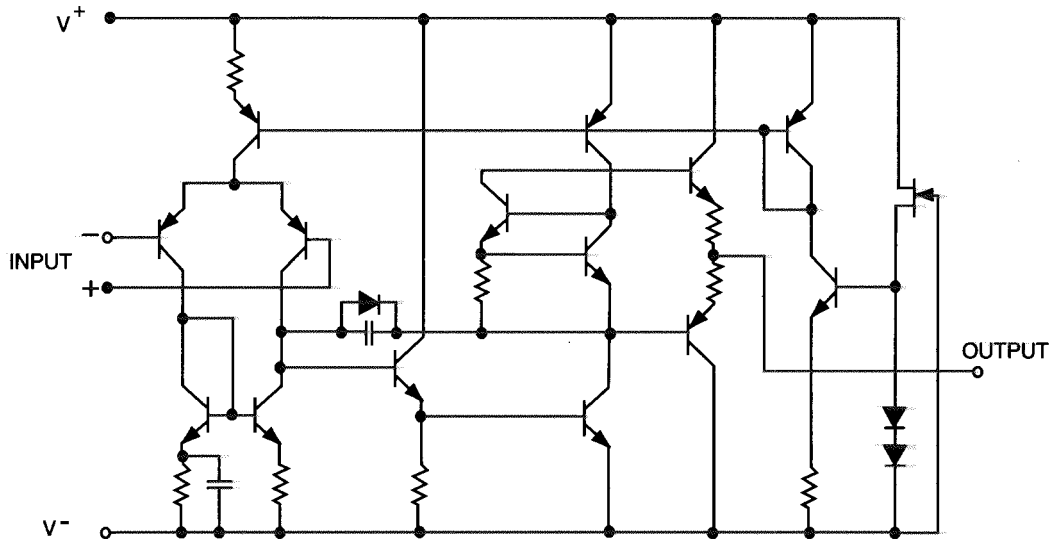
Pin No.	symbol	I/O	Description	Pin No.	symbol	I/O	Description
1	BCLK	O	Not used	41	TES	O	Tracking error shunt signal output(H:shunt)
2	LRCK	O	Not used	42	PLAY	—	Not used
3	SRDATA	O	Not used	43	WVEL	—	Not used
4	DVDD1	—	Power supply (Digital)	44	ARF	I	RF signal input
5	DVSS1	—	Connected to GND	45	IREF	I	Reference current input pin
6	TX	O	Digital audio interface output	46	DRF	I	Bias pin for DSL
7	MCLK	I	μ com command clock signal input (Data is latched at signal's rising point)	47	DSLIF	I/O	Loop filter pin for DSL
8	MDATA	I	μ com command data input	48	PLLIF	I/O	Loop filter pin for PLL
9	MLD	I	μ com command load signal input	49	VCOF	—	Not used
10	SENSE	O	Sence signal output	50	AVDD2	—	Power supply(Analog)
11	FLOCK	O	Focus lock signal output Active :Low	51	AVSS2	—	Connected to GND(Analog)
12	TLOCK	O	Tracking lock signal output Active :Low	52	EFM	—	Not used
13	BLKCK	O	sub-code/block/clock signal output	53	PCK	—	Not used
14	SQCK	I	Outside clock for sub-code Q resister input	54	PDO	—	Not used
15	SUBQ	O	Sub-code Q -code output	55	SUBC	—	Not used
16	DMUTE	—	Connected to GND	56	SBCK	—	Not used
17	STATUS	O	Status signal (CRC,CUE,CLVS,TTSTOP,ECLV,SQOK)	57	VSS	—	Connected to GND(for X'tal oscillation circuit)
18	RST	I	Reset signal input (L:Reset)	58	X1	I	Input of 16.9344MHz X'tal oscillation circuit
19	SMCK	—	Not used	59	X2	O	Output of X'tal oscillation circuit
20	PMCK	—	Not used	60	VDD	—	Power supply(for X'tal cscillation circuit)
21	TRV	O	Traverse enforced output	61	BYTCK	—	Not used
22	TVD	O	Traverse drive output	62	CLDCK	—	Not used
23	PC	—	Not used	63	FLAG	—	Not used
24	ECM	O	Spindle motor drive signal (Enforced mode output) 3-State	64	IPPLAG	—	Not used
25	ECS	O	Spindle motor drive signal (Servo error signal output)	65	FLAG	—	Not used
26	KICK	O	Kick pulse output	66	CLVS	—	Not used
27	TRD	O	Tracking drive output	67	CRC	—	Not used
28	FOD	O	Focus drive output	68	DEMPH	—	Not used
29	VREF	I	Reference voltage input pin for D/A output block (TVD,FOD,FBA,TBAL)	69	RESY	—	Not used
30	FBAL	O	Focus Balance adjust signal output	70	IOSEL	—	pull up
31	TBAL	O	Tracking Balance adjust signal output	71	TEST	—	pull up
32	FE	I	Focus error signal input(Analog input)	72	AVDD1	—	Power supply(Digital)
33	TE	I	Tracking error signal input(Analog input)	73	OUT L	O	Lch audio output
34	RF ENV	I	RF envelope signal input(Analog input)	74	AVSS1	—	Connected to GND
35	VDET	I	Vibration detect signal input(H:detect)	75	OUT R	O	Rch audio output
36	OFT	I	Off track signal input(H:off track)	76	RSEL	—	pull up
37	TRCRS	I	Track cross signal input	77	CSEL	—	Connected to GND
38	RFDET	I	RF detect signal input(L:detect)	78	PSEL	—	Connected to GND
39	BDO	I	BDO input pin(L:detect)	79	MSEL	—	Connected to GND
40	LDON	O	Laser ON signal output(H:on)	80	SSEL	—	Pull up

■ NJM4580D (IC511/601/651/941/942/971) : LPF, Mic and H.phone Amp.

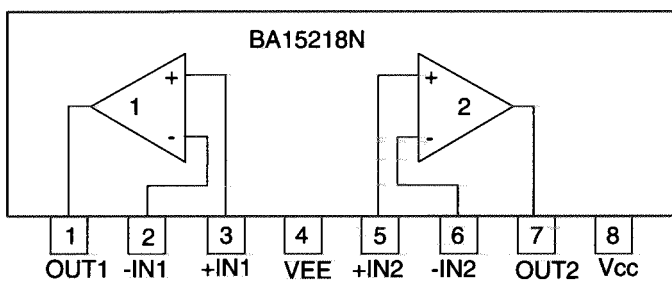
1. Terminal layout



2. Block diagram

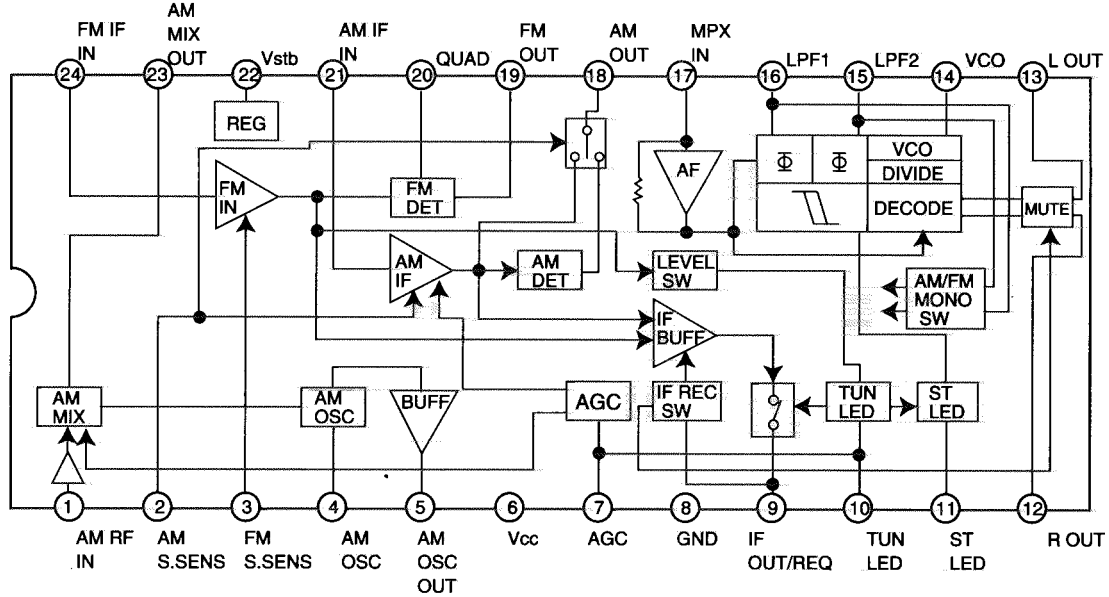


■ BA15218N (IC303): OP AMP.



■TA2057(IC1):FM/AM IF Amp & Detector

1. Pin layout & Block diagram

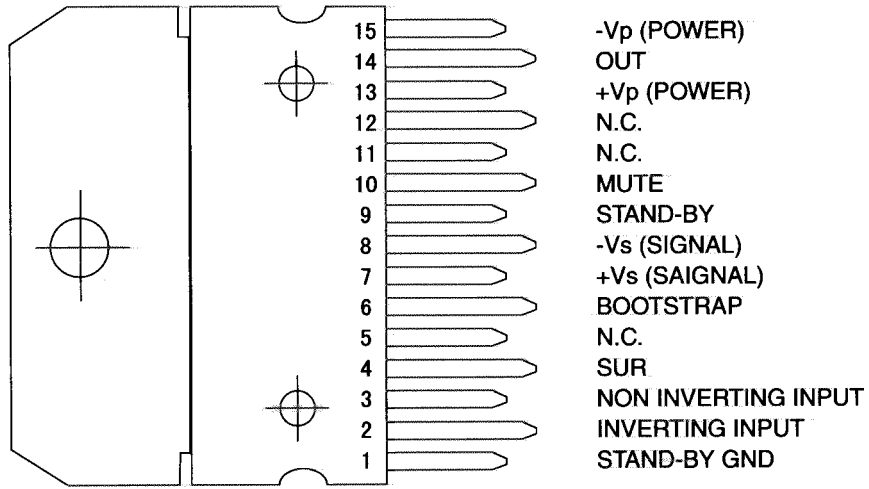


2. Pin function

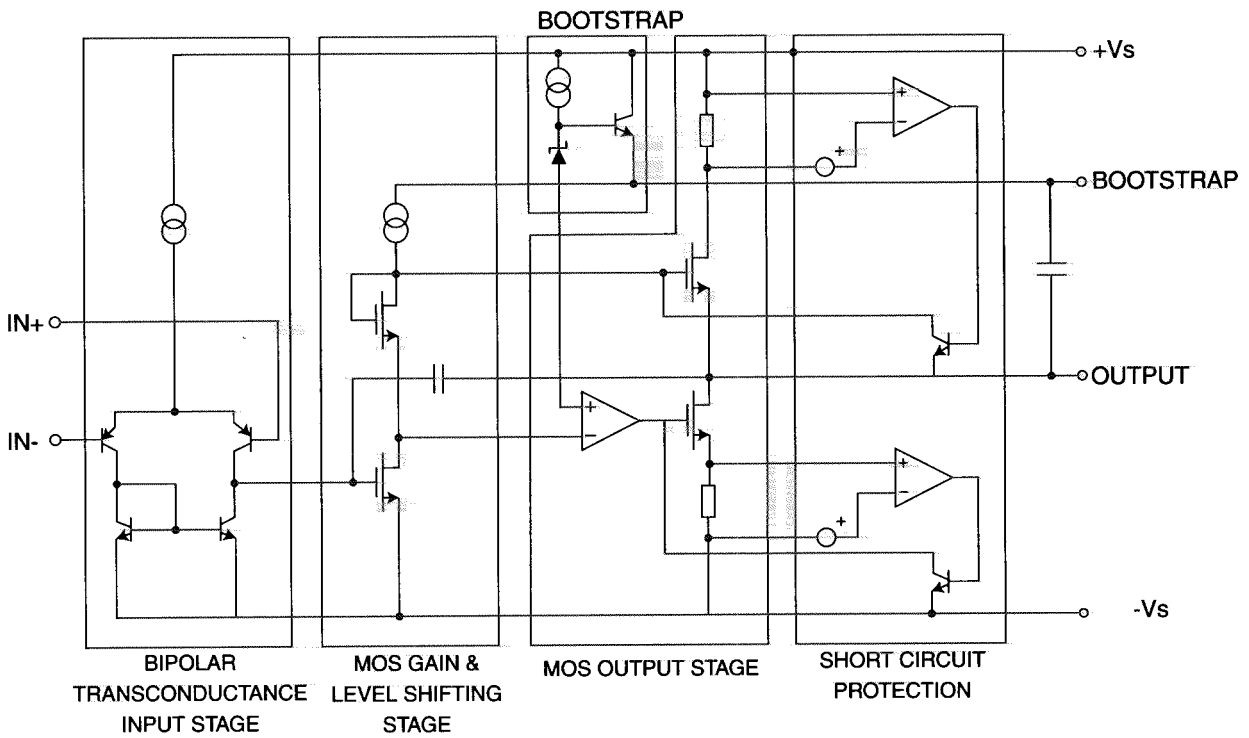
Pin No.	I/O	Symbol	Function	Pin No.	I/O	Symbol	Function
1	I	AM RF	AMRF signal input	13	O	L ch	Lch output
2		AM S.SENS		14	O	VCO	VCO Oscillator connection terminal
3		FM S.SENS		15	O	LPF2	Terminal voltage "H"= MONO "L"= ST
4	-	AM OSC	AM Local oscillation	16	O	LPF1	Terminal voltage "H"= AM "L"= FM
5	O	AM OSC OUT	AM Local oscillation output	17	I	MPX IN	Multiplex signal input
6	-	VCC	Power supply terminal	18	O	AM OUT	AM Detect output
7	I	AGC	AGC Voltage input	19	O	FM OUT	FM Detect output
8	-	GND	Ground	20	I	FM QUAD	FM IF Bypass
9	O	IF OUT	IF count signal output	21	I	AM IF IN	AM IF Signal input
10	O	TU IND	Indicator drive output when tuning	22	-	Vst	Reference voltage output terminal
11	O	ST IND	Stereo indicator drive output "H" : Monoral "L" : Stereo	23	O	AM MIX OUT	AM Mixer output
12	O	Rch OUT	Rch output	24	I	FM IF IN	FM IF Signal input

■ TDA7295 (IC101,IC102) : AUDIO AMP

1. Pin arrangement chart



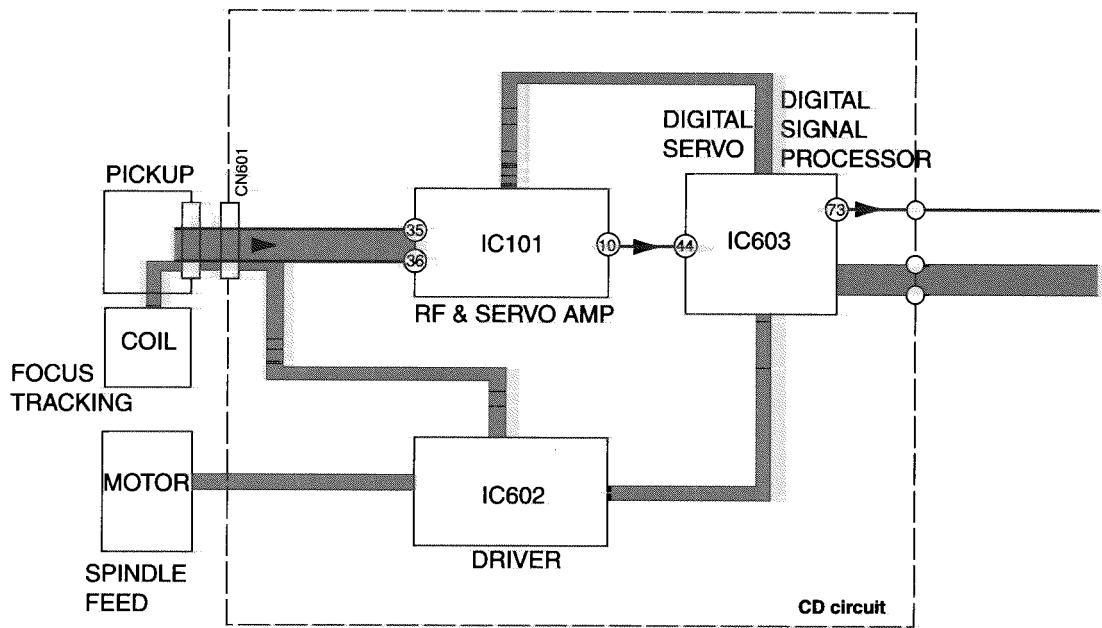
2. Block diagram



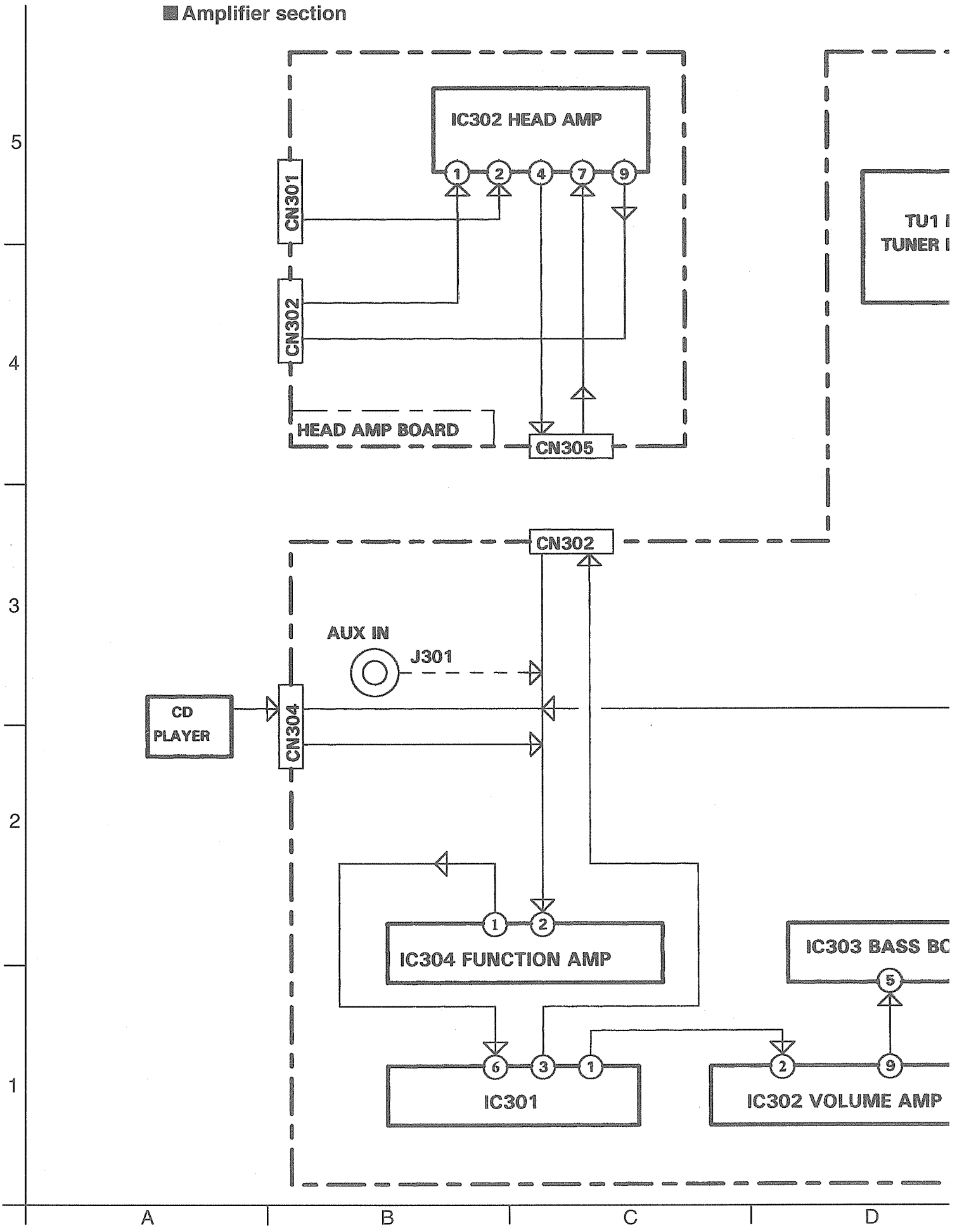
-MEMO-

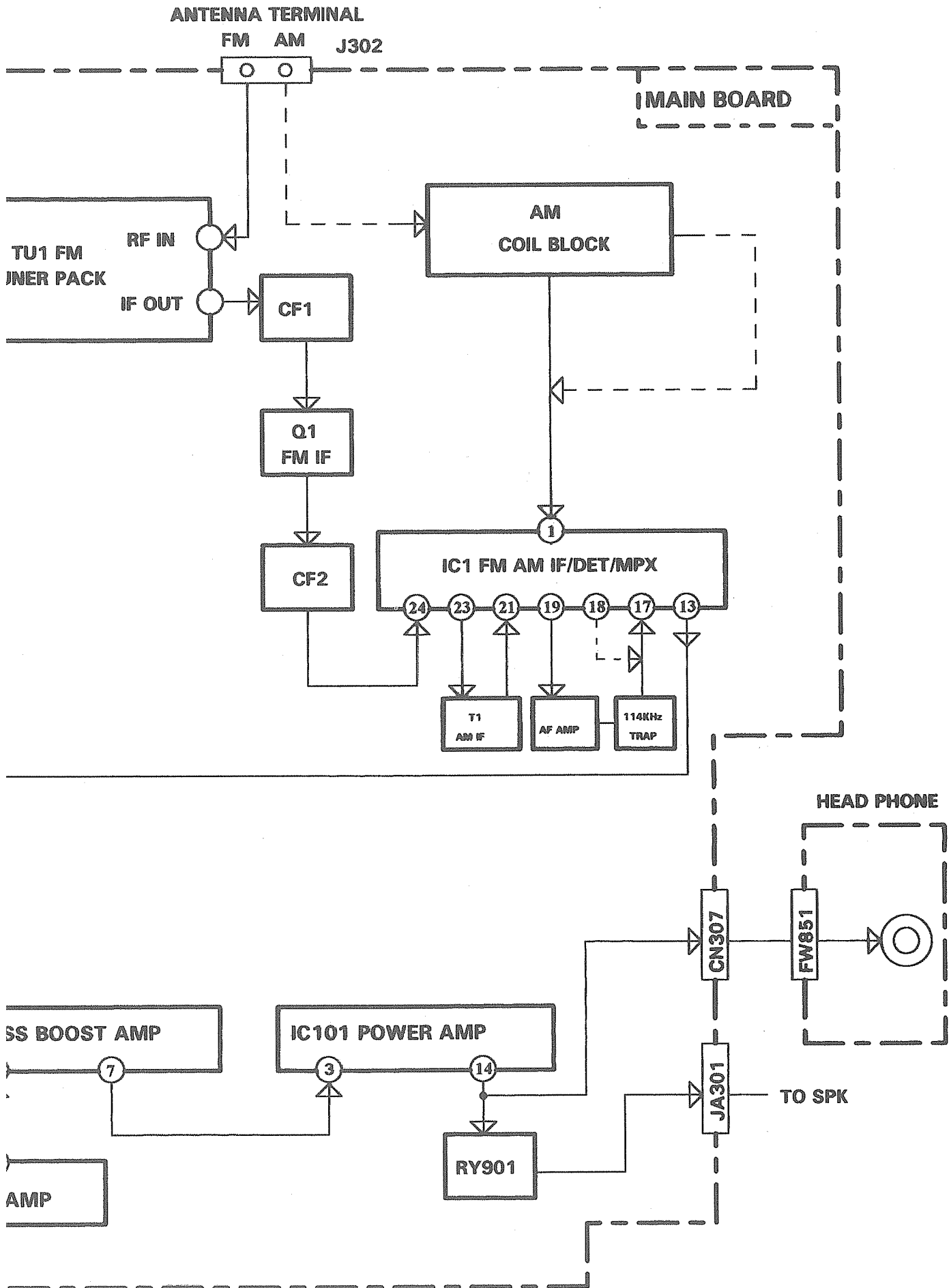
Block diagrams

■ CD section



■ Amplifier section





Standard schematic diagrams

■ Cassette amplifier & Mechanism control section

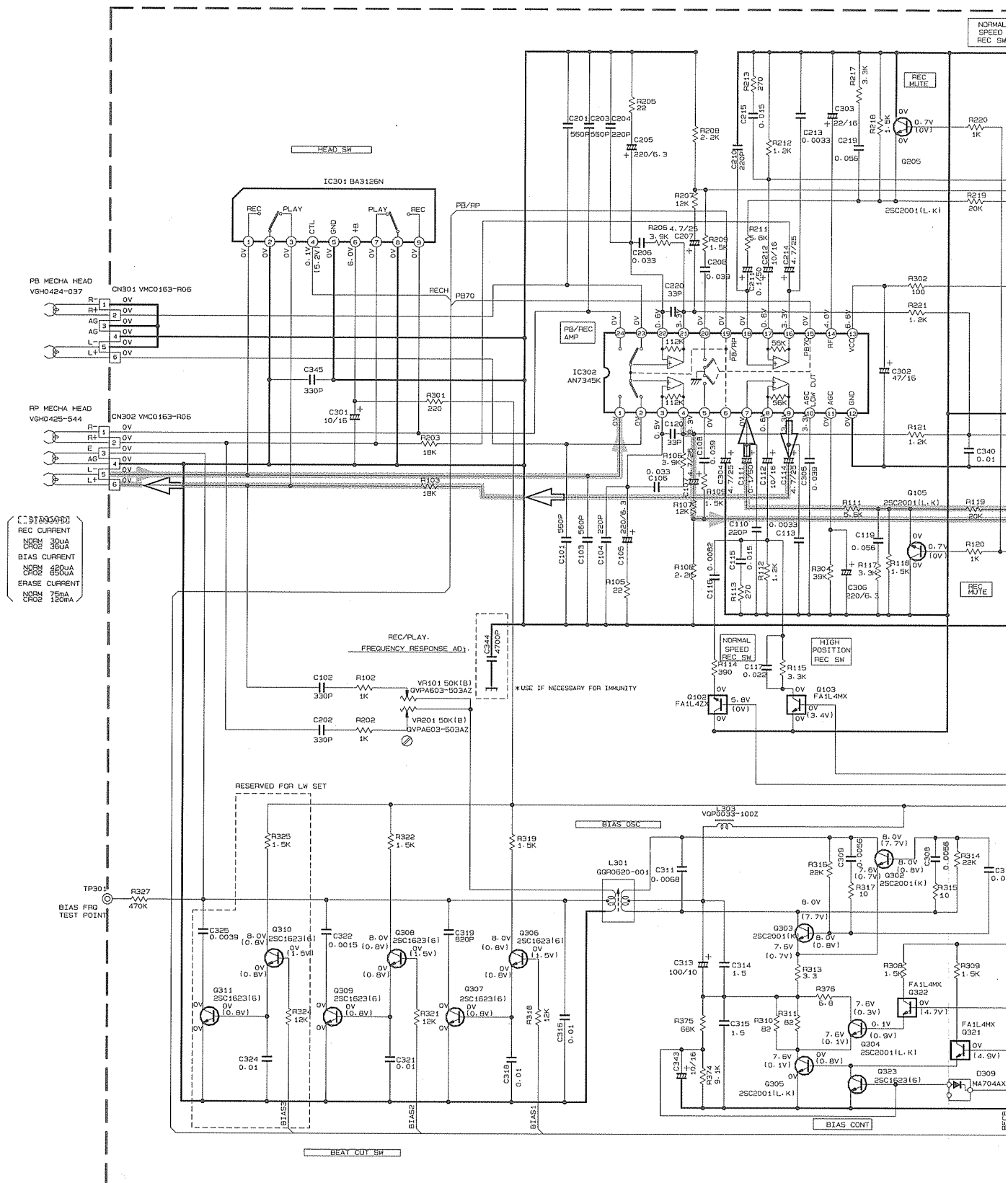
5

4

3

2

1



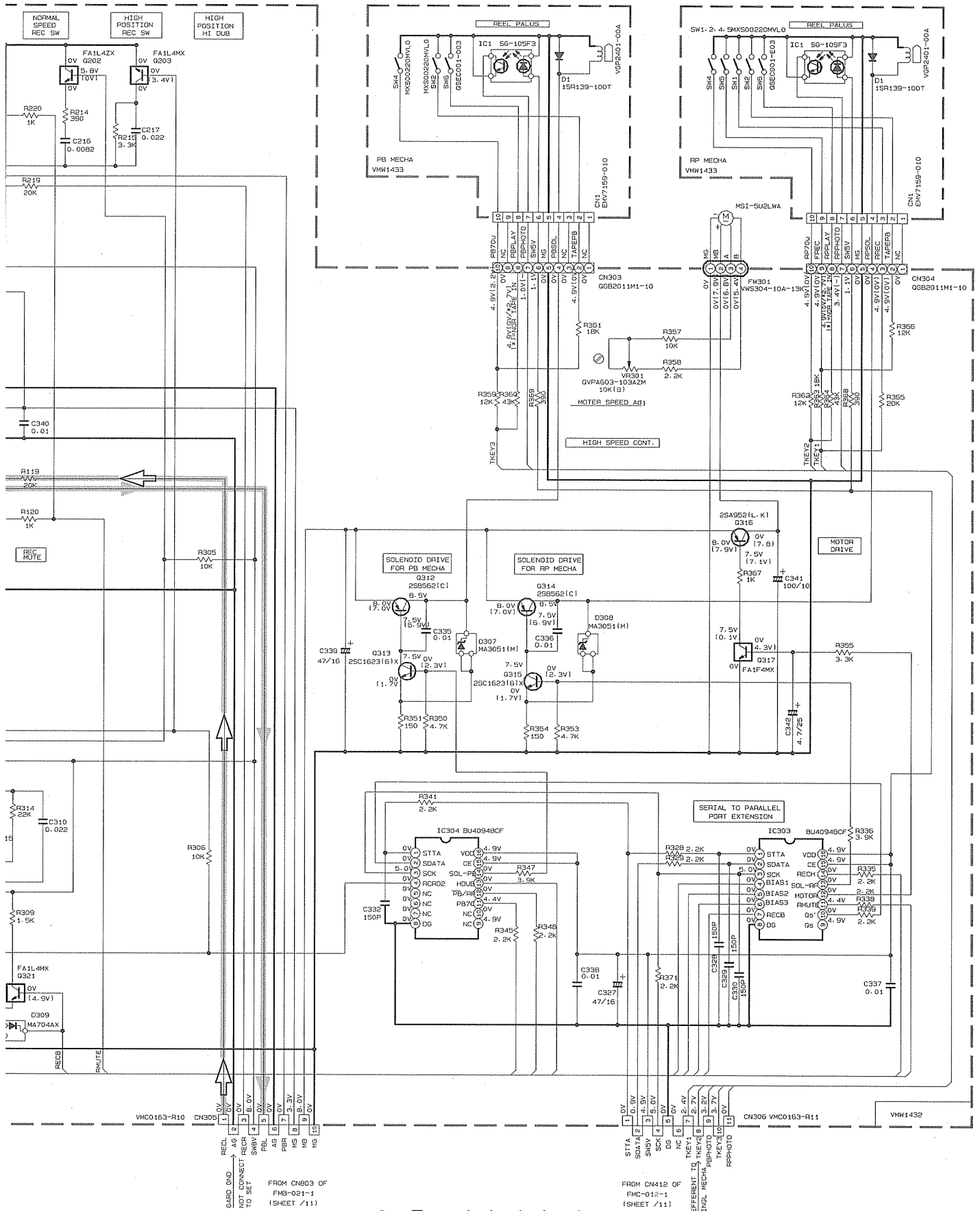
- REC CURRENT 300mA
- BIAS CURRENT 8500A
- ERASE CURRENT 750mA
- NORM CHRG 120mA

NOTES

1. VOLTAGES ARE DC-MEASURED WITH A DIGITAL VOLT METER OR OSCILLOSCOPE WITHOUT INPUT SIGNAL. () IS INVERT MODE
2. UNLESS OTHERWISE SPECIFIED

ALL RESISTANCE VALUES ARE IN OHM (Ω)
 ALL CAPACITORS ARE CERAMIC CAPACITOR
 ALL CAPACITANCE VALUES ARE IN μF(μF)
 ALL INDUCTANCE VALUES ARE IN mH(mH)
 ALL C. CAPACITORS ARE SHOWN IN THE FORM OF CAPACITANCE (μF)/RATED VOLTAGE (V).
 ≡ PLYPROPYLENE CAPACITOR

PART. NO	CONSTRUCTION	REF. NO
FA1F4M		Q317
FA1L4M		Q103/Q203 Q321/Q322
FA1L4Z		Q102/Q202



Tape playback signal
 Tape recording signal

System control circuit

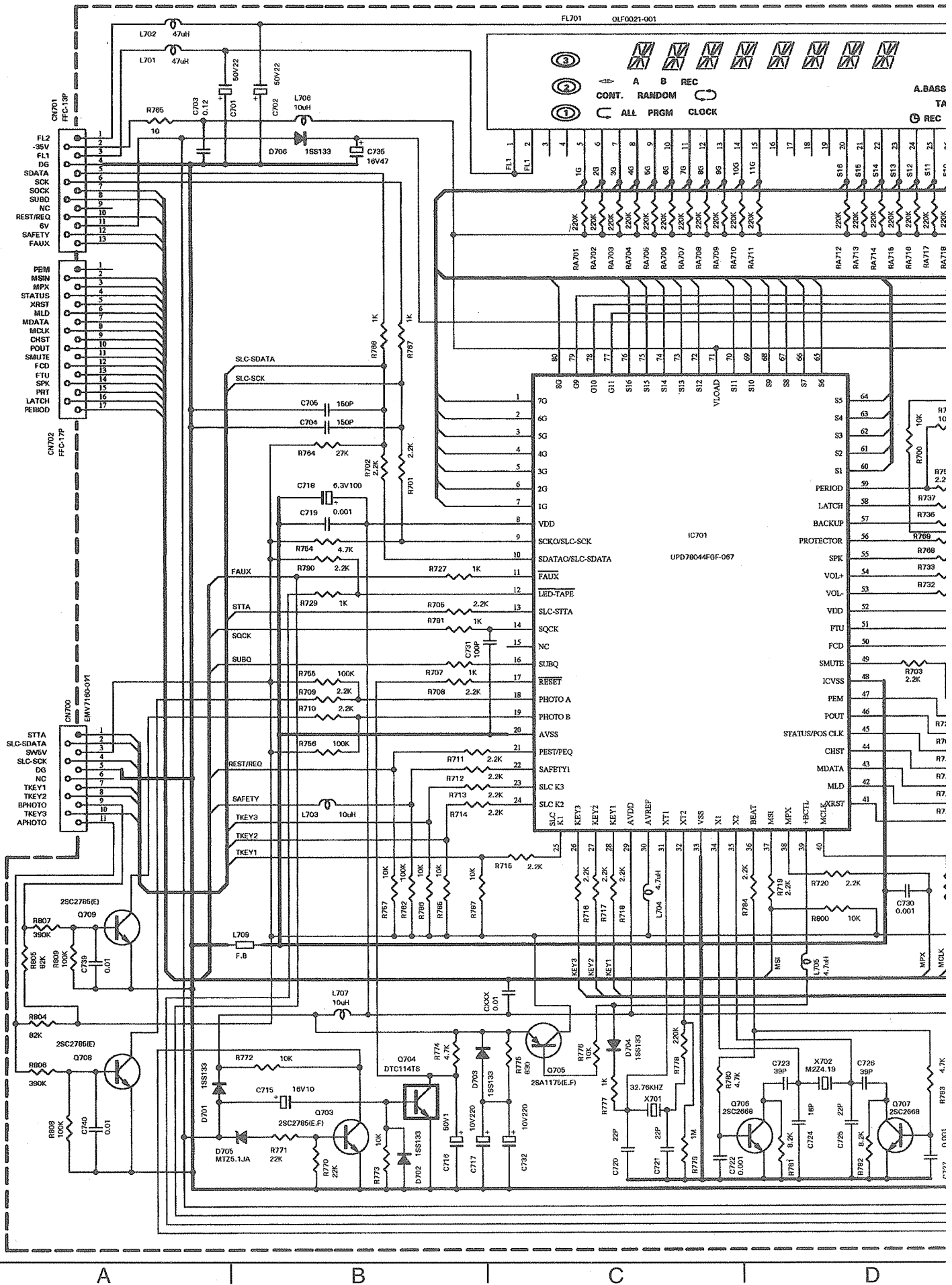
5

4

3

2

1

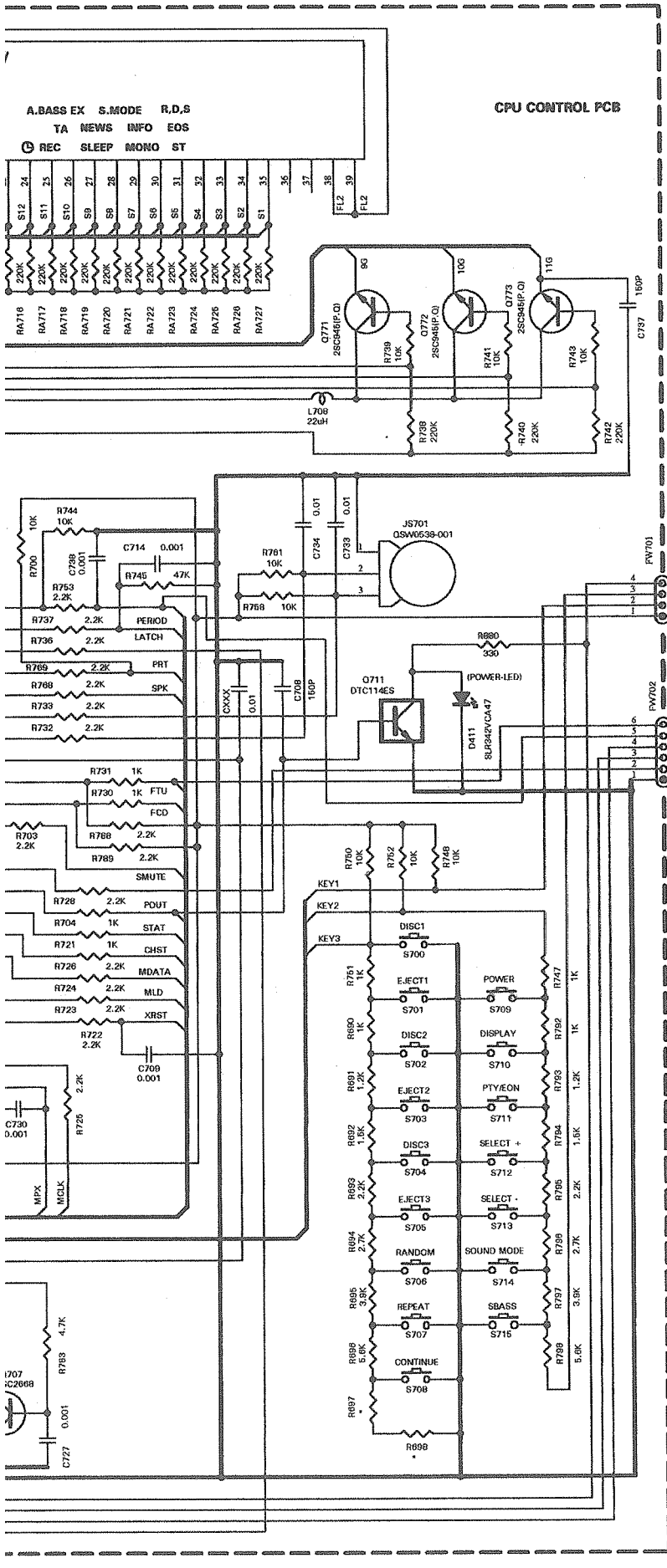


A

B

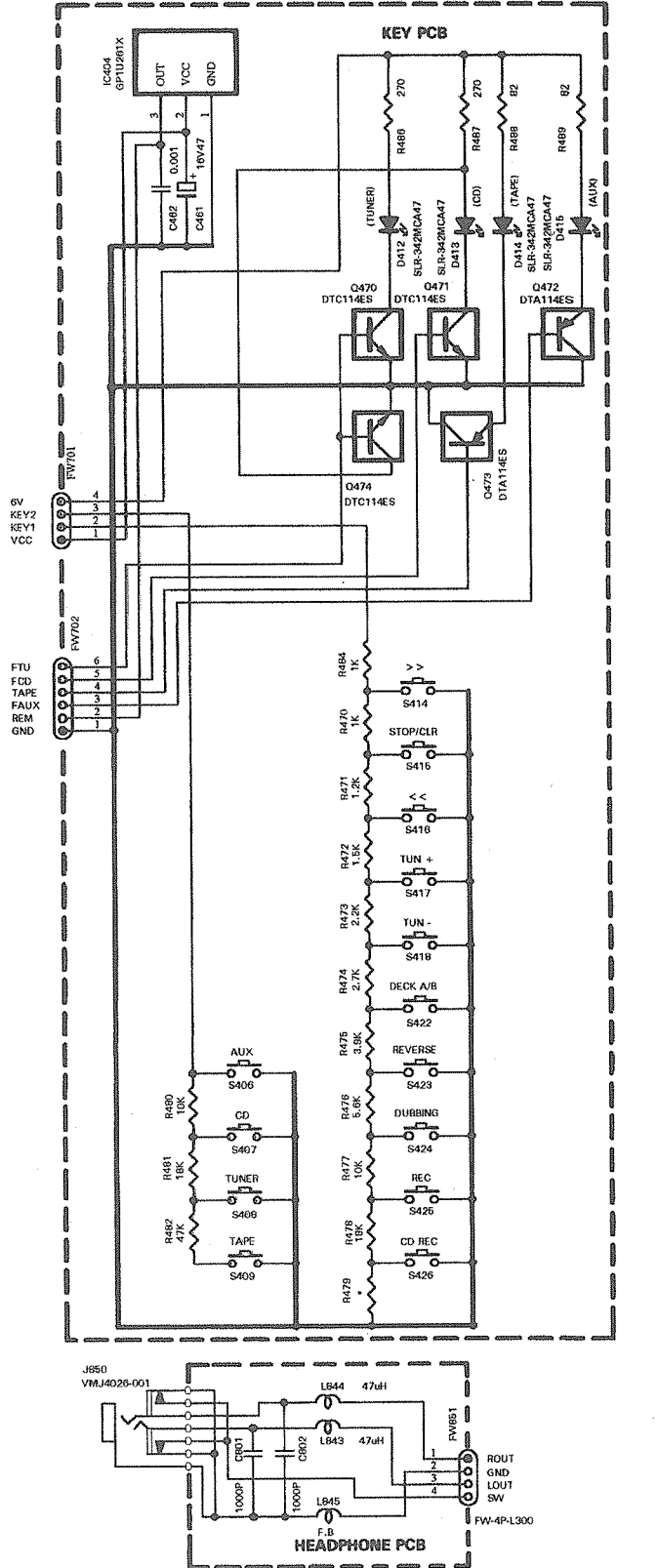
C

D

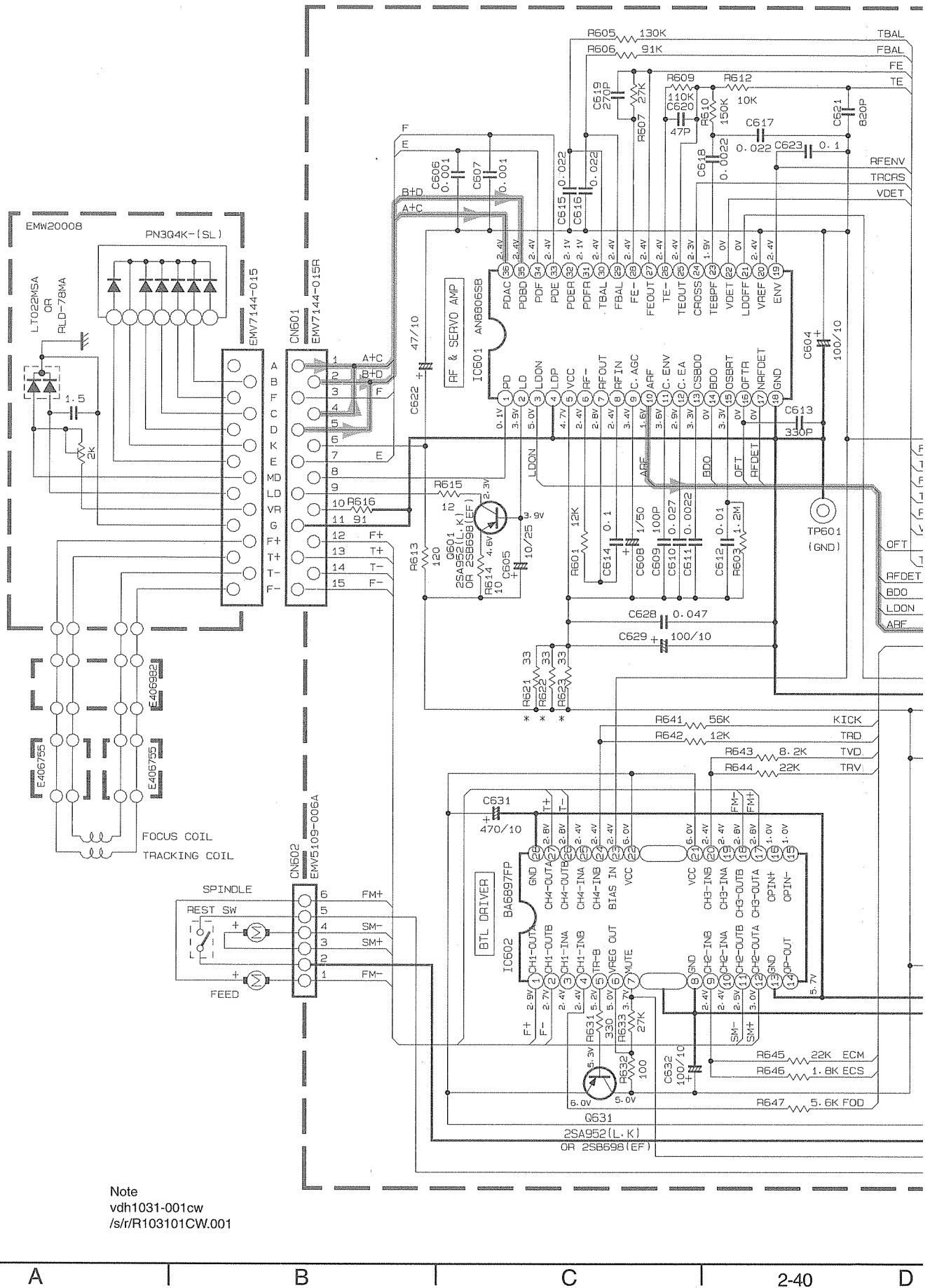


	R479	R967	R698
J	47K	OPEN	OPEN
U	OPEN	OPEN	OPEN
E	47K	JUMPER	75K
EE/EV	OPEN	18K	10K

	R479	R697	R698
A	OPEN	JUMPER	10K



CD servo & amplifier circuit



Note
vdh1031-001cw
/s/r/R103101CW.001

5

4

3

2

1

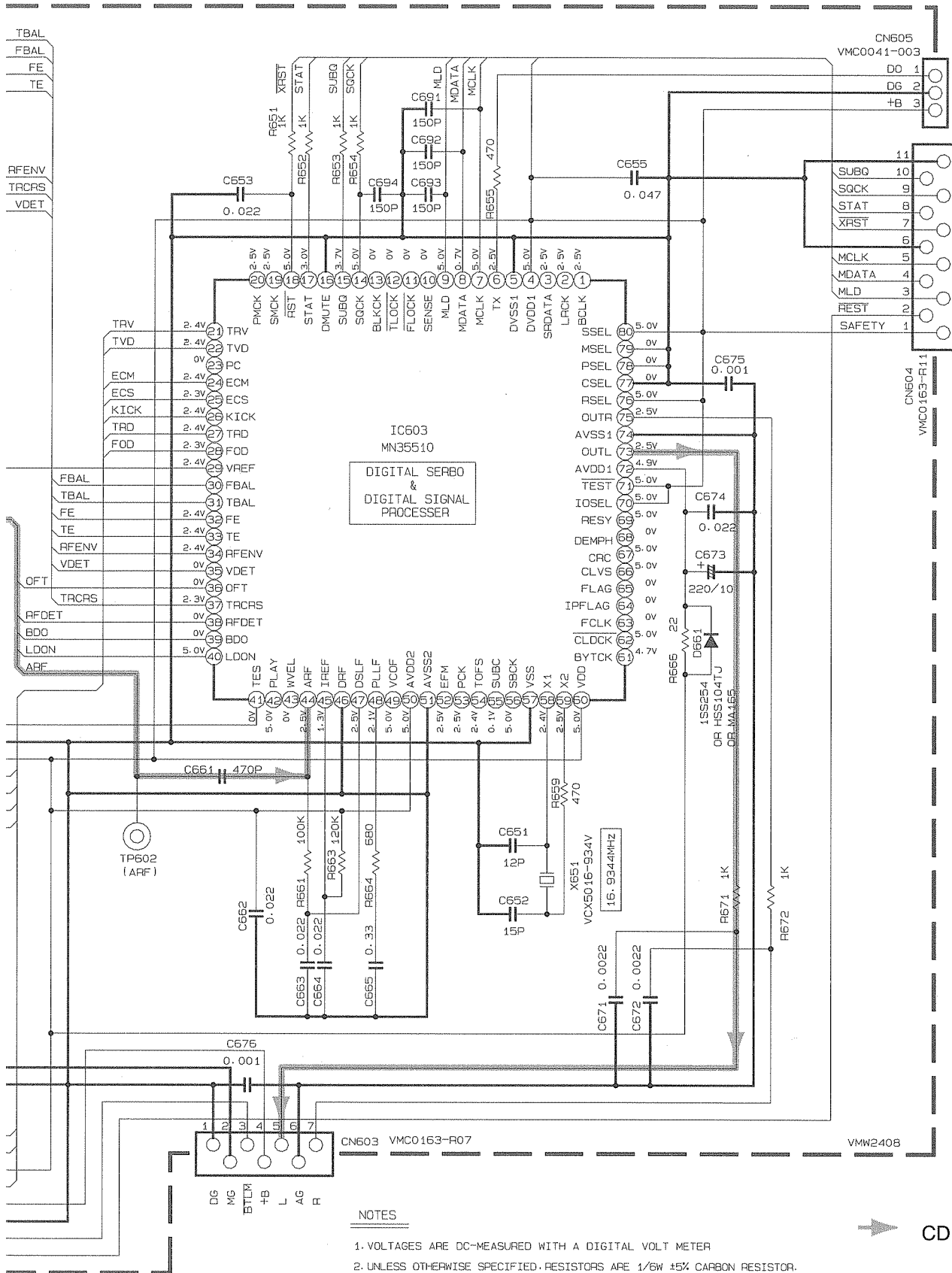
A

B

C

2-40

D

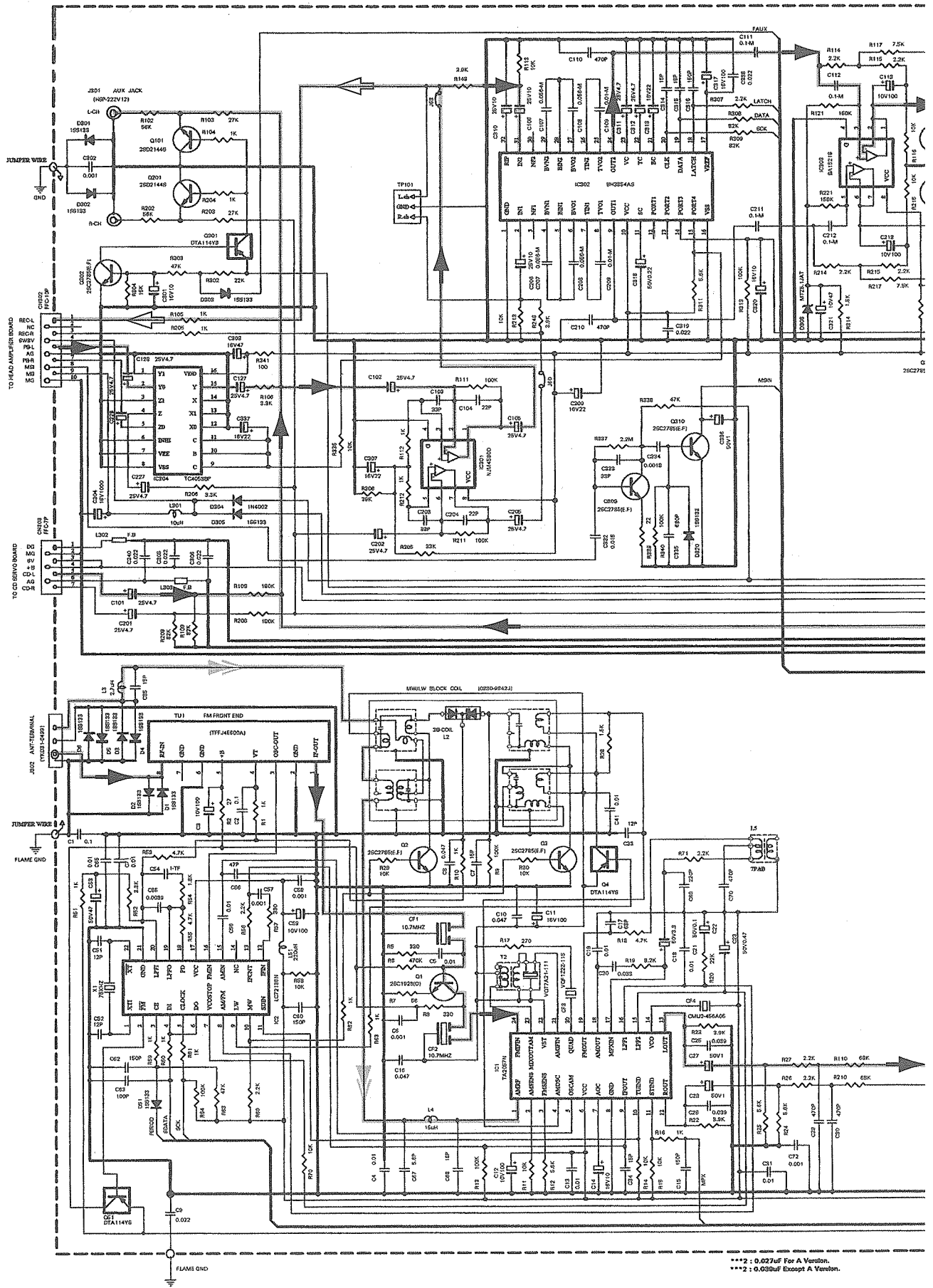


NOTES

1. VOLTAGES ARE DC-MEASURED WITH A DIGITAL VOLT METER
2. UNLESS OTHERWISE SPECIFIED, RESISTORS ARE 1/8W ±5% CARBON RESISTOR.
 ALL RESISTANCE VALUES ARE IN OHM(Ω).
 ALL CAPACITORS ARE CERAMIC CAPACITOR OR MYLAR CAPACITOR.
 ALL CAPACITANCE VALUES ARE IN # F (P=pF).
 ALL E-CAPACITORS ARE SHOWN IN THE FORM OF CAPACITANCE (#F)/RATED VOLTAGE (V).

➔ CD playback signal

Amplifier circuit



***: 0.027uF For A Version.
 ***: 0.033uF Except A Version.

5

4

3

2

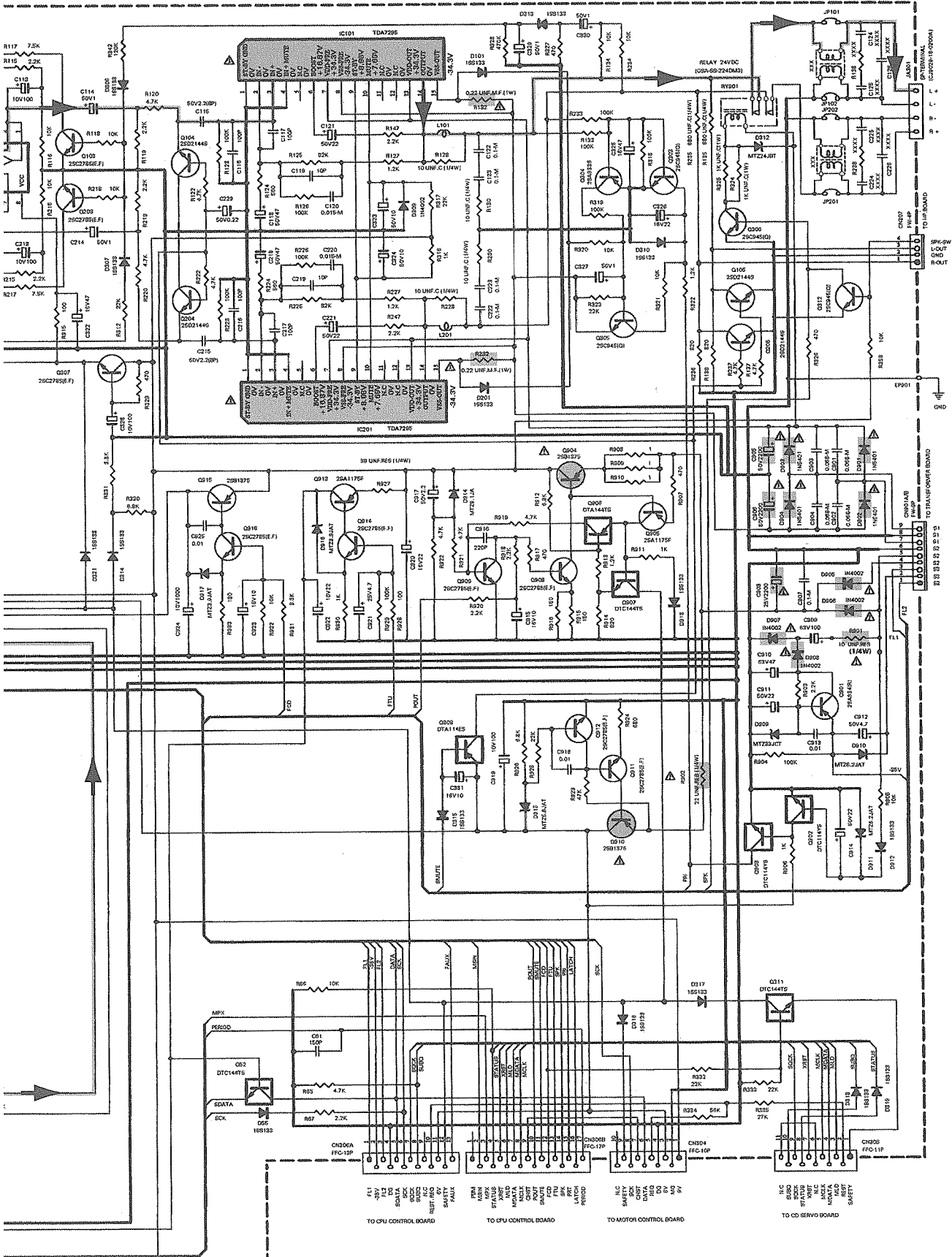
1

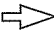


A


B

C

D



-  Rec signal
-  Rley back signal
-  MW signal

 Parts are safety assurance parts. When replacing those parts make sure to use the specified one.

-MEMO-

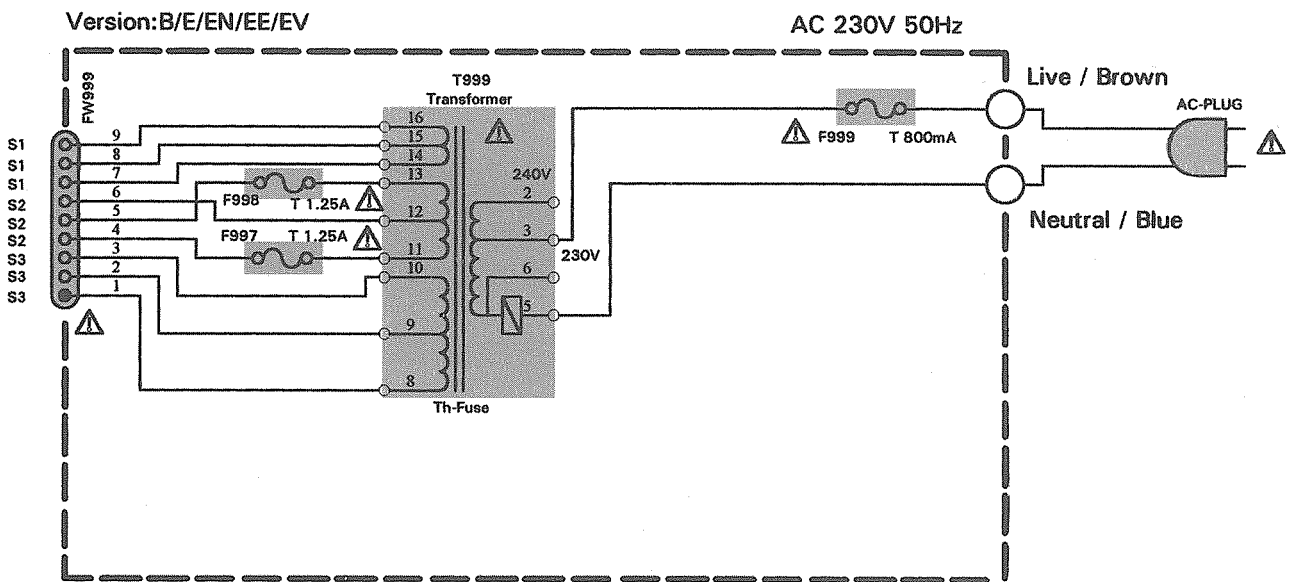
5

4

3

2

1



⚠ Parts are safety assurance parts.
When replacing those parts make sure to use the specified one.

A

B

C

D

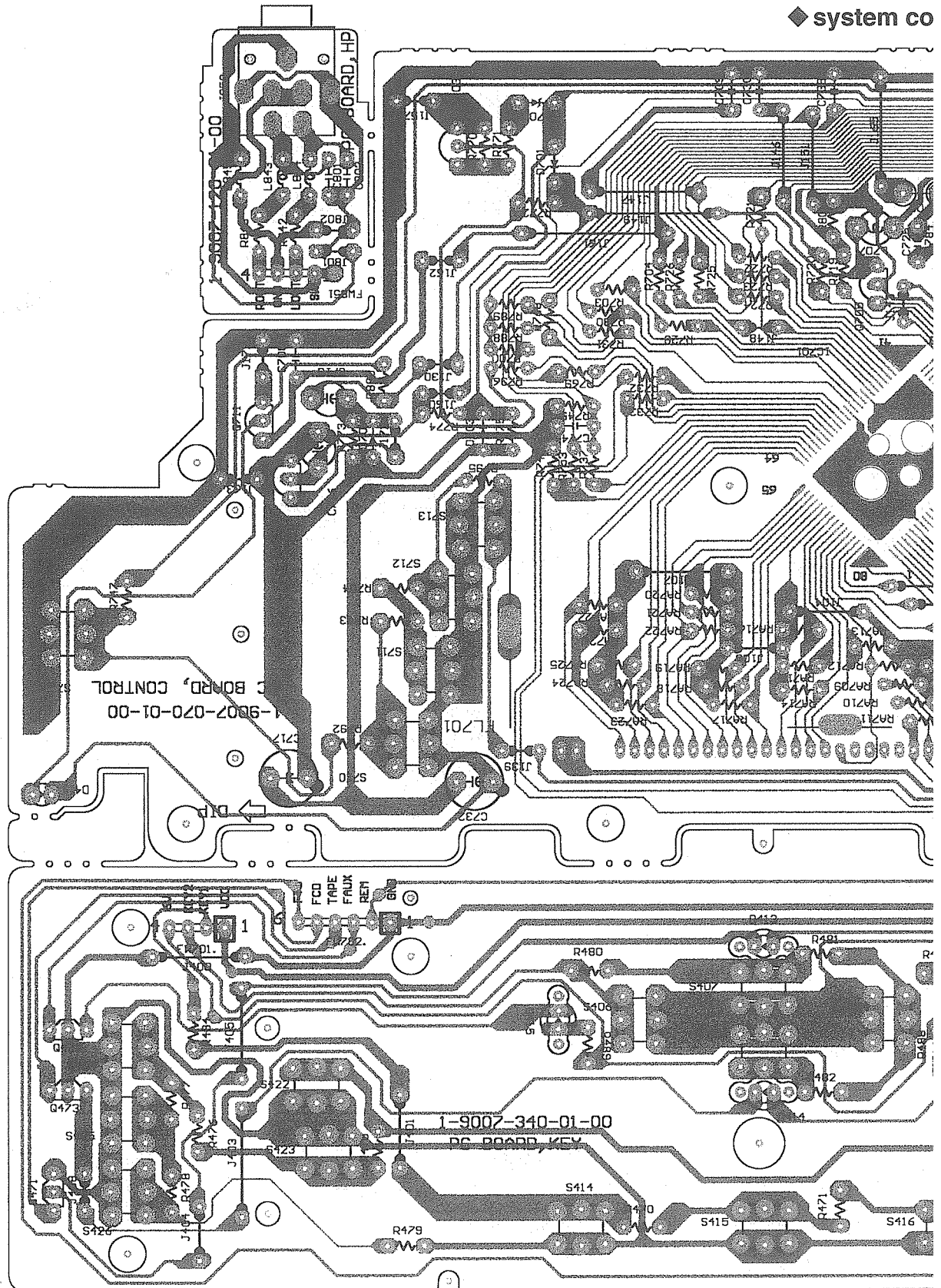
Printed circuit board

■ System control board

Block No. 0 1

◆ H.Phone jack board

◆ system co



◆ Key switch board

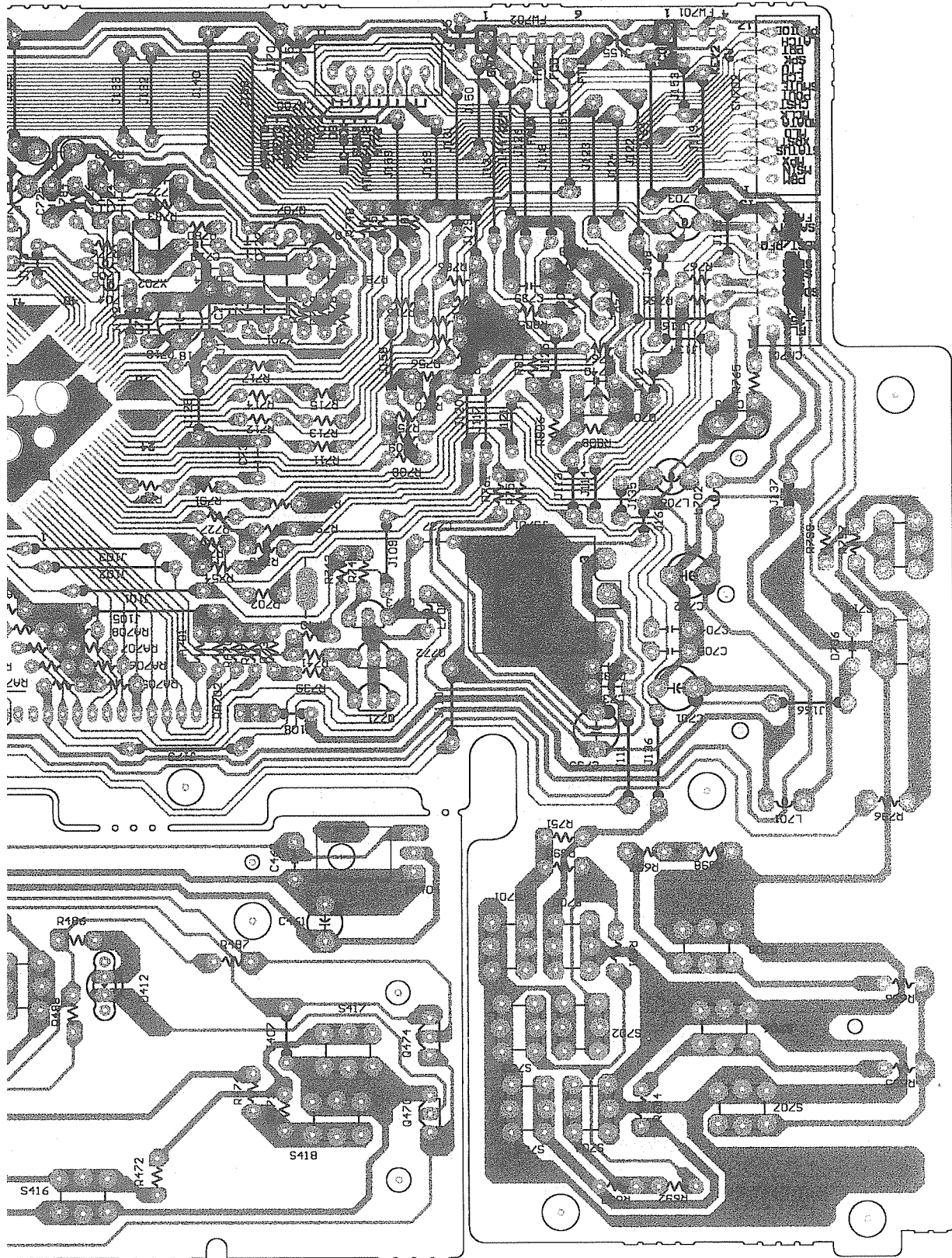
A

B

C

D

em control board

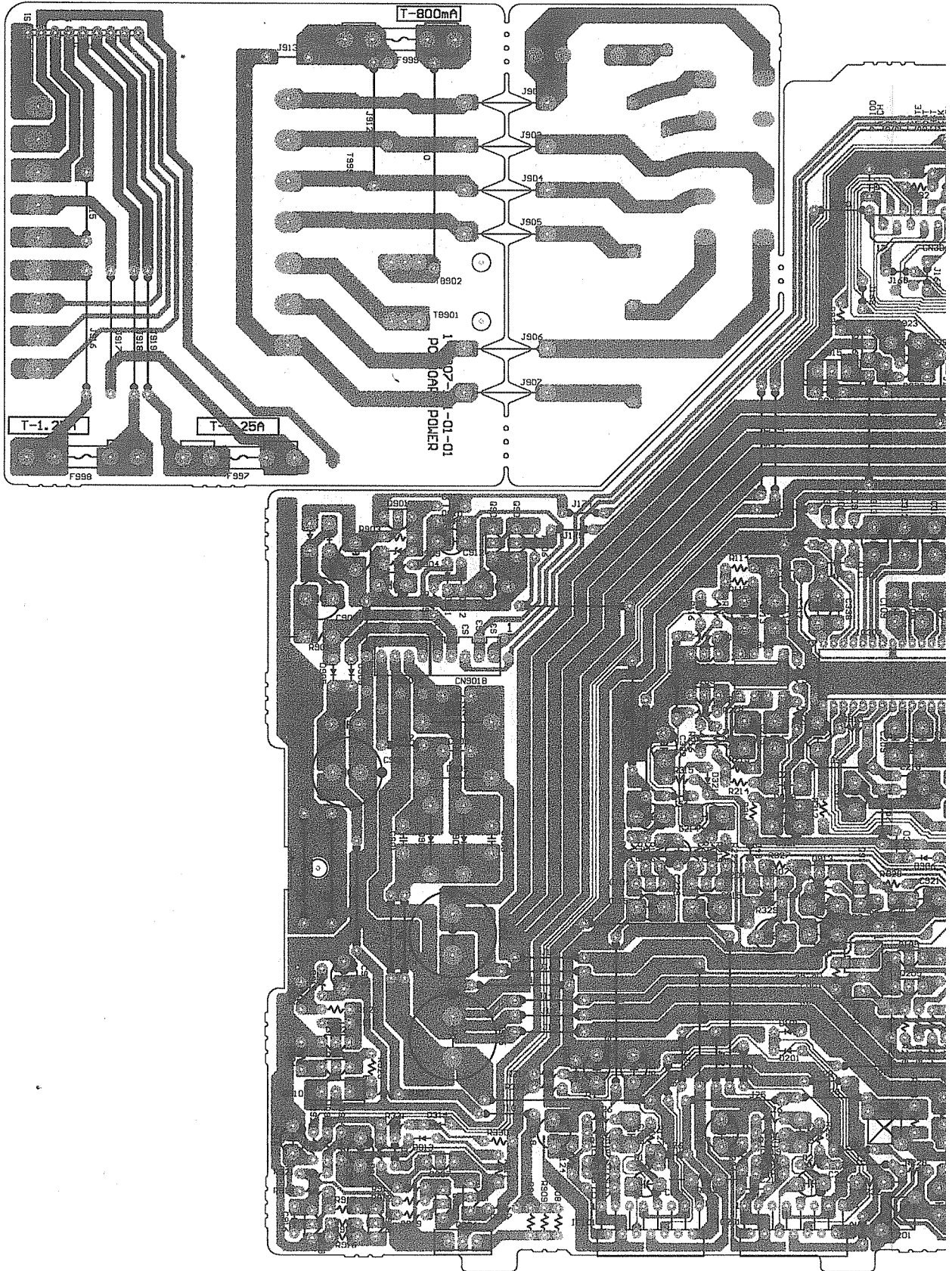


■ P.C. Board (Amplifier board)

Block No. 0 2

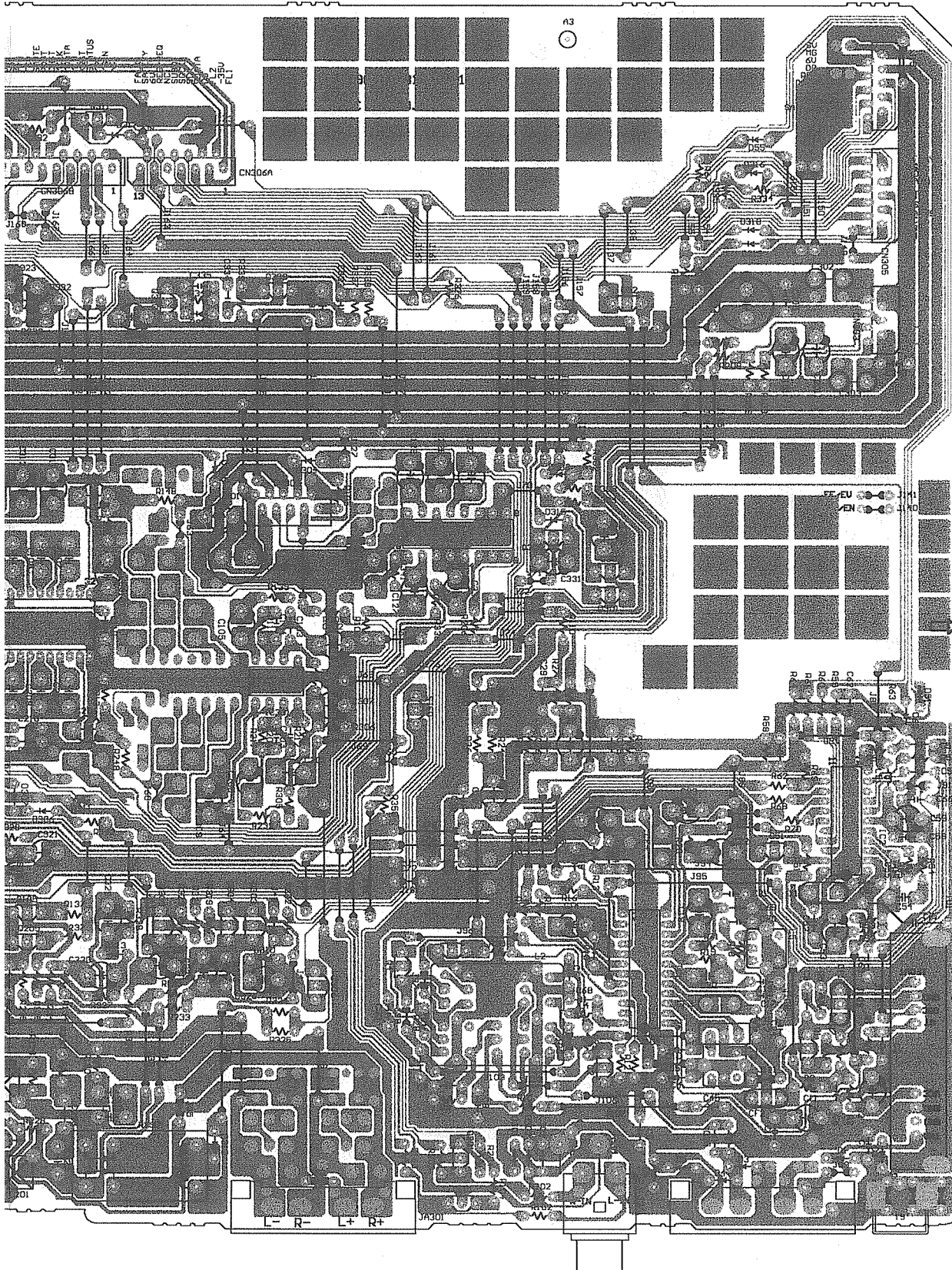
◆ Power supply board

5
4
3
2
1



A B C 2-44 D

◆ Amplifier board



■ CD Servo & amplifier board

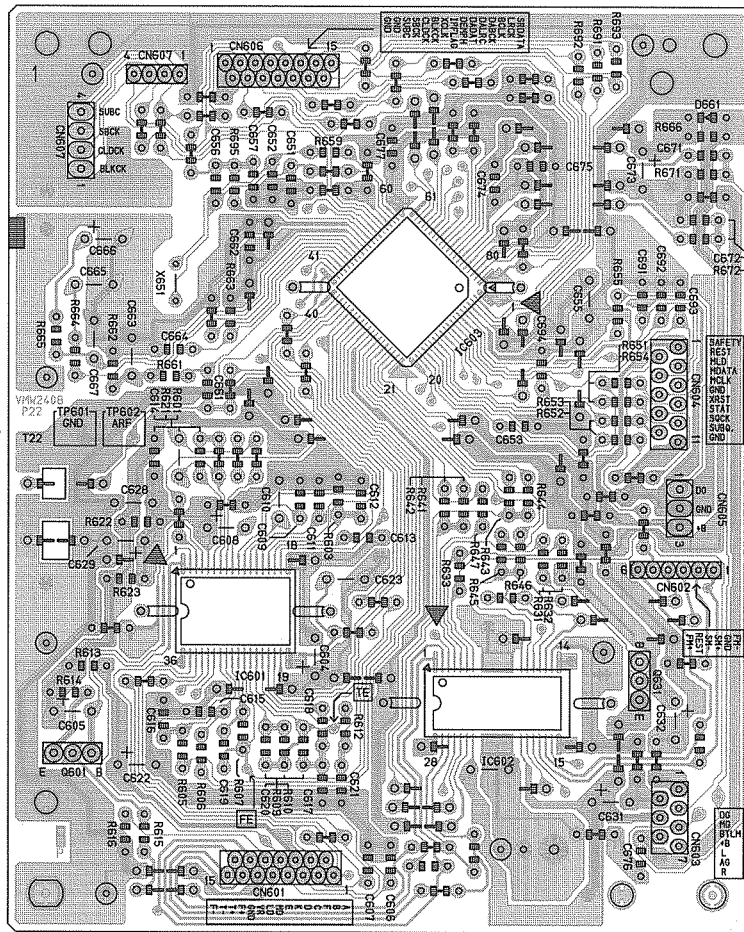
5

4

3

2

1



A

B

C

■ CD Mechanism driver board

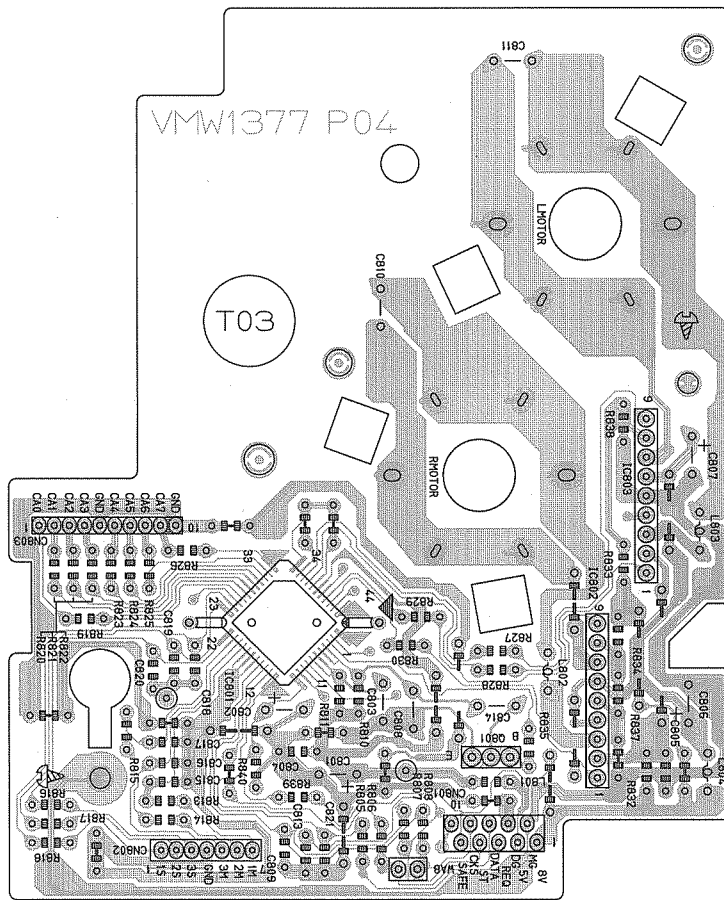
5

4

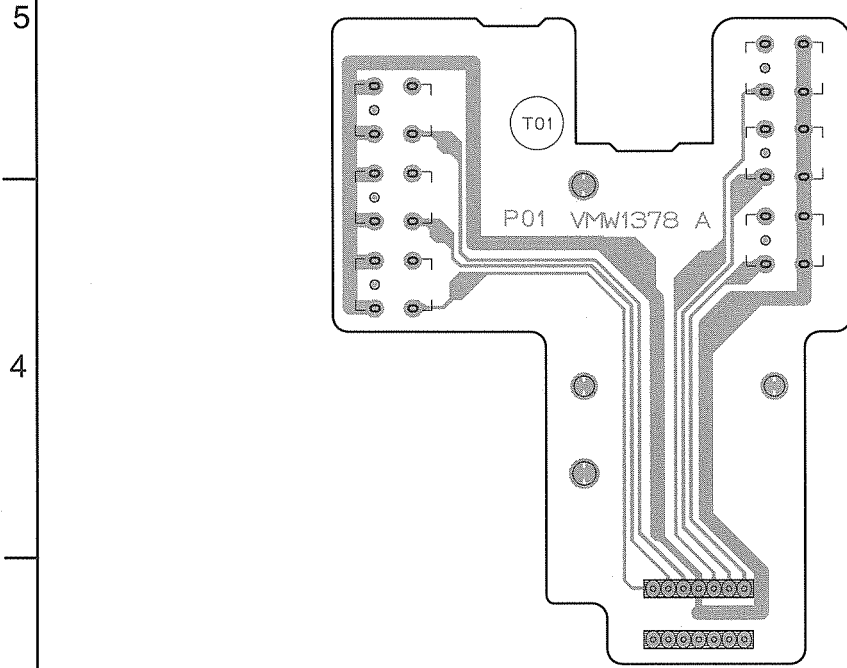
3

2

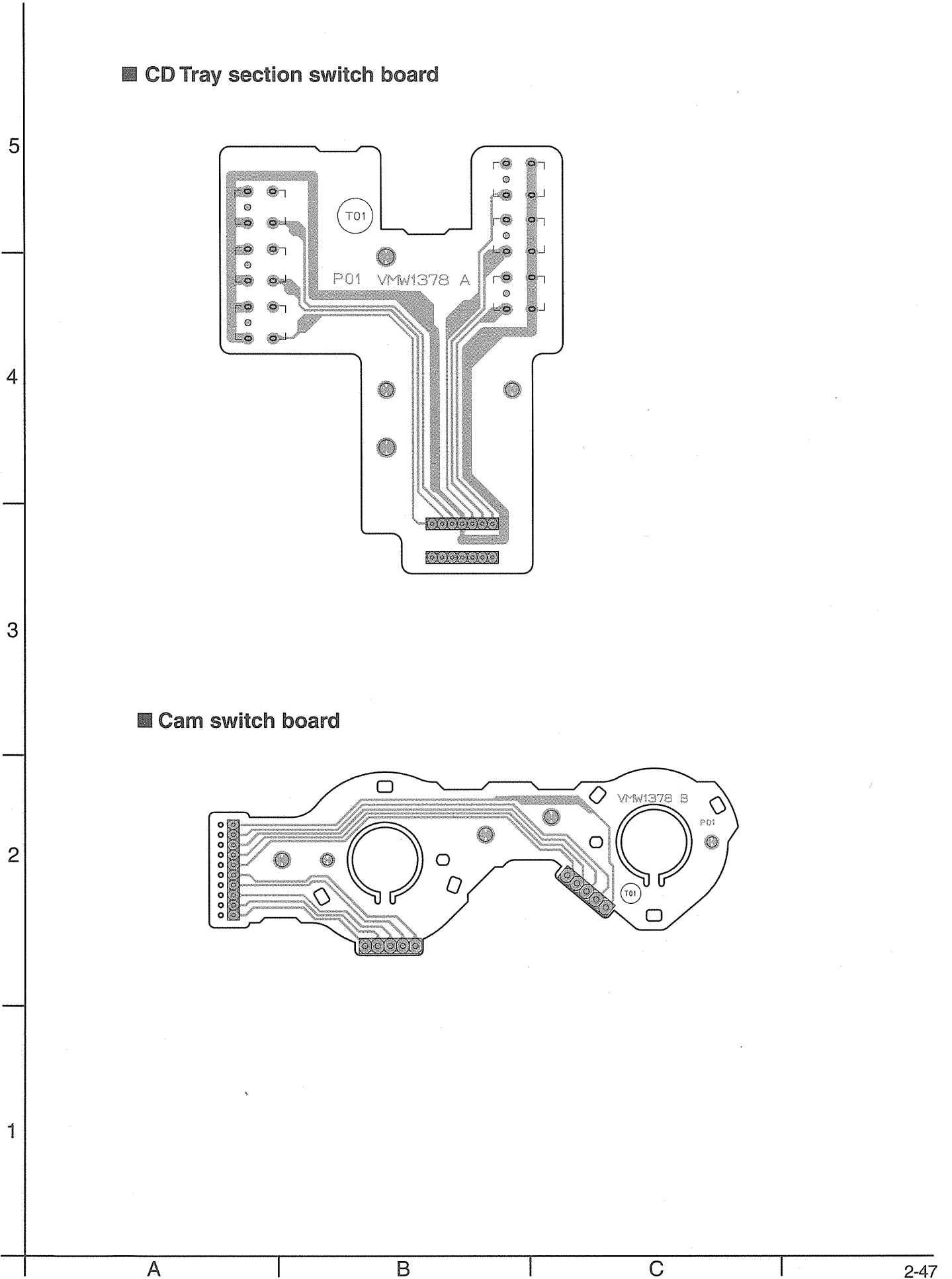
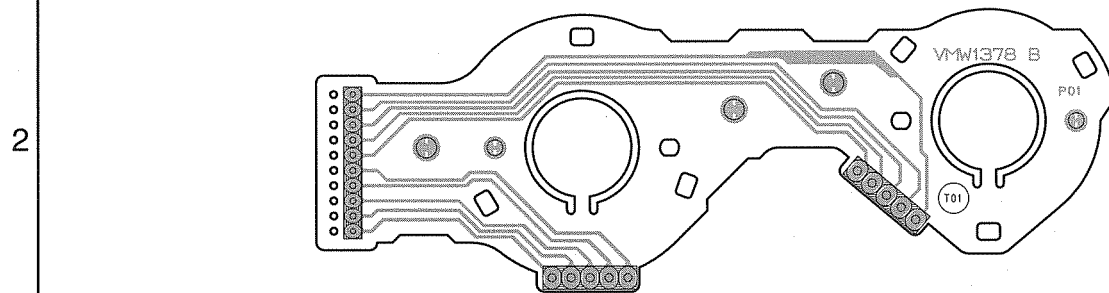
1



■ CD Tray section switch board



■ Cam switch board



■ Cassette mechanism amplifier board

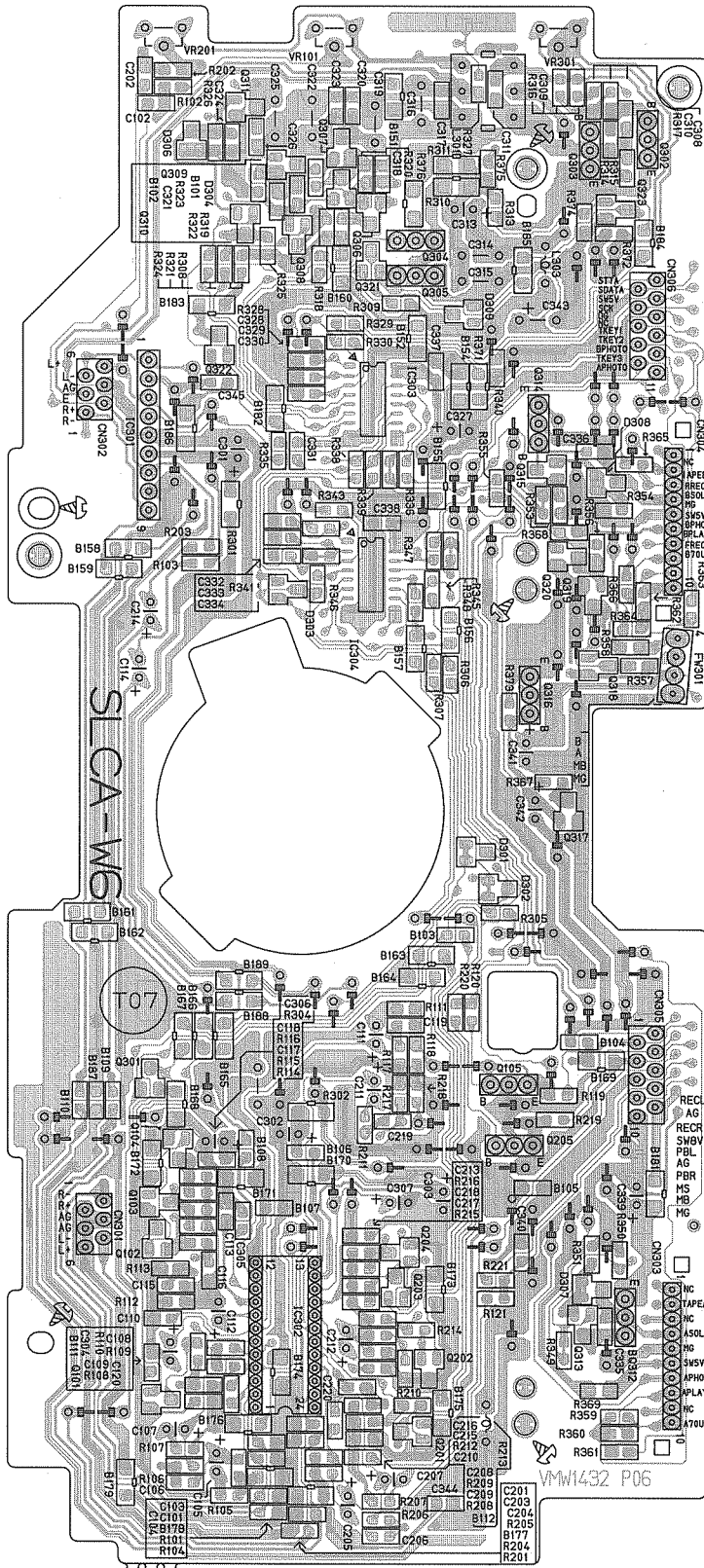
5

4

3

2

1



PARTS LIST

[MX-J10]

* All printed circuit boards and its assemblies are not available as service parts.

Areas suffix	
B -----	U.K.
E -----	Continental Europe
EN -----	Northern Europe
EV -----	Eastern Europe
EE -----	Russian Federation

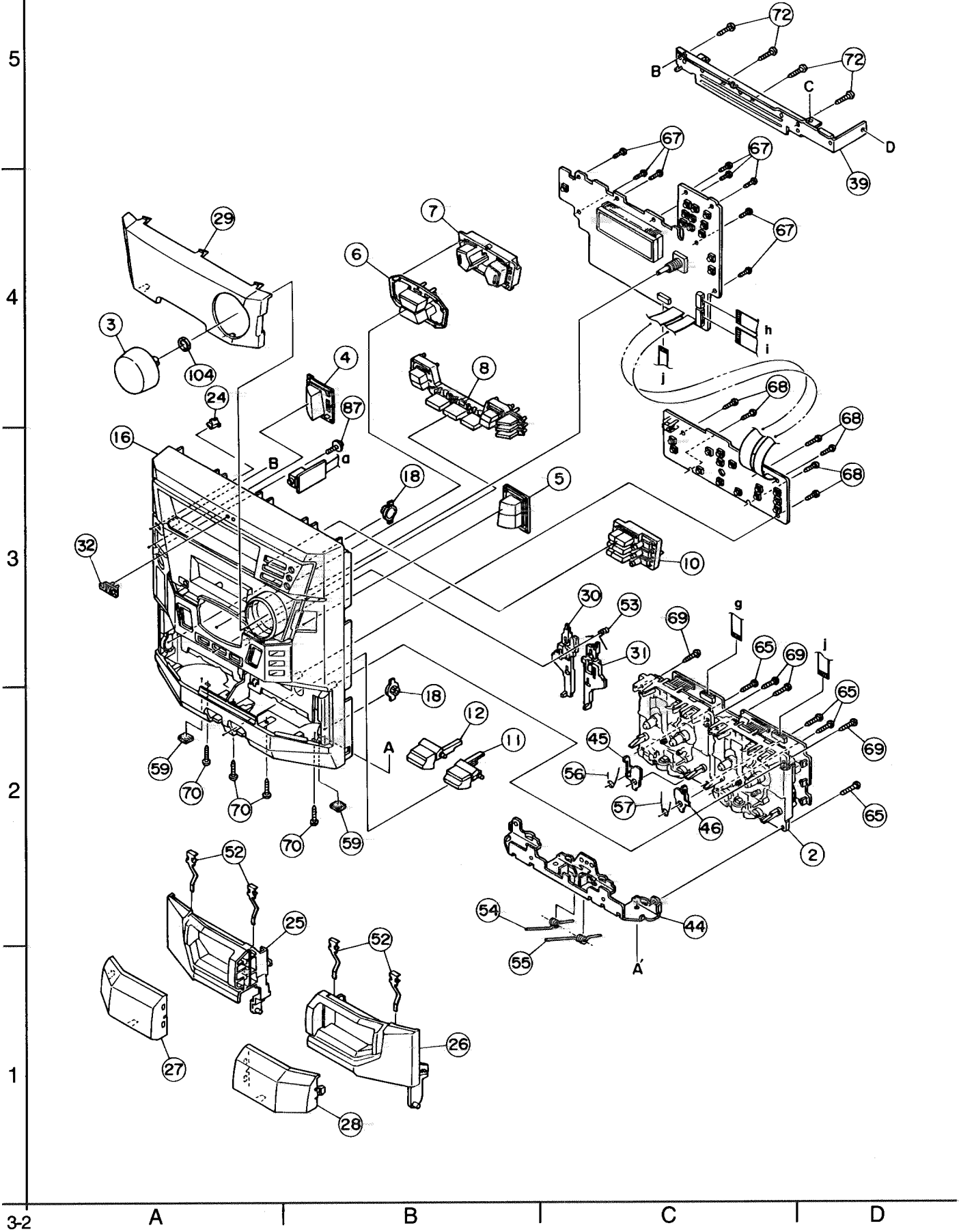
- Contents -

Exploded view of general assembly and parts list	3-2
Cassette mechanism assembly and parts list	3-6
CD changer mechanism assembly and parts list	3-8
CD mechanism assembly and parts list	3-10
Electrical parts list	3-11
Packing materials and accessories parts list	3-24

Exploded view of general assembly and parts list(1/2)

Block No.

M	1	M	M
---	---	---	---



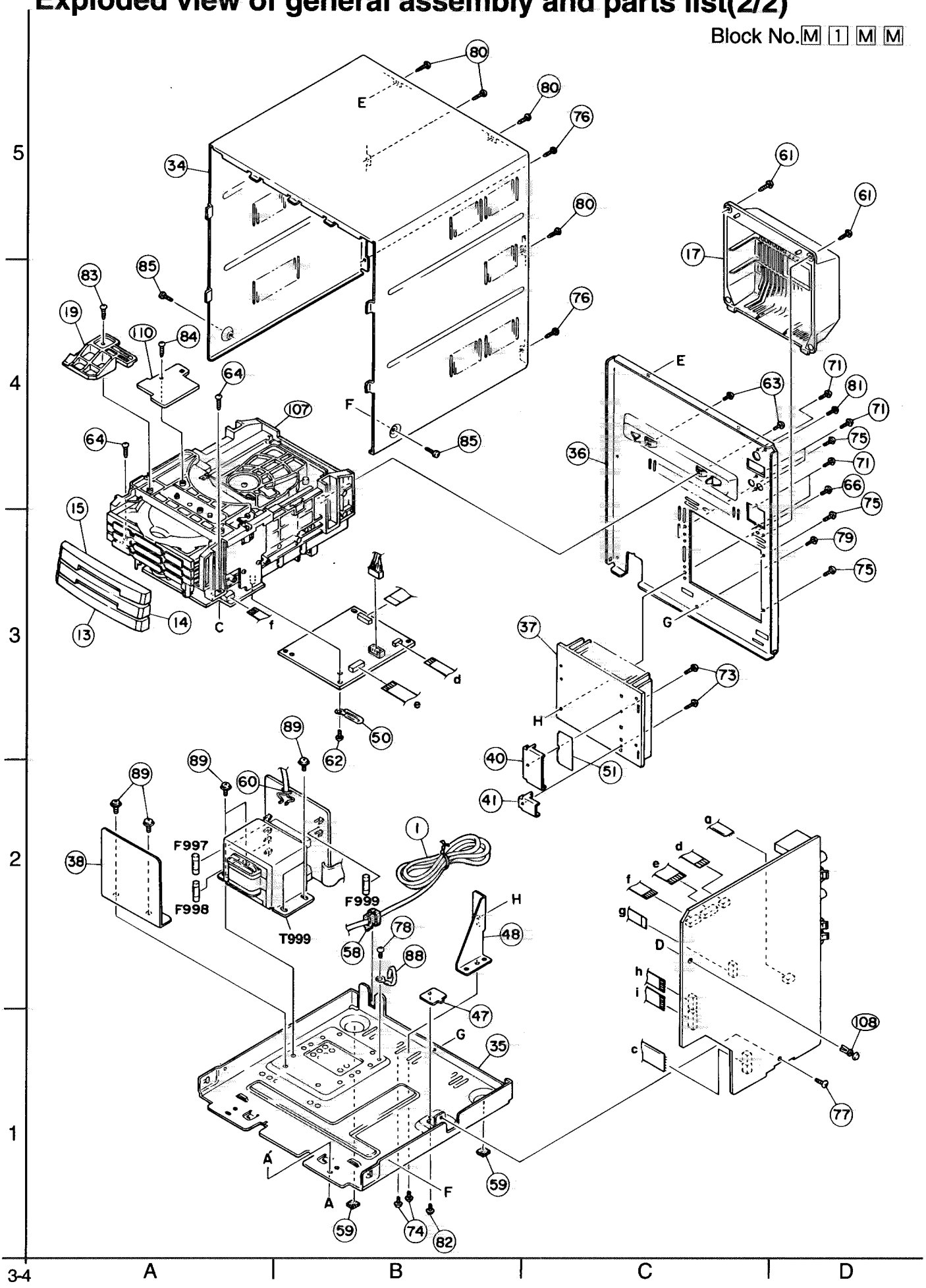
■ parts list 1/2 (General assembly)

BLOCK NO. M1111

REF.	PARTS NO.	PARTS NAME	REMARKS	QTY	SUFFIX	CLR
2	-----	DECK MECHA		1		
3	GJ460170130101	KNOB VOLUME		1		
4	GJ460170200103	BUTTON POWER		1		
5	GJ460170150101	BUTTON	BASS/SOUND	1		
6	MXJ10K-BUTTON-A	BUTTON	MODE A	1		
7	MXJ10K-BUTTON-B	BUTTON	MODE B	1		
8	GJ460170120101	BUTTON CONTROL		1		
10	GJ460170080101	BUTTON EJECT	CD	1		
11	GJ460170060101	BUTTON EJECT L	CASS	1		
12	GJ460170070101	BUTTON EJECT R	CASS	1		
16	GJ460170010101	FRONT CABINET		1		
18	GJ751000030101	DAMPER GEAR	VYH7779	2		
24	GJ460170090101	INDICATOR	POWER	1		
25	GJ460170160101	DOOR CASS L		1		
26	GJ460170170101	DOOR CASS R		1		
27	GJ460170180101	LENS CASS L		1		
28	GJ460170190101	LENS CASS R		1		
29	GJ460170020101	LENS DISPLAY		1		
30	GJ460170310101	EJECT LEVER L		1		
31	GJ460170320101	EJECT LEVER R		1		
32	GJ460170330101	LOGO JVC		1		
39	GJ560170010101	STAY BRACKET	CD	1		
44	GJ560170050101	BRACKET HOLDER	CASS	1		
45	GJ560170180101	BRACKET A	FMKL4012	1		
46	GJ560170190101	BRACKET B	FMKL4013	1		
52	GJ711001200101	SPRING	TAPE	4		
53	GJ711001210101	SPRING	EJECT LEVER	1		
54	GJ711001220101	SPRING	CASS DOOR L	1		
55	GJ711001230101	SPRING	CASS DOOR R	1		
56	GJ711001240101	SPRING A	EJECT SAFETY	1		
57	GJ711001250101	SPRING B	EJECT SAFETY	1		
59	GJ763000320106	FELT SHEET		2		
65	GJ702244300812	SCREW	HOLDER/DECK	4		
67	GJ702244260812	SCREW	PCB/PANEL	8		
68	GJ702244260812	SCREW	PCB/PANEL	6		
69	GJ702244301012	SCREW	DECK/PANEL	4		
70	GJ702244301012	SCREW	HOLDER/PANEL	4		
72	GJ702244301012	SCREW	STAY BRACKET	4		
87	E65923-003	TAPPING SCREW	JACK/PANEL	1		
104	-----	NUT (VOL. KNOB)	ACCESSORIES	1		

Exploded view of general assembly and parts list(2/2)

Block No. M 1 M M



parts list 2/2 (General assembly)

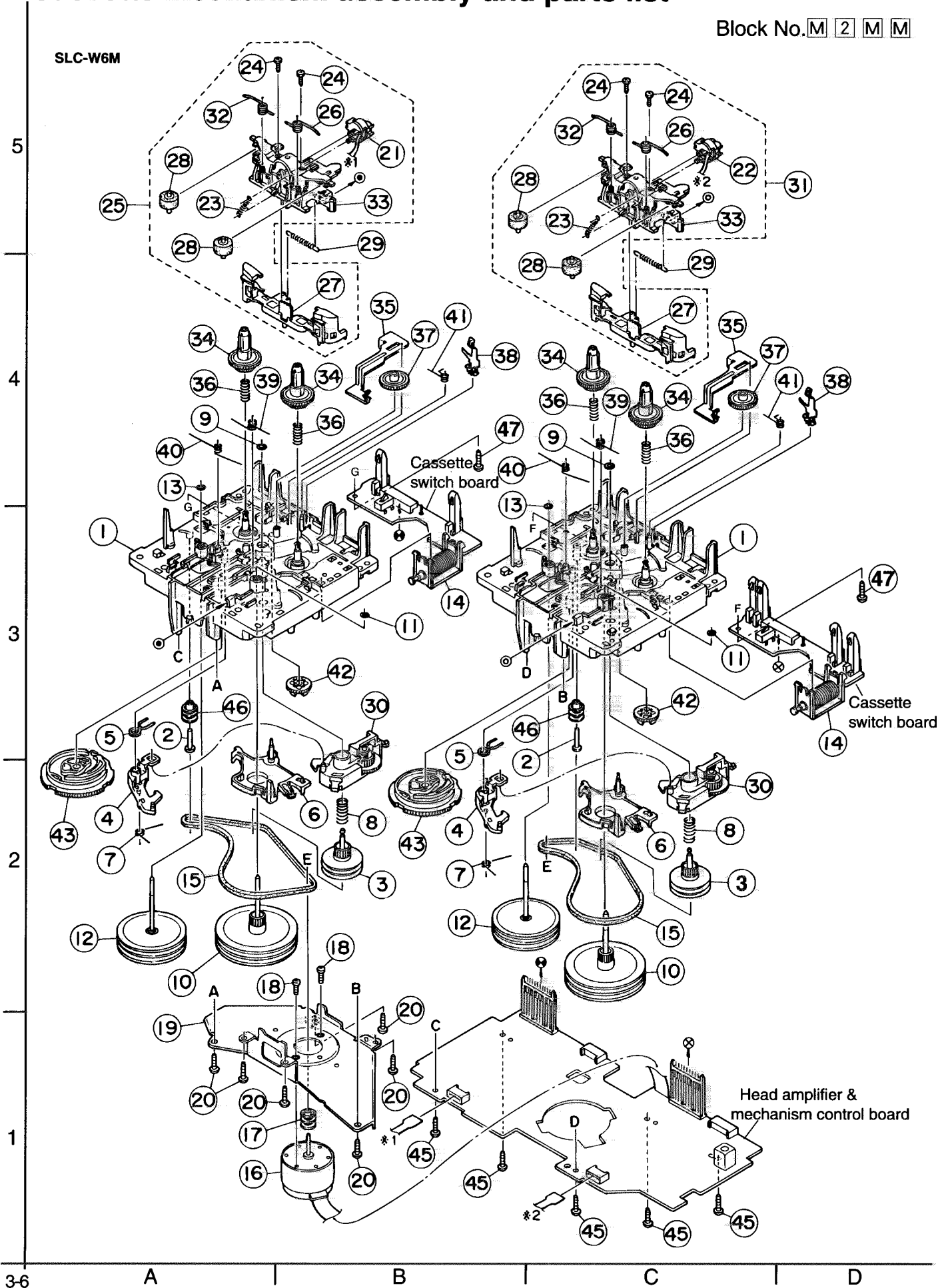
BLOCK NO. **FMMA** [] [] [] []

REF.	PARTS NO.	PARTS NAME	REMARKS	QTY	SUFFIX	CLR
1	GJ350432052119	POWER CORD		1	B	
	QMP3900-200L	POWER CORD		1	E,EE,EN,EV	
13	GJ460170030101	COVER CD TRAY A		1		
14	GJ460170040101	COVER CD TRAY B		1		
15	GJ460170050101	COVER CD TRAY C		1		
17	GJ460170280101	HEAT SINK COVER		1		
19	GJ460170340101	BRACKET	DISC STOP	1		
34	560170080101/S/	METAL COVER		1		
35	GJ560170090101	BOTTOM CASE		1		
36	GJ560170070101	CASE REAR		1		
37	GJ780000170100	HEAT SINK		1		
38	GJ560170060101	SHIELD TRANS	FMMA4003	1		
40	GJ560170100101	BRACKET A	HEATSINK	1		
41	GJ560170110101	BRACKET B	HEATSINK	1		
47	GJ560170040101	BRACKET PCB		1		
48	GJ560170200101	BRACKET	HEAT SINK	1		
50	GJ370339701	CLAMP		1		
51	GJ735000040003	MICA	HEAT SINK	1		
58	GJ796000030000	CORD BUSHING		1		
59	GJ763000320106	FELT SPACER		2		
60	GJ732000010101	POWERCORD BAND	POWER CORD	1		
61	GJ702244300812	SCREW	HEAT SINK COVER	2		
62	GJ702244300812	SCREW	PCB/CHANGER	1		
63	GJ702244300812	SCREW	CHANGER/REAR	2		
64	GJ702244300812	SCREW	STAY	2		
66	GJ702244300812	SCREW	H.S BKT./R.CASE	1		
71	GJ702244301012	SCREW	JACK	5		
73	GJ702244301412	SCREW	IC/HEAT SINK	2		
74	GJ702244300612	SCREW	HEAT	2		
75	GJ702244300612	SCREW	HEAT SINK/REAR	3		
76	GJ702244300612	SCREW	TOP/REAR/BOTTOM	2		
77	GJ702244300612	SCREW	BKT	1		
78	GJ702244300612	SCREW	WIRE CLAMP	1		
79	GJ702244300612	SCREW	REAR/BOTTOM CAS	1		
80	GJ702244300612	SCREW	TOP/REAR CASE	4		
81	GJ702244300612	SCREW	PCB BKT/REAR	1		
82	GJ702244300612	SCREW	BOTTOM CASE/PCB	1		
83	GJ702244300612	SCREW	DISC STOP	1		
84	GJ702244300612	SCREW	PCB/CHANGER	1		
85	GJ702244300652	SCREW	TOP/BOTTOM CASE	2		
88	GJ727450540503	SOLDER		1		
89	GJ702264400612	SCREW	X' FORMER	6		
107	-----	CD CHANGER		1		
108	GJ421038001	RIVET/SNAP		1		
110	-----	PC BOARD	NO SERVICE	1		
F 997	QMF51E2-1R25	FUSE		1		
F 998	QMF51E2-1R25	FUSE		1		
F 999	QMF51E2-R80-J1	FUSE		1		
T 999	FMTP66M8-65A	POWER TRANS		1		

Cassette mechanism assembly and parts list

Block No. M 2 M M

SLC-W6M



■ parts list (Cassette mechanism)

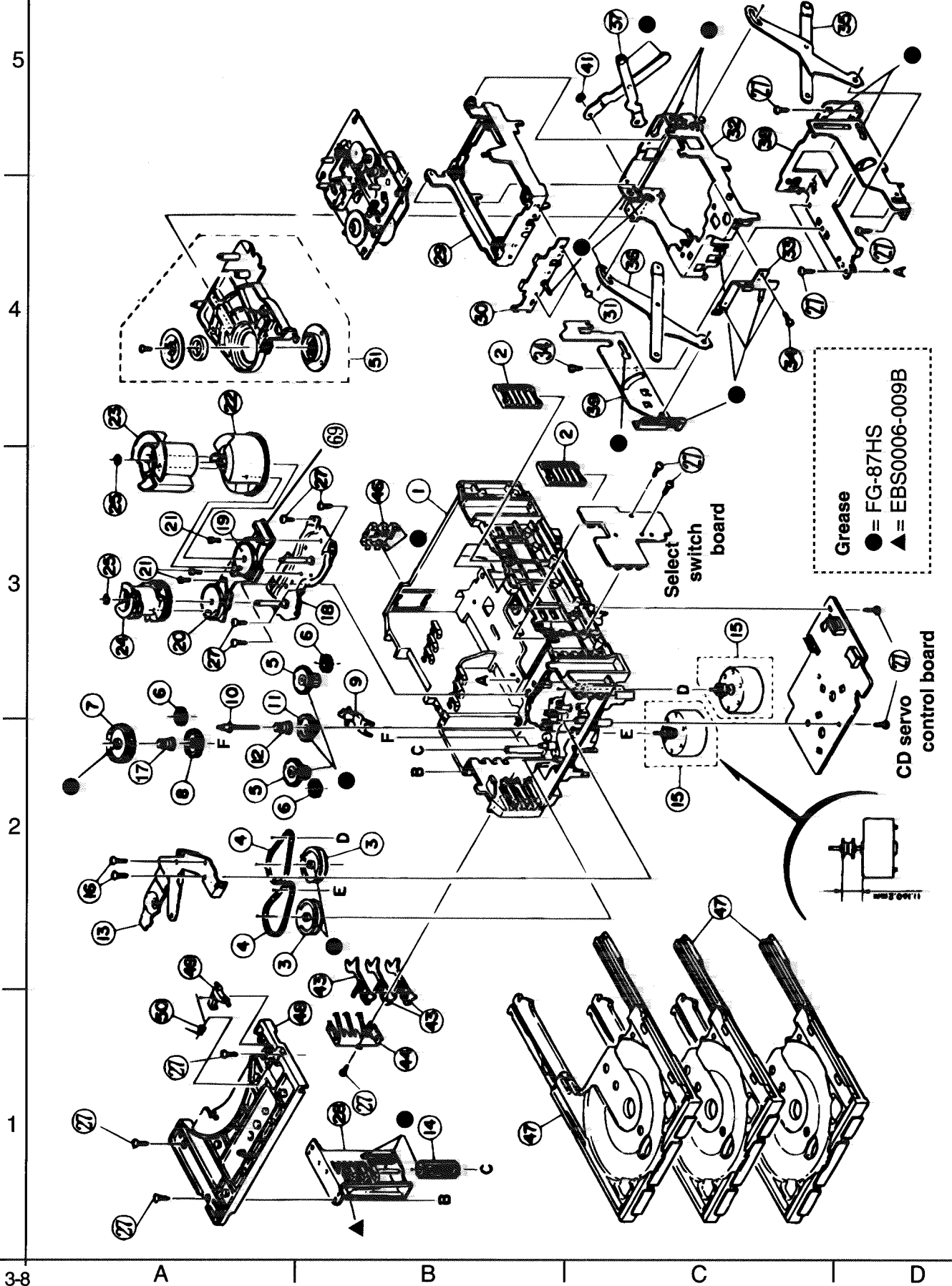
BLOCK NO. **M2PM** [] [] [] []

REF.	PARTS NO.	PARTS NAME	REMARKS	QTY	SUFFIX	CLR
1	VKS1165-00H	CHASSIS B.ASS'Y		2		
2	VKH5786-002	SHAFT		2		
3	VKS5603-00D	MAIN PULLEY ASY		2		
4	VKS3785-001MM	FR ARM		2		
5	VKW5284-002	SWING SPRING		2		
6	VKS2278-003	TRIGGER ARM		2		
7	VKW5301-001	FR SPRING		2		
8	VKW5266-001	ELEVATOR SPRING		2		
9	WDL214025	WASHER		2		
10	VKF3205-00B	F.WHEEL ASSY(R)		2		
11	WDL183425	SLIT WASHER		2		
12	VKF3207-00B	F.WHEEL ASSY(L)		2		
13	WDL173525-6	SLIT WASHER		2		
14	VKZ3174-00A	DC SOLENOID		2		
15	VKB3000-182	CAPSTAN BELT(B)		2		
16	MSI-5U2LWA	D.C.MOTOR ASS'Y		1		
17	VKR4761-001	MOTOR PULLEY		1		
18	QYSPSP2604Z	SCREW		2		
19	VKM3907-001	JOINT BRACKET		1		
20	QYSBSF2608Z	T.SCREW		6		
21	LV41090-001A	P.B.HEAD		1		
22	LV41089-001A	R/P&E HEAD		1		
23	VKW5302-001	HEAD SPRING		2		
24	VKZ4730-001	SPECIAL SCREW		4		
25	VKS2279-00D	HEAD MOUNT ASSY		1		
26	VKW5299-002	PIN ROL.SP.(R)		2		
27	VKS2277-005	DIRECTION LEVER		2		
28	VKP4233-00A	PINCH ROL. ASSY		4		
29	VKW5285-001	RETURN SPRING		2		
30	VKS3786-00G	CLUTCH ASS'Y		2		
31	VKS2275-00D	HEAD MOUNT ASSY		1		
32	VKW5300-002	PIN ROL.SP.(L)		2		
33	VKS1167-001	HEAD MOUNT BASE		2		
34	VKS2274-002	REEL GEAR		4		
35	VKM3906-003	PLAY SW LEVER		2		
36	VKW5286-002	B.T. SPRING		4		
37	VKS5559-001	PLAY IDLE GEAR		2		
38	VKY3149-002	CASSETTE SP.		2		
39	VKW5279-001	HEAD BASE SP(R)		2		
40	VKW5280-001	HEAD BASE SP(L)		2		
41	VKW5296-001	EARTH SPRING		2		
42	VKS5597-00A	BLIND		2		
43	VKS1166-003	CONTROL CAM		2		
45	QYSBSF2608Z	T.SCREW	FOR P.W.B.	5		
46	VKR4749-002	IDLE PULLEY		2		
47	QYSBSF2006Z	SCREW		2		

CD changer mechanism assembly and parts list

Block No. M 4 M M

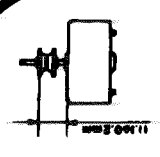
C3DYPM



Grease
 ● = FG-87HS
 ▲ = EBS0006-009B

Select switch board

CD servo control board



parts list (CD changer mechanism)

BLOCK NO. **04MM**

REF.	PARTS NO.	PARTS NAME	REMARKS	QTY	SUFFIX	CLR
1	VKS1144-003	CHASSIS		1		
2	VKS3698-003	TRAY GUIDE		2		
3	VKS5532-003	PULLEY GEAR		2		
4	VKB3000-164	BELT		2		
5	VKS5505-003	GEAR B		2		
6	VKS5506-002	GEAR C		3		
7	VKS5507-002	CROSS GEAR U		1		
8	VKS5508-002	CROSS GEAR L		1		
9	VKS5510-003	SELECT LEVER		1		
10	VKH5769-001	S.G.SHAFT		1		
11	VKS5511-002	SELECT GEAR		1		
12	VKW5155-003	COMP.SPRING	FOR SELECT GEAR	1		
13	VKM3846-002	GEAR BRACKET		1		
14	VKS5509-002MM	CYLINDER GEAR		1		
15	MSN5D257A-SA2	D.C.MOTOR ASS'Y		2		
16	QYSPSPD2616Z	SCREW		2		
17	LV40612-001A	COMP.SPRING		1		
18	VKM3825-00AMM	C.G.BASE ASS'Y		1		
19	VKZ3172-00ASS	CAM SW. R ASS'Y		1		
20	VKZ3173-00ASS	CAM SW. L ASS'Y		1		
21	QYSPST2606Z	SCREW	FOR CAM SW.	3		
22	VKS2263-002MM	CAM R1		1		
23	VKS2264-002MM	CAM R2		1		
24	VKS2265-002MM	CAM GEAR L		1		
25	WDL316050MM	SLIT WASHER		2		
27	QYSBSF2608Z	T.SCREW		16		
28	VKS3702-00FMM	DRIVE UNIT		1		
29	VKS2247-004	MECHA HOLDER A		1		
30	VKL7767-00B	BRACKET ASS'Y		1		
31	QYSBSF2606Z	SCREW	FOR BRACKET	2		
32	VKM3860-00A	M.HOLDER B ASS'Y		1		
33	VKL7802-00C	M.HOLDER C ASS'Y		1		
34	QYSDST2604Z	SCREW		3		
35	VKL7810-00A	LIFTER ASS'Y R		1		
36	VKL7811-00A	LIFTER ASS'Y L		1		
37	VKL7812-00A	LIFTER ASS'Y H		1		
38	VKL2732-002	LIFTER BASE		1		
39	VKM3823-001	LIFTER BRACKET		1		
41	WDL266035-2	SLIT WASHER		1		
43	VKS5514-002MM	LOCK LEVER		3		
44	VKY3133-002MM	RETURN SPRING		1		
46	VKY3134-003MM	CLICK SPRING		1		
47	VKS2252-00E	TRAY ASS'Y		3		
48	VKS2250-003	TOP BRACKET		1		
49	VKS5515-002	S.TRAY STOPPER		1		
50	VKW5156-004	TORSION SPRING		1		
51	VKS3703-00GMMKP	CLAMPER ASSY		1		
69	QGB2012J1-10	CONNECTOR		1		

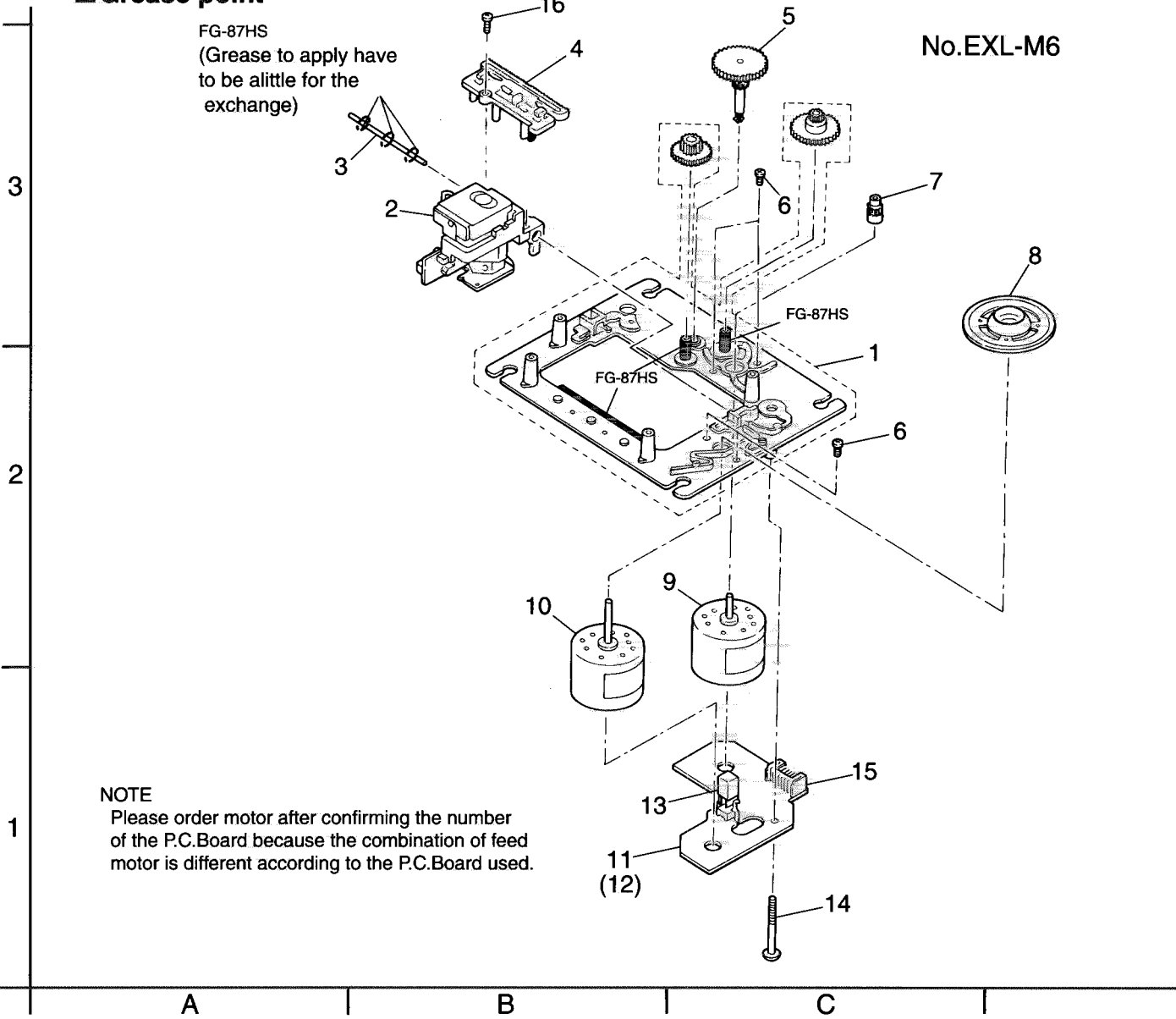
CD mechanism assembly and parts list

Block No. **M 3 M M**

No. EXL-M6

■ Grease point

FG-87HS
(Grease to apply have to be alittle for the exchange)



NOTE
Please order motor after confirming the number of the P.C.Board because the combination of feed motor is different according to the P.C.Board used.

■ Parts List(CD mechanism assembly)

	Item	Parts Number	Parts Name	Q'ty	Description	Area
	1	EPB-002PK	MECHA. BASE ASSY	1		
	2	OPTIMA-150S	OPTICAL PICK UP	1		
	3	E407782-001	CD SHAFT	1		
	4	E307746-001	CD RACK	1		
	5	EPB-003A	MECHA GEAR	1		
	6	SDSP2003N	SCREW	4		
	7	E406750-001	PINION GEAR	1		
	8	E75807-302	TURN TABLE	1	Use the 1CD	
		EPB309173A	TURN TABLE	1	Use the 3CD	
	9	E406784-001	FEED MOTOR	1	Use the No.11 P.C.Board	
		MDN-4RA3ETA-1	FEED MOTOR	1	Use the No.12 P.C.Board	
	10	E406783-001	SPINDLE MOTOR	1		
	11	EMW10190-001(S)	P.C.BOARD	1		
	12	EMW10190-221(S)	P.C.BOARD	1		
	13	ESB1100-005	LEAF SWITCH	1		
	14	E75832-001	SCREW	1		
	15	EMV5109-006B	CONN. TERMINAL	1		
	16	SDSF2006Z	SCREW	1		

Electrical parts list

System control board

A	REF.	PARTS NO.	PARTS NAME	REMARKS	SUFFIX
C	461	QET41CN-476	E CAPACITOR	16V 47UF	
C	462	QGB1HK-102Y	C CAPACITOR	50V 1000PF	
C	701	QET41HN-226	E CAPACITOR	50V 22UF	
C	702	QET41HN-226	E CAPACITOR	50V 22UF	
C	703	QEV1HJ-1242	TF CAPACITOR	50V 0.12UF	
C	704	QGB1HK-151Y	C CAPACITOR	50V 150PF	
C	705	QGB1HK-151Y	C CAPACITOR	50V 150PF	
C	708	QGB1HK-151Y	C CAPACITOR	50V 150PF	
C	709	QXGB1HK-102Y	CAPACITOR	50V 1000PF	
C	714	QXGB1HK-102Y	CAPACITOR	50V 1000PF	
C	715	QET41CN-106	E CAPACITOR	18V 10UF	
C	716	QET41HN-105	E CAPACITOR	50V 1UF	
C	717	QET41AM-227	CAPACITOR	10V 220UF	
C	718	G4112422591	CAPACITOR	100UF 20% 6.3V	
C	719	QXGB1HK-102Y	CAPACITOR	50V 1000PF	
C	720	QSCB1HJ-220Y	C CAPACITOR	50V 22PF	
C	721	QSCB1HJ-220Y	C CAPACITOR	50V 22PF	
C	722	QXGB1HK-102Y	CAPACITOR	50V 1000PF	
C	723	QSC11HJ-390	C CAPACITOR	50V 39PF	
C	724	QSC11HJ-390	C CAPACITOR	50V 39PF	
C	725	QSC11HJ-180	C CAPACITOR	50V 18PF	
C	725	QSCB1HJ-220Y	C CAPACITOR	50V 22PF	
C	726	QSC11HJ-390	C CAPACITOR	50V 39PF	
C	727	QXGB1HK-102Y	CAPACITOR	50V 1000PF	
C	730	QXGB1HK-102Y	CAPACITOR	50V 1000PF	
C	731	QGB1HK-101Y	C CAPACITOR	50V 100PF	
C	732	QET41AM-227	E CAPACITOR	10V 220UF	
C	733	QYB1CN-103Y	C CAPACITOR	16V 0.01UF	
C	734	QYB1CN-103Y	C CAPACITOR	16V 0.01UF	
C	735	G270124760310	CAPACITOR	16V 47UF	
C	737	QGB1HK-151Y	C CAPACITOR	50V 150PF	
C	738	QXGB1HK-102Y	CAPACITOR	50V 1000PF	
C	739	QYB1CN-103Y	C CAPACITOR	16V 0.01UF	
C	740	QYB1CN-103Y	C CAPACITOR	16V 0.01UF	
C	801	G4116228221	C.CAPACITOR	50V 1000PF	
C	802	G4116228221	C.CAPACITOR	50V 1000PF	
CN700	G34003110108	CONN TERMINAL	52044-1145		
CN701	G34003110108	CONN TERMINAL	52044-1345		
CN702	G34003110108	CONN TERMINAL	52044-1745		
D	411	RL3822K	DIODE	GJ374542012111	
D	412	SLR-34MCT32	LED	GREEN	
D	413	SLR-34MCT32	LED	GREEN	
D	414	SLR-34MCT32	LED	GREEN	
D	415	SLR-34MCT32	LED	GREEN	
D	701	1SS133T-77	SI DIODE		
D	702	1SS133T-77	SI DIODE		
D	703	1SS133T-77	SI DIODE		
D	704	1SS133T-77	SI DIODE		
D	705	MTJ15-1A	Z DIODE	MTJ15-1A-T77	
D	706	1SS133T-77	SI DIODE		
D	707	1SS133T-77	SI DIODE		
FL701	GLF0047-001	FL TUBE			
FW700	GJ35310120110	CABLE PFC			
FW701	GJ353040100107	CABLE FLAT			
FW702	GJ353040100107	CABLE FLAT			
FWB51	GJ353040350107	FLAT CABLE			
FW999	GJ3530309190107	CABLE FLAT			

A	REF.	PARTS NO.	PARTS NAME	REMARKS	SUFFIX
IC	704	GPU281X	IC	3-1501-054-10-0	
J	850	UPD7804AFGF-067	PHONE JACK		
JS	701	GJ342010160111	ROTARY ENCODER	VR EC16B243040H	
L	701	GJ241134701301	F-INDUCTOR	47UH	
L	702	GJ241134701301	F-INDUCTOR	47UH	
L	703	GJ141050931	INDUCTOR	10UH 10K	
L	704	GJ141032431	INDUCTOR	4.7UH 10K	
L	705	GJ141032431	INDUCTOR	4.7UH 10K	
L	706	GJ141050931	INDUCTOR	10UH 10K	
L	707	GJ141050931	INDUCTOR	10UH 10K	
L	708	GJ141033031	INDUCTOR	22UH 10K	
L	709	GJ141039721	FERRITE BEAD IN	1.1UH	
L	843	QUV150-050Y	BUS WIRE	GJ141033231	
L	844	QUV150-050Y	BUS WIRE	GJ141033231	
L	845	GJ141039721	FERRITE BEAD IN	1.1UH	
Q	470	DTC114ESTP	TRANSISTOR	GJ872902967	
Q	471	DTC114ESTP	TRANSISTOR	GJ872902967	
Q	472	DTA114ESA	TRANSISTOR	GJ872902921	
Q	473	DTA114ESA-TP	TRANSISTOR	8-739-029-21	
Q	474	DTC114ESTP	TRANSISTOR	GJ872902967	
Q	703	2SC2785/E/-T	TRANSISTOR	2SC2785/E-T	
Q	704	DTC114TSTP	TRANSISTOR	DTC114TS	
Q	705	2SA1175/F	TRANSISTOR	2SA1175/F	
Q	706	2SC2668/0	TRANSISTOR	2SC2668/0-T	
Q	707	2SC2668/0	TRANSISTOR	2SC2668/0-T	
Q	708	2SC2785/E/-T	TRANSISTOR	2SC2785/E-T	
Q	709	2SC2785/E/-T	TRANSISTOR	2SC2785/E-T	
Q	711	DTC114ESTP	TRANSISTOR	DTC114ESA	
Q	711	DTC114ESTP	TRANSISTOR	DTC114ESA	
Q	772	2SC945/QP	TRANSISTOR	2SC945/QP	
Q	772	2SC945/QP	TRANSISTOR	2SC945/QP	
R	470	GRE141J-102Y	C RESISTOR	1/4W 1K	
R	471	GRE141J-122Y	C RESISTOR	1/4W 1.2K	
R	472	GRE141J-152Y	C RESISTOR	1/4W 1.5K	
R	473	GRE141J-222Y	C RESISTOR	1/4W 2.2K	
R	474	GRE141J-272Y	C RESISTOR	1/4W 2.7K	
R	475	GRE141J-293Y	C RESISTOR	1/4W 3.9K	
R	476	GRE141J-562Y	C RESISTOR	1/4W 5.6K	
R	477	GRE141J-103Y	C RESISTOR	1/4W 10K	
R	478	GRE141J-183Y	C RESISTOR	1/4W 18K	
R	479	GRE141J-473Y	C RESISTOR	1/4W 47K	
R	480	GRE141J-103Y	C RESISTOR	1/4W 10K	
R	481	GRE141J-183Y	C RESISTOR	1/4W 18K	
R	482	GRE141J-473Y	C RESISTOR	1/4W 47K	
R	484	GRE141J-102Y	C RESISTOR	1/4W 1K	
R	486	GRE141J-271Y	C RESISTOR	1/4W 270	
R	487	GRE141J-271Y	C RESISTOR	1/4W 270	
R	488	GJ250088202103	RES CF	1/4W 82	
R	489	GJ250088202103	RES CF	1/4W 82	
R	690	GRE141J-102Y	C RESISTOR	1/4W 1K	
R	691	GRE141J-122Y	C RESISTOR	1/4W 1.2K	
R	692	GRE141J-152Y	C RESISTOR	1/4W 1.5K	
R	693	GRE141J-222Y	C RESISTOR	1/4W 2.2K	
R	694	GRE141J-272Y	C RESISTOR	1/4W 2.7K	

BLOCK NO. 04111111

REF.	PARTS NO.	PARTS NAME	REMARKS	SUFFIX
R 695	GRE141J-392Y	C RESISTOR	1/4W 3.9K	
R 696	GRE141J-562Y	C RESISTOR	1/4W 5.6K	
R 697	GRE141J-183Y	C RESISTOR	1/4W 18K	EE-EV
R 698	GRE141J-753Y	C RESISTOR	1/4W 75K	DE-EV
R 698	GRE141J-103Y	C RESISTOR	1/4W 10K	EE-EV
R 700	GRE141J-103Y	C RESISTOR	1/4W 10K	
R 701	GRE141J-222Y	C RESISTOR	1/4 2.2K	
R 702	GRE141J-222Y	C RESISTOR	1/4 2.2K	
R 703	GRE141J-222Y	C RESISTOR	1/4 2.2K	
R 704	GRE141J-102Y	C RESISTOR	1/4W 1K	
R 705	GRE141J-222Y	C RESISTOR	1/4 2.2K	
R 707	GRE141J-102Y	C RESISTOR	1/4W 1K	
R 708	GRE141J-222Y	C RESISTOR	1/4 2.2K	
R 709	GRE141J-222Y	C RESISTOR	1/4 2.2K	
R 710	GRE141J-222Y	C RESISTOR	1/4 2.2K	
R 711	GRE141J-222Y	C RESISTOR	1/4 2.2K	
R 712	GRE141J-222Y	C RESISTOR	1/4 2.2K	
R 713	GRE141J-222Y	C RESISTOR	1/4 2.2K	
R 714	GRE141J-222Y	C RESISTOR	1/4 2.2K	
R 715	GRE141J-222Y	C RESISTOR	1/4 2.2K	
R 716	GRE141J-222Y	C RESISTOR	1/4 2.2K	
R 717	GRE141J-222Y	C RESISTOR	1/4 2.2K	
R 718	GRE141J-222Y	C RESISTOR	1/4 2.2K	
R 719	GRE141J-222Y	C RESISTOR	1/4 2.2K	
R 720	GRE141J-222Y	C RESISTOR	1/4 2.2K	
R 721	GRE141J-102Y	C RESISTOR	1/4W 1K	
R 722	GRE141J-222Y	C RESISTOR	1/4 2.2K	
R 723	GRE141J-222Y	C RESISTOR	1/4 2.2K	
R 724	GRE141J-222Y	C RESISTOR	1/4 2.2K	
R 725	GRE141J-222Y	C RESISTOR	1/4 2.2K	
R 726	GRE141J-222Y	C RESISTOR	1/4 2.2K	
R 727	GRE141J-102Y	C RESISTOR	1/4W 1K	
R 728	GRE141J-222Y	C RESISTOR	1/4 2.2K	
R 729	GRE141J-102Y	C RESISTOR	1/4W 1K	
R 730	GRE141J-102Y	C RESISTOR	1/4W 1K	
R 731	GRE141J-102Y	C RESISTOR	1/4W 1K	
R 732	GRE141J-222Y	C RESISTOR	1/4 2.2K	
R 733	GRE141J-222Y	C RESISTOR	1/4 2.2K	
R 734	GRE141J-222Y	C RESISTOR	1/4 2.2K	
R 735	GRE141J-222Y	C RESISTOR	1/4 2.2K	
R 736	GRE141J-222Y	C RESISTOR	1/4 2.2K	
R 737	GRE141J-222Y	C RESISTOR	1/4 2.2K	
R 738	GRE141J-222Y	C RESISTOR	1/4 2.2K	
R 739	GRE141J-103Y	C RESISTOR	1/4W 10K	
R 740	GRE141J-224Y	C RESISTOR	1/4W 220K	
R 741	GRE141J-103Y	C RESISTOR	1/4W 10K	
R 742	GRE141J-224Y	C RESISTOR	1/4W 220K	
R 743	GRE141J-103Y	C RESISTOR	1/4W 10K	
R 744	GRE141J-103Y	C RESISTOR	1/4W 10K	
R 745	GRE141J-473Y	C RESISTOR	1/4W 47K	
R 747	GRE141J-102Y	C RESISTOR	1/4W 1K	
R 748	GRE141J-103Y	C RESISTOR	1/4W 10K	
R 750	GRE141J-103Y	C RESISTOR	1/4W 10K	
R 751	GRE141J-102Y	C RESISTOR	1/4W 1K	
R 752	GRE141J-103Y	C RESISTOR	1/4W 10K	
R 753	GRE141J-222Y	C RESISTOR	1/4 2.2K	
R 754	GRE141J-472Y	C RESISTOR	1/4W 4.7K	

BLOCK NO. 04111111

REF.	PARTS NO.	PARTS NAME	REMARKS	SUFFIX
R 755	GRE141J-104Y	C RESISTOR	1/4W 100K	
R 756	GRE141J-104Y	C RESISTOR	1/4W 100K	
R 757	GRE141J-103Y	C RESISTOR	1/4W 10K	
R 758	GRE141J-103Y	C RESISTOR	1/4W 10K	
R 761	GRE141J-103Y	C RESISTOR	1/4W 10K	
R 762	GRE141J-104Y	C RESISTOR	1/4W 100K	
R 764	GRE141J-273Y	C RESISTOR	1/4W 27K	
R 765	GJ250081002103	RES CF	1/4W 10	
R 766	GRE141J-102Y	C RESISTOR	1/4W 1K	
R 767	GRE141J-102Y	C RESISTOR	1/4W 1K	
R 768	GRE141J-222Y	C RESISTOR	1/4 2.2K	
R 769	GRE141J-222Y	C RESISTOR	1/4 2.2K	
R 770	GRE141J-222Y	C RESISTOR	1/4 2.2K	
R 771	GRE141J-223Y	C RESISTOR	1/4W 22K	
R 772	GRE141J-223Y	C RESISTOR	1/4W 22K	
R 773	GRE141J-103Y	C RESISTOR	1/4W 10K	
R 774	GRE141J-472Y	C RESISTOR	1/4W 4.7K	
R 775	GRE141J-330Y	C RESISTOR	1/4W 330	
R 776	GRE141J-103Y	C RESISTOR	1/4W 10K	
R 777	GRE141J-102Y	C RESISTOR	1/4W 1K	
R 778	GRE141J-224Y	C RESISTOR	1/4W 220K	
R 779	GRE141J-105Y	C RESISTOR	1/4 1M	
R 780	GRE141J-472Y	C RESISTOR	1/4W 4.7K	
R 781	GRE141J-822Y	C RESISTOR	1/4W 8.2K	
R 782	GRE141J-822Y	C RESISTOR	1/4W 8.2K	
R 783	GRE141J-472Y	C RESISTOR	1/4W 4.7K	
R 784	GRE141J-222Y	C RESISTOR	1/4 2.2K	
R 785	GRE141J-103Y	C RESISTOR	1/4W 10K	
R 786	GRE141J-103Y	C RESISTOR	1/4W 10K	
R 787	GRE141J-103Y	C RESISTOR	1/4W 10K	
R 788	GRE141J-222Y	C RESISTOR	1/4 2.2K	
R 789	GRE141J-222Y	C RESISTOR	1/4 2.2K	
R 790	GRE141J-222Y	C RESISTOR	1/4 2.2K	
R 791	GRE141J-102Y	C RESISTOR	1/4W 1K	
R 792	GRE141J-102Y	C RESISTOR	1/4W 1K	
R 793	GRE141J-122Y	C RESISTOR	1/4W 1.2K	
R 794	GRE141J-152Y	C RESISTOR	1/4W 1.5K	
R 795	GRE141J-222Y	C RESISTOR	1/4 2.2K	
R 796	GRE141J-272Y	C RESISTOR	1/4W 2.7K	
R 797	GRE141J-392Y	C RESISTOR	1/4W 3.9K	
R 798	GRE141J-562Y	C RESISTOR	1/4W 5.6K	
R 800	GRE141J-103Y	C RESISTOR	1/4W 10K	
R 804	GRE141J-823Y	C RESISTOR	1/4W 82K	
R 805	GRE141J-823Y	C RESISTOR	1/4W 82K	
R 806	GRE141J-394Y	C RESISTOR	1/4W 390K	
R 807	GRE141J-394Y	C RESISTOR	1/4W 390K	
R 808	GRE141J-104Y	C RESISTOR	1/4W 100K	
R 809	GRE141J-104Y	C RESISTOR	1/4W 100K	
R 880	GRE141J-330Y	C RESISTOR	1/4W 330	
RA701	GRE141J-224Y	C RESISTOR	1/4W 220K	
RA702	GRE141J-224Y	C RESISTOR	1/4W 220K	
RA703	GRE141J-224Y	C RESISTOR	1/4W 220K	
RA704	GRE141J-224Y	C RESISTOR	1/4W 220K	
RA705	GRE141J-224Y	C RESISTOR	1/4W 220K	
RA706	GRE141J-224Y	C RESISTOR	1/4W 220K	

Amplifier board

BLOCK NO. 02		BLOCK NO. 02		
A. REF.	PARTS NO.	PARTS NAME	REMARKS	SUFFIX
R 707	GRE141J-224Y	C RESISTOR	1/4W 220K	
R 708	GRE141J-224Y	C RESISTOR	1/4W 220K	
R 709	GRE141J-224Y	C RESISTOR	1/4W 220K	
R 710	GRE141J-224Y	C RESISTOR	1/4W 220K	
R 711	GRE141J-224Y	C RESISTOR	1/4W 220K	
R 712	GRE141J-224Y	C RESISTOR	1/4W 220K	
R 713	GRE141J-224Y	C RESISTOR	1/4W 220K	
R 714	GRE141J-224Y	C RESISTOR	1/4W 220K	
R 715	GRE141J-224Y	C RESISTOR	1/4W 220K	
R 716	GRE141J-224Y	C RESISTOR	1/4W 220K	
R 717	GRE141J-224Y	C RESISTOR	1/4W 220K	
R 718	GRE141J-224Y	C RESISTOR	1/4W 220K	
R 719	GRE141J-224Y	C RESISTOR	1/4W 220K	
R 720	GRE141J-224Y	C RESISTOR	1/4W 220K	
R 721	GRE141J-224Y	C RESISTOR	1/4W 220K	
R 722	GRE141J-224Y	C RESISTOR	1/4W 220K	
R 723	GRE141J-224Y	C RESISTOR	1/4W 220K	
R 724	GRE141J-224Y	C RESISTOR	1/4W 220K	
R 725	GRE141J-224Y	C RESISTOR	1/4W 220K	
R 726	GRE141J-224Y	C RESISTOR	1/4W 220K	
R 727	GRE141J-224Y	C RESISTOR	1/4W 220K	
S 404	SOA-123HS	TACT SWITCH		
S 407	SOA-123HS	TACT SWITCH		
S 408	SOA-123HS	TACT SWITCH		
S 409	SOA-123HS	TACT SWITCH		
S 414	SOA-123HS	TACT SWITCH		
S 415	SOA-123HS	TACT SWITCH		
S 416	SOA-123HS	TACT SWITCH		
S 417	SOA-123HS	TACT SWITCH		
S 418	SOA-123HS	TACT SWITCH		
S 422	SOA-123HS	TACT SWITCH		
S 423	SOA-123HS	TACT SWITCH		
S 424	SOA-123HS	TACT SWITCH		
S 425	SOA-123HS	TACT SWITCH		
S 426	SOA-123HS	TACT SWITCH		
S 700	SOA-123HS	TACT SWITCH		
S 701	SOA-123HS	TACT SWITCH		
S 702	SOA-123HS	TACT SWITCH		
S 703	SOA-123HS	TACT SWITCH		
S 704	SOA-123HS	TACT SWITCH		
S 705	SOA-123HS	TACT SWITCH		
S 706	SOA-123HS	TACT SWITCH		
S 707	SOA-123HS	TACT SWITCH		
S 708	SOA-123HS	TACT SWITCH		
S 709	SOA-123HS	TACT SWITCH		
S 714	SOA-123HS	TACT SWITCH		
S 715	SOA-123HS	TACT SWITCH		
X 701	GJ361000230009	CRYSTAL	32.768KHZ	
X 702	M224-19	CERA LOCK	4.19MHZ	
Z 997	RNG0003-001Z	FUSE CLIP	F997	
Z 998	RNG0003-001Z	FUSE CLIP	F998	
Z 999	RNG0003-001Z	FUSE CLIP	F999	

A. REF.	PARTS NO.	PARTS NAME	REMARKS	SUFFIX
C 1	GJ116415921	C CAPACITOR	0.1MF 50V	
C 2	GJ116415921	C CAPACITOR	0.1MF 50V	
C 3	GET41AM-107	E CAPACITOR	10V 100UF	
C 4	QDYB1CM-103Y	C CAPACITOR	16V 0.01UF	
C 5	QDYB1CM-103Y	C CAPACITOR	16V 0.01UF	
C 6	QDGB1HK-103Y	C CAPACITOR	50V 1000PF	
C 7	QDCB1HJ-150Y	C CAPACITOR	50V 15PF	
C 8	GJ111067121	C CAPACITOR	47000PF 50V	
C 9	GDVB1EZ-223Y	C CAPACITOR	25V 0.022UF	
C 10	GJ111067121	C CAPACITOR	47000PF 50V	
C 11	GET41CM-107	E CAPACITOR	16V 100UF	
C 12	GET41AM-107	E CAPACITOR	10V 100UF	
C 13	QDYB1CM-103Y	C CAPACITOR	16V 0.01UF	
C 14	GET41CM-104	E CAPACITOR	16V 10UF	
C 15	QCBBIHK-151Y	C CAPACITOR	50V 150PF	
C 16	GJ111067121	C CAPACITOR	47000PF 50V	
C 17	QCS11HJ-680	C CAPACITOR	50V 68PF	
C 18	QETC1EM-335Z	E CAPACITOR	50V 3.3UF	
C 19	QDYB1CM-103Y	C CAPACITOR	16V 0.01UF	
C 20	GJ1116103594	C CAPACITOR	0.033UF 25V	
C 21	QDVB1CM-103Y	C CAPACITOR	16V 0.01UF	
C 22	QETC1HM-104Z	E CAPACITOR	50V 0.1UF	
C 23	GET41HM-474	M CAPACITOR	50V 0.47UF	
C 25	QFLC1HJ-393Z	M CAPACITOR	50V 0.039UF	
C 26	QFLC1HJ-393Z	M CAPACITOR	50V 0.039UF	
C 27	GET41HM-105	E CAPACITOR	50V 1UF	
C 28	GET41HM-105	E CAPACITOR	50V 1UF	
C 29	QCBBIHK-471Y	C CAPACITOR	50V 470PF	
C 30	QCBBIHK-471Y	C CAPACITOR	50V 470PF	
C 31	QDVB1CM-103Y	C CAPACITOR	16V 0.01UF	
C 33	QDCB1HJ-120Y	C CAPACITOR	50V 12PF	
C 34	QCS11HJ-150	C CAPACITOR	50V 15PF	
C 35	QCS11HJ-150	C CAPACITOR	50V 15PF	
C 51	QDCB1HJ-120Y	C CAPACITOR	50V 12PF	
C 52	QDCB1HJ-120Y	C CAPACITOR	50V 12PF	
C 53	GET41CM-476	E CAPACITOR	16V 47UF	
C 54	QFLC1HJ-392Z	M CAPACITOR	50V 0.0039UF	
C 55	QFLC1HJ-392Z	M CAPACITOR	16V 0.01UF	
C 56	QDYB1CM-103Y	C CAPACITOR	50V 1000PF	
C 57	QDGB1HK-102Y	C CAPACITOR	50V 1000PF	
C 58	QDGB1HK-103Y	C CAPACITOR	50V 1000PF	
C 59	GET41AM-107	E CAPACITOR	10V 100UF	
C 60	QCBBIHK-151Y	C CAPACITOR	50V 150PF	
C 61	QCBBIHK-151Y	C CAPACITOR	50V 150PF	
C 62	QCBBIHK-151Y	C CAPACITOR	50V 150PF	
C 63	QCBBIHK-101Y	C CAPACITOR	50V 100PF	
C 65	QDYB1CM-103Y	C CAPACITOR	16V 0.01UF	
C 66	GJ116221521	C CAPACITOR	47PF 5% 50V	
C 67	GJ116222921	C CAPACITOR	5.6PF 10% 50V	
C 68	GJ116220521	C CAPACITOR	50V 18PF	
C 69	QCBBIHK-221Y	C CAPACITOR	50V 220PF	
C 70	QCBBIHK-471Y	C CAPACITOR	50V 470PF	
C 101	GET41EM-475	E CAPACITOR	25V 4.7UF	
C 102	GET41EM-475	E CAPACITOR	25V 4.7UF	
C 103	QCS11HJ-330	C CAPACITOR	50V 33PF	

BLOCK NO. 021111

REF.	PARTS NO.	PARTS NAME	REMARKS	SUFFIX
C 309	GET41CM-226	E CAPACITOR	16V 22UF	
C 310	GET41EM-106	E CAPACITOR	25V 100UF	
C 311	GET41EM-475	E CAPACITOR	25V 4.7UF	
C 312	GET41EM-475	E CAPACITOR	25V 4.7UF	
C 313	GET41CM-226	E CAPACITOR	16V 22UF	
C 314	QCB31HK-151Y	C CAPACITOR	50V 150PF	
C 315	QCB31HK-151Y	C CAPACITOR	50V 150PF	
C 316	QCB31HK-151Y	C CAPACITOR	50V 150PF	
C 317	GET41CM-107	E CAPACITOR	16V 100UF	
C 318	GET31HM-254Z	E CAPACITOR	50V 0.22UF	
C 319	QDV31EZ-223Y	C CAPACITOR	25V 0.022UF	
C 320	GET41CM-106	E CAPACITOR	16V 100UF	
C 321	GET41AM-476	E CAPACITOR	10V 47UF	
C 322	GET41CM-476	E CAPACITOR	16V 47UF	
C 323	GET41HM-106Z	E CAPACITOR	50V 10UF	
C 324	GET41HM-106Z	E CAPACITOR	50V 10UF	
C 325	GET41CM-476	E CAPACITOR	16V 47UF	
C 326	GET41CM-226	E CAPACITOR	16V 22UF	
C 327	GET41HM-105	E CAPACITOR	50V 1UF	
C 328	GET41AM-107	E CAPACITOR	10V 100UF	
C 329	GET41HM-105	E CAPACITOR	50V 1UF	
C 330	GET41HM-105	E CAPACITOR	50V 1UF	
C 331	GET41CM-106	E CAPACITOR	16V 100UF	
C 332	QFLC1HJ-353Z	M CAPACITOR	50V 0.015UF	
C 333	QCS11HJ-330	C CAPACITOR	50V 33PF	
C 334	QDX31CM-182Y	C CAPACITOR	16V 0.0018UF	
C 335	QCB31HK-681Y	C CAPACITOR	50V 680PF	
C 336	GET41EM-105	E CAPACITOR	50V 1UF	
C 337	GET41CM-226	E CAPACITOR	16V 22UF	
C 338	QDV31EZ-223Y	C CAPACITOR	25V 0.022UF	
C 340	QDV31EZ-223Y	C CAPACITOR	25V 0.022UF	
C 901	GFVA1HJ-683	TF CAPACITOR	50V 0.068UF	
C 902	GFVA1HJ-683	TF CAPACITOR	50V 0.068UF	
C 903	GFVA1HJ-683	TF CAPACITOR	50V 0.068UF	
C 904	GFVA1HJ-683	TF CAPACITOR	50V 0.068UF	
C 905	GET41HM-228Z	E CAPACITOR	50V 2200UF	
C 906	GET41HM-228Z	E CAPACITOR	50V 2200UF	
C 907	QFLC1HJ-104Z	M CAPACITOR	50V 0.1UF	
C 908	GET31EM-228	E CAPACITOR	25V 2200UF	
C 909	GET31JM-107Z	E CAPACITOR	63V 100UF	
C 910	GET31JM-476Z	E CAPACITOR	63V 47UF	
C 911	GET41HM-226	E CAPACITOR	50V 22UF	
C 912	GET41EM-475	E CAPACITOR	50V 4.7UF	
C 913	QDV31CM-103Y	C CAPACITOR	16V 0.01UF	
C 914	GET41HM-226	E CAPACITOR	50V 22UF	
C 915	GET41CM-106	E CAPACITOR	16V 100UF	
C 916	QCB31HK-221Y	C CAPACITOR	50V 220PF	
C 917	GET31HM-225Z	E CAPACITOR	50V 2.2UF	
C 301	QDV31CM-103Y	C CAPACITOR	16V 0.01UF	
C 302	QDV31CM-103Y	C CAPACITOR	10V 100UF	
C 303	GET41CM-226	E CAPACITOR	16V 22UF	
C 304	GET41EM-475	E CAPACITOR	25V 4.7UF	
C 305	QDV31EZ-223Y	C CAPACITOR	25V 0.022UF	
C 306	QDV31EZ-223Y	C CAPACITOR	16V 100UF	
C 307	GET41CM-226	E CAPACITOR	10V 1000UF	

BLOCK NO. 021111

REF.	PARTS NO.	PARTS NAME	REMARKS	SUFFIX
C 104	QCS11HJ-230	C CAPACITOR	50V 23PF	
C 105	GET41EM-475	E CAPACITOR	25V 4.7UF	
C 106	GET41EM-106	E CAPACITOR	25V 100UF	
C 107	GFVJ1HJ-563Z	M.M.CAP. IM	50V 0.056UF	
C 108	GFVJ1HJ-563Z	M.M.CAP. IM	50V 0.056UF	
C 109	QFLC1HJ-103Z	M CAPACITOR	50V 0.01UF	
C 110	QCB31HK-471Y	C CAPACITOR	50V 470PF	
C 111	QFLC1HJ-104Z	M CAPACITOR	50V 0.1UF	
C 112	QFLC1HJ-104Z	M CAPACITOR	50V 0.1UF	
C 113	GET41AM-107	E CAPACITOR	10V 100UF	
C 114	GET41HM-105	E CAPACITOR	50V 1UF	
C 115	GJ110995391	2.2MF 20% 50V		
C 116	QCB31HK-101Y	C CAPACITOR	50V 100PF	
C 117	QCB31HK-101Y	C CAPACITOR	50V 100PF	
C 118	GET41HM-476	E CAPACITOR	50V 47UF	
C 119	QCS11HJ-100	C CAPACITOR	50V 10PF	
C 120	QFLC1HJ-153Z	M CAPACITOR	50V 0.015UF	
C 121	GET41HM-226	E CAPACITOR	50V 22UF	
C 122	QFLC1HJ-104Z	M CAPACITOR	50V 0.1UF	
C 123	QFLC1HJ-104Z	M CAPACITOR	50V 0.1UF	
C 124	GET41EM-475	E CAPACITOR	25V 4.7UF	
C 125	GET41EM-475	E CAPACITOR	25V 4.7UF	
C 126	GET41EM-475	E CAPACITOR	25V 4.7UF	
C 201	GET41EM-475	E CAPACITOR	25V 4.7UF	
C 202	GET41EM-475	E CAPACITOR	25V 4.7UF	
C 203	QCS11HJ-330	C CAPACITOR	50V 33PF	
C 204	QCS11HJ-220	C CAPACITOR	50V 22PF	
C 205	GET41EM-475	E CAPACITOR	25V 4.7UF	
C 206	GET41EM-106	E CAPACITOR	25V 100UF	
C 207	GFVJ1HJ-543Z	M.M.CAP. IM	50V 0.054UF	
C 208	GFVJ1HJ-543Z	M.M.CAP. IM	50V 0.054UF	
C 209	QFLC1HJ-103Z	M CAPACITOR	50V 0.01UF	
C 210	QCB31HK-471Y	C CAPACITOR	50V 470PF	
C 211	QFLC1HJ-104Z	M CAPACITOR	50V 0.1UF	
C 212	QFLC1HJ-104Z	M CAPACITOR	50V 0.1UF	
C 213	GET41AM-107	E CAPACITOR	10V 100UF	
C 214	GET41HM-105	E CAPACITOR	50V 1UF	
C 215	GJ110995391	2.2MF 20% 50V		
C 216	QCB31HK-101Y	C CAPACITOR	50V 100PF	
C 217	QCB31HK-101Y	C CAPACITOR	50V 100PF	
C 218	GET41HM-476	E CAPACITOR	50V 47UF	
C 219	QCS11HJ-100	C CAPACITOR	50V 10PF	
C 220	QFLC1HJ-153Z	M CAPACITOR	50V 0.015UF	
C 221	GET41HM-226	E CAPACITOR	50V 22UF	
C 222	QFLC1HJ-104Z	M CAPACITOR	50V 0.1UF	
C 223	QFLC1HJ-104Z	M CAPACITOR	50V 0.1UF	
C 224	GET41EM-475	E CAPACITOR	25V 4.7UF	
C 225	GET41EM-475	E CAPACITOR	25V 4.7UF	
C 301	GET41CM-106	E CAPACITOR	16V 100UF	
C 302	QDV31HK-103Y	C CAPACITOR	50V 1000PF	
C 303	GET41CM-476	E CAPACITOR	16V 47UF	
C 304	GJ270121080110	E CAPACITOR	16V 1000UF	
C 305	QDV31EZ-223Y	C CAPACITOR	25V 0.022UF	
C 306	QDV31EZ-223Y	C CAPACITOR	16V 100UF	
C 307	GET41CM-226	E CAPACITOR	10V 1000UF	

BLOCK NO. 02111111

BLOCK NO. 02111111

A REF.	PARTS NO.	PARTS NAME	REMARKS	SUFFIX
C 925	QBY81CM-103Y	C CAPACITOR	16V 0.01UF	
CF 1	GJ176012711	SP. CUSHIONCT		
CF 2	GJ176012711	SP. CUSHIONCT		
CF 3	GJ176012711	SP. CUSHIONCT		
CF 4	GJ176012711	CERAMIC FILTER		
CF 5	GJ176012711	CERAMIC FILTER		
CN302	GJ340022100108	CONNECTOR FFC		
CN303	GJ340022100108	CONNECTOR FFC		
CN304	GJ340022100108	CONNECTOR FFC		
CN305	GJ340022100108	CABLE FFC/FPC		
CN306	GJ340022100108	CONNECTOR FFC		
CN307	GJ340022100108	CONNECTOR FFC		
CN308	GJ340022100108	CONNECTOR WIRE		
CN603	GJ33070300110	CABLE FFC/FPC	523800490	
CN604	GJ33070300110	CABLE FFC/FPC	FFW303 TO CD SE	
CN605	GJ33070300110	CABLE FFC/FPC	FFW303 TO CD SE	
CN701	GJ33150150110	CABLE FFC/FPC	FFW306A TO CTL	
CN702	GJ33150150110	CABLE FFC/FPC	FFW306B TO CTL	
CN801	GJ333100180110	CABLE FFC/FPC	FFW304 TO CD CH	
CN901	GJ340072040102	CONNECTOR WIRE	CN901B FOR ECHO	
CN901	GJ340072040102	CONNECTOR WIRE	CN901A	
D 1	1S8133T-77	SI DIODE		
D 2	1S8133T-77	SI DIODE		
D 3	1S8133T-77	SI DIODE		
D 4	1S8133T-77	SI DIODE		
D 5	1S8133T-77	SI DIODE		
D 6	1S8133T-77	SI DIODE		
D 7	1S8133T-77	SI DIODE		
D 8	1S8133T-77	SI DIODE		
D 9	1S8133T-77	SI DIODE		
D 10	1S8133T-77	SI DIODE		
D 11	1S8133T-77	SI DIODE		
D 12	1S8133T-77	SI DIODE		
D 13	1S8133T-77	SI DIODE		
D 14	1S8133T-77	SI DIODE		
D 15	1S8133T-77	SI DIODE		
D 16	1S8133T-77	SI DIODE		
D 17	1S8133T-77	SI DIODE		
D 18	1S8133T-77	SI DIODE		
D 19	1S8133T-77	SI DIODE		
D 20	1S8133T-77	SI DIODE		
D 21	1S8133T-77	SI DIODE		
D 22	1S8133T-77	SI DIODE		
D 23	1S8133T-77	SI DIODE		
D 24	1S8133T-77	SI DIODE		
D 25	1S8133T-77	SI DIODE		
D 26	1S8133T-77	SI DIODE		
D 27	1S8133T-77	SI DIODE		
D 28	1S8133T-77	SI DIODE		
D 29	1S8133T-77	SI DIODE		
D 30	1S8133T-77	SI DIODE		
D 31	1S8133T-77	SI DIODE		
D 32	1S8133T-77	SI DIODE		
D 33	1S8133T-77	SI DIODE		
D 34	1S8133T-77	SI DIODE		
D 35	1S8133T-77	SI DIODE		
D 36	1S8133T-77	SI DIODE		
D 37	1S8133T-77	SI DIODE		
D 38	1S8133T-77	SI DIODE		
D 39	1S8133T-77	SI DIODE		
D 40	1S8133T-77	SI DIODE		
D 41	1S8133T-77	SI DIODE		
D 42	1S8133T-77	SI DIODE		
D 43	1S8133T-77	SI DIODE		
D 44	1S8133T-77	SI DIODE		
D 45	1S8133T-77	SI DIODE		
D 46	1S8133T-77	SI DIODE		
D 47	1S8133T-77	SI DIODE		
D 48	1S8133T-77	SI DIODE		
D 49	1S8133T-77	SI DIODE		
D 50	1S8133T-77	SI DIODE		
D 51	1S8133T-77	SI DIODE		
D 52	1S8133T-77	SI DIODE		
D 53	1S8133T-77	SI DIODE		
D 54	1S8133T-77	SI DIODE		
D 55	1S8133T-77	SI DIODE		
D 56	1S8133T-77	SI DIODE		
D 57	1S8133T-77	SI DIODE		
D 58	1S8133T-77	SI DIODE		
D 59	1S8133T-77	SI DIODE		
D 60	1S8133T-77	SI DIODE		
D 61	1S8133T-77	SI DIODE		
D 62	1S8133T-77	SI DIODE		
D 63	1S8133T-77	SI DIODE		
D 64	1S8133T-77	SI DIODE		
D 65	1S8133T-77	SI DIODE		
D 66	1S8133T-77	SI DIODE		
D 67	1S8133T-77	SI DIODE		
D 68	1S8133T-77	SI DIODE		
D 69	1S8133T-77	SI DIODE		
D 70	1S8133T-77	SI DIODE		
D 71	1S8133T-77	SI DIODE		
D 72	1S8133T-77	SI DIODE		
D 73	1S8133T-77	SI DIODE		
D 74	1S8133T-77	SI DIODE		
D 75	1S8133T-77	SI DIODE		
D 76	1S8133T-77	SI DIODE		
D 77	1S8133T-77	SI DIODE		
D 78	1S8133T-77	SI DIODE		
D 79	1S8133T-77	SI DIODE		
D 80	1S8133T-77	SI DIODE		
D 81	1S8133T-77	SI DIODE		
D 82	1S8133T-77	SI DIODE		
D 83	1S8133T-77	SI DIODE		
D 84	1S8133T-77	SI DIODE		
D 85	1S8133T-77	SI DIODE		
D 86	1S8133T-77	SI DIODE		
D 87	1S8133T-77	SI DIODE		
D 88	1S8133T-77	SI DIODE		
D 89	1S8133T-77	SI DIODE		
D 90	1S8133T-77	SI DIODE		
D 91	1S8133T-77	SI DIODE		
D 92	1S8133T-77	SI DIODE		
D 93	1S8133T-77	SI DIODE		
D 94	1S8133T-77	SI DIODE		
D 95	1S8133T-77	SI DIODE		
D 96	1S8133T-77	SI DIODE		

BLOCK NO. 02111111

BLOCK NO. 02111111

A REF.	PARTS NO.	PARTS NAME	REMARKS	SUFFIX
D 907	11ES2	SI DIODE		
D 908	11ES2	SI DIODE		
D 909	MTZJ6.2A-T77	ZENER DIODE		
D 910	MTZJ6.2A-T77	ZENER DIODE		
D 911	MTZJ6.2A-T77	ZENER DIODE		
D 912	1S8133T-77	SI DIODE		
D 913	1S8133T-77	SI DIODE		
D 914	MTZJ9.1A-T77	ZENER DIODE		
D 915	MTZJ5.6C-T1	ZENER DIODE		
D 916	MTZJ5.9A-T2	ZENER DIODE		
D 917	MTZJ5.9A-T2	ZENER DIODE		
IC 1	TA2037N	IC		
IC 2	LC72136N	IC		
IC 101	TDA7295	IC		
IC 201	TDA7295	IC		
IC 301	NJM4380D	IC		
IC 302	BH854AS	IC		
IC 303	BA15218	IC		
IC 304	TC4038P	IC		
J 301	GJ342030140109	JACK		
J 302	GJ342030010111	JACK		
J 303	GJ34203040119908	JACK		
L 1	2SC1923(O)	TRANSISTOR		
L 2	2SC2785/E/-T	TRANSISTOR		
L 3	GJ141030231	FERRITE BEAD IN		
L 4	GJ141031131	FERRITE BEAD IN		
L 5	GJ141031131	FERRITE BEAD IN		
L 51	QGL231K-221V	INDUCTOR		
L 101	GJ320080150109	COIL SPRING		
L 201	GJ320080150109	COIL SPRING		
L 301	GJ241131001301	FERRITE BEAD IN		
L 302	GJ141039721	FERRITE BEAD IN		
L 303	GJ141039721	FERRITE BEAD IN		
Q 1	2SC1923(O)	TRANSISTOR		
Q 2	2SC2785/E/-T	TRANSISTOR		
Q 3	2SC2785/E/-T	TRANSISTOR		
Q 4	DTA114YSTP	TRANSISTOR		
Q 51	DTA114YSTP	TRANSISTOR		
Q 52	DTA114YSTP	TRANSISTOR		
Q 101	2SD2144S/VW/-T	TRANSISTOR		
Q 103	2SC2785/E/-T	TRANSISTOR		
Q 104	2SD2144S/VW/-T	TRANSISTOR		
Q 105	2SD2144S/VW/-T	TRANSISTOR		
Q 201	2SD2144S/VW/-T	TRANSISTOR		
Q 203	2SC2785/E/-T	TRANSISTOR		
Q 204	2SD2144S/VW/-T	TRANSISTOR		
Q 205	2SD2144S/VW/-T	TRANSISTOR		
Q 301	DTA114YSTP	TRANSISTOR		
Q 302	2SC2785/E/-T	TRANSISTOR		
Q 303	2SC945QP	TRANSISTOR		
Q 304	2SA933/RS/-T	TRANSISTOR		
Q 305	2SC945QP	TRANSISTOR		
Q 306	2SC945QP	TRANSISTOR		
Q 307	2SC2785/E/-T	TRANSISTOR		
Q 308	DTA114ESA-TP	TRANSISTOR		
Q 309	2SC2785/E/-T	TRANSISTOR		
Q 310	2SC2785/E/-T	TRANSISTOR		

BLOCK NO. 02111111

BLOCK NO. 02111111

A REF.	PARTS NO.	PARTS NAME	REMARKS	SUFFIX
D 907	11ES2	SI DIODE		
D 908	11ES2	SI DIODE		
D 909	MTZJ33C-T2	ZENER DIODE		
D 910	MTZJ6.2A-T77	ZENER DIODE		
D 911	MTZJ6.2A-T77	ZENER DIODE		
D 912	1S8133T-77	SI DIODE		
D 913	1S8133T-77	SI DIODE		
D 914	MTZJ9.1A-T77	ZENER DIODE		
D 915	MTZJ5.6C-T1	ZENER DIODE		
D 916	MTZJ5.9A-T2	ZENER DIODE		
D 917	MTZJ5.9A-T2	ZENER DIODE		
IC 1	TA2037N	IC		
IC 2	LC72136N	IC		
IC 101	TDA7295	IC		
IC 201	TDA7295	IC		
IC 301	NJM4380D	IC		
IC 302	BH854AS	IC		
IC 303	BA15218	IC		
IC 304	TC4038P	IC		
J 301	GJ342030140109	JACK		
J 302	GJ342030010111	JACK		
J 303	GJ34203040119908	JACK		
L 1	2SC1923(O)	TRANSISTOR		
L 2	2SC2785/E/-T	TRANSISTOR		
L 3	GJ141030231	FERRITE BEAD IN		
L 4	GJ141031131	FERRITE BEAD IN		
L 5	GJ141031131	FERRITE BEAD IN		
L 51	QGL231K-221V	INDUCTOR		
L 101	GJ320080150109	COIL SPRING		
L 201	GJ320080150109	COIL SPRING		
L 301	GJ241131001301	FERRITE BEAD IN		
L 302	GJ141039721	FERRITE BEAD IN		
L 303	GJ141039721	FERRITE BEAD IN		
Q 1	2SC1923(O)	TRANSISTOR		
Q 2	2SC2785/E/-T	TRANSISTOR		
Q 3	2SC2785/E/-T	TRANSISTOR		
Q 4	DTA114YSTP	TRANSISTOR		
Q 51	DTA114YSTP	TRANSISTOR		
Q 52	DTA114YSTP	TRANSISTOR		
Q 101	2SD2144S/VW/-T	TRANSISTOR		
Q 103	2SC2785/E/-T	TRANSISTOR		
Q 104	2SD2144S/VW/-T	TRANSISTOR		
Q 105	2SD2144S/VW/-T	TRANSISTOR		
Q 201	2SD2144S/VW/-T	TRANSISTOR		
Q 203	2SC2785/E/-T	TRANSISTOR		
Q 204	2SD2144S/VW/-T	TRANSISTOR		
Q 205	2SD2144S/VW/-T	TRANSISTOR		
Q 301	DTA114YSTP	TRANSISTOR		
Q 302	2SC2785/E/-T	TRANSISTOR		
Q 303	2SC945QP	TRANSISTOR		
Q 304	2SA933/RS/-T	TRANSISTOR		
Q 305	2SC945QP	TRANSISTOR		
Q 306	2SC945QP	TRANSISTOR		
Q 307	2SC2785/E/-T	TRANSISTOR		

BLOCK NO. 021111

BLOCK NO. 021111

A	REF.	PARTS NO.	PARTS NAME	REMARKS	SUFFIX
Q	311	DTC147SA-TP	TRANSISTOR	3-1201-051-12-0	
Q	312	2SC945QP	TRANSISTOR	2SC945/Q,P	
Q	901	2SA934/QR/-T	TRANSISTOR	2SA934/R	
Q	902	DTC114YSTP	TRANSISTOR	GJ872990437	
Q	903	DTC114YSTP	TRANSISTOR	GJ872990437	
Q	904	2SB1375	TRANSISTOR	8-729-209-60	
Q	905	2SA1175TP-F	TRANSISTOR	8-729-101-54	
Q	906	DTA144TS-T	TRANSISTOR	DTA144T	
Q	907	DTC144TSTP	TRANSISTOR	GJ315010511203	
Q	908	2SC2785/E-T	TRANSISTOR	2SC2785/E-T	
Q	909	2SC2785/E-T	TRANSISTOR	2SC2785/E-T	
Q	910	2SB1375	TRANSISTOR	8-729-209-60	
Q	911	2SC2785/E-T	TRANSISTOR	2SC2785/E-T	
Q	912	2SC2785/E-T	TRANSISTOR	2SC2785/E-T	
Q	913	2SA1175TP-F	TRANSISTOR	8-729-101-54	
Q	914	2SC2785/E-T	TRANSISTOR	2SC2785/E-T	
Q	915	2SB1375	TRANSISTOR	8-729-209-60	
Q	916	2SC2785/E-T	TRANSISTOR	2SC2785/E-T	
R	1	GRE141J-102Y	C RESISTOR	1/4W 1K	
R	2	GRE141J-270Y	C RESISTOR	1/4W 27	
R	3	GJ25008102105	RES-CP	1/6W 100	
R	4	GRE141J-331Y	C RESISTOR	1/4W 330	
R	5	GRE141J-474Y	C RESISTOR	1/4W 470K	
R	6	GRE141J-560Y	C RESISTOR	1/4W 56	
R	7	GRE141J-331Y	C RESISTOR	1/4W 330	
R	8	GRE141J-104Y	C RESISTOR	1/4W 100K	
R	9	GRE141J-103Y	C RESISTOR	1/4W 1K	
R	10	GRE141J-103Y	C RESISTOR	1/4W 1K	
R	11	GRE141J-103Y	C RESISTOR	1/4W 10K	
R	12	GRE141J-103Y	C RESISTOR	1/4W 10K	
R	13	GRE141J-104Y	C RESISTOR	1/4W 5.6K	
R	14	GRE141J-103Y	C RESISTOR	1/4W 100K	
R	15	GRE141J-103Y	C RESISTOR	1/4W 10K	
R	16	GRE141J-103Y	C RESISTOR	1/4W 10K	
R	17	GRE141J-102Y	C RESISTOR	1/4W 1K	
R	18	GRE141J-271Y	C RESISTOR	1/4W 270	
R	19	GRE141J-273Y	C RESISTOR	1/4W 2.2K	
R	20	GRE141J-223Y	C RESISTOR	1/4W 27K	
R	21	GRE141J-323Y	C RESISTOR	1/4W 22K	
R	22	GRE141J-323Y	C RESISTOR	1/4W 3.9K	
R	23	GRE141J-323Y	C RESISTOR	1/4W 3.9K	
R	24	GRE141J-562Y	C RESISTOR	1/4W 5.6K	
R	25	GRE141J-562Y	C RESISTOR	1/4W 5.6K	
R	26	GRE141J-222Y	C RESISTOR	1/4W 2.2K	
R	27	GRE141J-222Y	C RESISTOR	1/4W 2.2K	
R	28	GRE141J-152Y	C RESISTOR	1/4W 1.5K	
R	29	GRE141J-103Y	C RESISTOR	1/4W 10K	
R	30	GRE141J-103Y	C RESISTOR	1/4W 10K	
R	31	GRE141J-103Y	C RESISTOR	1/4W 10K	
R	32	GRE141J-103Y	C RESISTOR	1/4W 10K	
R	33	GRE141J-103Y	C RESISTOR	1/4W 10K	
R	34	GRE141J-103Y	C RESISTOR	1/4W 10K	
R	35	GRE141J-322Y	C RESISTOR	1/4W 3.3K	
R	36	GRE141J-472Y	C RESISTOR	1/4W 4.7K	
R	37	GRE141J-182Y	C RESISTOR	1/4W 1.8K	

A	REF.	PARTS NO.	PARTS NAME	REMARKS	SUFFIX
R	55	GRE141J-472Y	C RESISTOR	1/4W 4.7K	
R	56	GRE141J-222Y	C RESISTOR	1/4W 2.2K	
R	57	GRE141J-231Y	C RESISTOR	1/4W 330	
R	58	GRE141J-103Y	C RESISTOR	1/4W 10K	
R	59	GRE141J-103Y	C RESISTOR	1/4W 10K	
R	60	GRE141J-102Y	C RESISTOR	1/4W 1K	
R	61	GRE141J-102Y	C RESISTOR	1/4W 1K	
R	62	GRE141J-102Y	C RESISTOR	1/4W 1K	
R	63	GRE141J-473Y	C RESISTOR	1/4W 47K	
R	64	GRE141J-104Y	C RESISTOR	1/4W 100K	
R	65	GRE141J-472Y	C RESISTOR	1/4W 4.7K	
R	66	GRE141J-103Y	C RESISTOR	1/4W 10K	
R	67	GRE141J-222Y	C RESISTOR	1/4W 2.2K	
R	68	GRE141J-102Y	C RESISTOR	1/4W 1K	
R	69	GRE141J-222Y	C RESISTOR	1/4W 2.2K	
R	70	GRE141J-103Y	C RESISTOR	1/4W 10K	
R	71	GRE141J-103Y	C RESISTOR	1/4W 10K	
R	72	GRE141J-223Y	C RESISTOR	1/4W 22K	
R	73	GRE141J-273Y	C RESISTOR	1/4W 27K	
R	74	GRE141J-102Y	C RESISTOR	1/4W 1K	
R	75	GRE141J-102Y	C RESISTOR	1/4W 1K	
R	76	GRE141J-102Y	C RESISTOR	1/4W 1K	
R	77	GRE141J-232Y	C RESISTOR	1/4W 23K	
R	78	GRE141J-184Y	C RESISTOR	1/4W 180K	
R	79	GRE141J-233Y	C RESISTOR	1/4W 23K	
R	80	GRE141J-104Y	C RESISTOR	1/4W 100K	
R	81	GRE141J-104Y	C RESISTOR	1/4W 1K	
R	82	GRE141J-102Y	C RESISTOR	1/4W 1K	
R	83	GRE141J-103Y	C RESISTOR	1/4W 10K	
R	84	GRE141J-222Y	C RESISTOR	1/4W 2.2K	
R	85	GRE141J-103Y	C RESISTOR	1/4W 10K	
R	86	GRE141J-103Y	C RESISTOR	1/4W 10K	
R	87	GRE141J-222Y	C RESISTOR	1/4W 7.5K	
R	88	GRE141J-103Y	C RESISTOR	1/4W 10K	
R	89	GRE141J-103Y	C RESISTOR	1/4W 10K	
R	90	GRE141J-103Y	C RESISTOR	1/4W 2.2K	
R	91	GRE141J-103Y	C RESISTOR	1/4W 10K	
R	92	GRE141J-103Y	C RESISTOR	1/4W 10K	
R	93	GRE141J-104Y	C RESISTOR	1/4W 100K	
R	94	GRE141J-561Y	C RESISTOR	1/4W 560	
R	95	GRE141J-623Y	C RESISTOR	1/4W 82K	
R	96	GRE141J-104Y	C RESISTOR	1/4W 100K	
R	97	GRE141J-122Y	C RESISTOR	1/4W 1.2K	
R	98	GJ250051002510	ANT. TERMINAL(A)	1/4W J 10	
R	99	GJ250051002510	ANT. TERMINAL(A)	1/4W J 10	
R	100	GJ250051002510	RESISTOR	MOF 0.22 1W	
R	101	GRE141J-104Y	C RESISTOR	1/4W 100K	
R	102	GRE141J-103Y	C RESISTOR	1/4W 10K	
R	103	GJ250056812510	C RESISTOR	1/4W 680	
R	104	GRE141J-621Y	C RESISTOR	1/4W 820	
R	105	GRE141J-472Y	C RESISTOR	1/4W 4.7K	

BLOCK NO. 0E111111

BLOCK NO. 0E111111

REF.	PARTS NO.	PARTS NAME	REMARKS	SUFFIX
R 147	GRE141J-222Y	C RESISTOR	1/4W 2-2K	
R 148	GRE141J-392Y	C RESISTOR	1/4W 3-9K	
R 202	GRE141J-563Y	C RESISTOR	1/4W 56K	
R 203	GRE141J-273Y	C RESISTOR	1/4W 27K	
R 204	GRE141J-102Y	C RESISTOR	1/4W 1K	
R 205	GRE141J-102Y	C RESISTOR	1/4W 1K	
R 206	GRE141J-392Y	C RESISTOR	1/4W 3-9K	
R 208	GRE141J-184Y	C RESISTOR	1/4W 180K	
R 209	GRE141J-823Y	C RESISTOR	1/4W 82K	
R 210	GRE141J-273Y	C RESISTOR	1/4W 27K	
R 211	GRE141J-104Y	C RESISTOR	1/4W 100K	
R 212	GRE141J-102Y	C RESISTOR	1/4W 1K	
R 213	GRE141J-103Y	C RESISTOR	1/4W 10K	
R 214	GRE141J-222Y	C RESISTOR	1/4W 2-2K	
R 215	GRE141J-222Y	C RESISTOR	1/4W 2-2K	
R 216	GRE141J-103Y	C RESISTOR	1/4W 10K	
R 217	GRE141J-752Y	C RESISTOR	1/4W 7-5K	
R 218	GRE141J-103Y	C RESISTOR	1/4W 10K	
R 219	GRE141J-222Y	C RESISTOR	1/4W 2-2K	
R 220	GRE141J-472Y	C RESISTOR	1/4W 4-7K	
R 221	GRE141J-154Y	C RESISTOR	1/4W 150K	
R 222	GRE141J-472Y	C RESISTOR	1/4W 4-7K	
R 223	GRE141J-104Y	C RESISTOR	1/4W 100K	
R 224	GRE141J-561Y	C RESISTOR	1/4W 560	
R 225	GRE141J-823Y	C RESISTOR	1/4W 82K	
R 226	GRE141J-104Y	C RESISTOR	1/4W 100K	
R 227	GRE141J-122Y	C RESISTOR	1/4W 1-2K	
R 228	GJ250051002510	ANT TERMINAL(A)	1/4W J 10	
R 230	GJ250051002510	ANT TERMINAL(A)	1/4W J 10	
R 232	GJ2515282509	RESISTOR	MOF 0.22 1W	
R 233	GRE141J-104Y	C RESISTOR	1/4W 100K	
R 234	GRE141J-103Y	C RESISTOR	1/4W 10K	
R 235	GJ250056812510	C RESISTOR	1/4W 680	
R 236	GRE141J-821Y	C RESISTOR	1/4W 820	
R 237	GRE141J-472Y	C RESISTOR	1/4W 4-7K	
R 237	GRE141J-472Y	C RESISTOR	1/4W 4-7K	
R 238	GRE141J-392Y	C RESISTOR	1/4W 3-9K	
R 302	GRE141J-222Y	C RESISTOR	1/4W 2-2K	
R 303	GRE141J-473Y	C RESISTOR	1/4W 47K	
R 304	GRE141J-333Y	C RESISTOR	1/4W 33K	
R 305	GRE141J-393Y	C RESISTOR	1/4W 39K	
R 306	GRE141J-393Y	C RESISTOR	1/4W 39K	
R 307	GRE141J-222Y	C RESISTOR	1/4W 2-2K	
R 308	GRE141J-322Y	C RESISTOR	1/4W 3-2K	
R 309	GRE141J-322Y	C RESISTOR	1/4W 3-2K	
R 311	GRE141J-562Y	C RESISTOR	1/4W 5-6K	
R 312	GRE141J-223Y	C RESISTOR	1/4W 22K	
R 313	GRE141J-104Y	C RESISTOR	1/4W 100K	
R 314	GRE141J-152Y	C RESISTOR	1/4W 1-5K	
R 315	GRE141J-101Y	C RESISTOR	1/4W 100	
R 316	GRE141J-102Y	C RESISTOR	1/4W 1K	
R 317	GRE141J-223Y	C RESISTOR	1/4W 22K	
R 318	GRE141J-104Y	C RESISTOR	1/4W 100K	
R 319	GRE141J-104Y	C RESISTOR	1/4W 100K	
R 320	GRE141J-103Y	C RESISTOR	1/4W 10K	
R 321	GRE141J-103Y	C RESISTOR	1/4W 10K	
R 322	GRE141J-223Y	C RESISTOR	1/4W 22K	
R 323	GRE141J-223Y	C RESISTOR	1/4W 22K	
R 324	GJ25151022508	RESISTOR	MOF 1K 1W	
R 325	GJ25151022508	RESISTOR	MOF 1K 1W	
R 326	GRE141J-471Y	C RESISTOR	1/4W 470	
R 327	GRE141J-471Y	C RESISTOR	1/4W 470	
R 328	GRE141J-474Y	C RESISTOR	1/4W 470K	
R 329	GRE141J-471Y	C RESISTOR	1/4W 470	
R 330	GRE141J-682Y	C RESISTOR	1/4W 6-8K	
R 331	GRE141J-332Y	C RESISTOR	1/4W 3-3K	
R 332	GRE141J-223Y	C RESISTOR	1/4W 22K	
R 333	GRE141J-223Y	C RESISTOR	1/4W 22K	
R 334	GRE141J-563Y	C RESISTOR	1/4W 56K	
R 335	GRE141J-273Y	C RESISTOR	1/4W 27K	
R 336	GRE141J-103Y	C RESISTOR	1/4W 10K	
R 337	GRE141J-225Y	C RESISTOR	1/4W 2-2M	
R 338	GRE141J-473Y	C RESISTOR	1/4W 47K	
R 339	GRE141J-220Y	C RESISTOR	1/4W 22	
R 340	GRE141J-104Y	C RESISTOR	1/4W 100K	
R 341	GRE141J-101Y	C RESISTOR	1/4W 100	
R 342	GRE141J-124Y	C RESISTOR	1/4W 120K	
R 358	GRE141J-103Y	C RESISTOR	1/4W 10K	
R 901	GJ255051002610	RESISTOR	FUSIBLE 1/4W 10	
R 902	GJ25505202610	RESISTOR	FUSIBLE 1/4W 2	
R 903	GRE141J-222Y	C RESISTOR	1/4W 2-2K	
R 904	GRE141J-104Y	C RESISTOR	1/4W 100K	
R 905	GRE141J-103Y	C RESISTOR	1/4W 10K	
R 905	GRE141J-103Y	C RESISTOR	1/4W 10K	
R 906	GRE141J-102Y	C RESISTOR	1/4W 1K	
R 907	GRE141J-471Y	C RESISTOR	1/4W 470	
R 908	GRE141J-109Y	C RESISTOR	1/4W 1	
R 909	GRE141J-109Y	C RESISTOR	1/4W 1	
R 910	GRE141J-109Y	C RESISTOR	1/4W 1	
R 911	GRE141J-102Y	C RESISTOR	1/4W 1K	
R 912	GRE141J-682Y	C RESISTOR	1/4W 6-8K	
R 913	GRE141J-122Y	C RESISTOR	1/4W 1-2K	
R 914	GRE141J-821Y	C RESISTOR	1/4W 820	
R 915	GRE141J-151Y	C RESISTOR	1/4W 150	
R 916	GRE141J-151Y	C RESISTOR	1/4W 150	
R 917	GRE141J-471Y	C RESISTOR	1/4W 470	
R 918	GRE141J-222Y	C RESISTOR	1/4W 2-2K	
R 919	GRE141J-472Y	C RESISTOR	1/4W 4-7K	
R 920	GRE141J-222Y	C RESISTOR	1/4W 2-2K	
R 921	GRE141J-472Y	C RESISTOR	1/4W 4-7K	
R 922	GRE141J-472Y	C RESISTOR	1/4W 4-7K	
R 923	GRE141J-681Y	C RESISTOR	1/4W 680	
R 924	GRE141J-681Y	C RESISTOR	1/4W 680	
R 925	GRE141J-223Y	C RESISTOR	1/4W 22K	
R 926	GRE141J-682Y	C RESISTOR	1/4W 6-8K	
R 927	GJ255053902610	RESISTOR	FUSING 1/4W 39	
R 928	GRE141J-101Y	C RESISTOR	1/4W 100	
R 929	GRE141J-104Y	C RESISTOR	1/4W 100K	
R 930	GRE141J-104Y	C RESISTOR	1/4W 100K	
R 931	GRE141J-102Y	C RESISTOR	1/4W 1K	
R 931	GRE141J-332Y	C RESISTOR	1/4W 3-3K	

CD mechanism driver board

A	REF.	PARTS NO.	PARTS NAME	REMARKS	SUFFIX
R 932		GRE141J-103Y	C RESISTOR	1/4W 10K	
R 932		GRE141J-103Y	C RESISTOR	1/4W 10K	
R 933		GRE141J-181Y	C RESISTOR	1/4W 180	
RY901		QSK0057-001	RELAY	24V	
T 2		GJ123388511	IFT		
TU 1		GJ321000580106	FM FRONT END	TFFJ4Z547A	EE, EV
TU 1		GJ321000570106	FM FRONT END	TFFJ4E567A	B, E, EN
X 1		GA0402-001	CRYSTAL	75KHZ	

A	REF.	PARTS NO.	PARTS NAME	REMARKS	SUFFIX
C 801		GE741M-107	E CAPACITOR	10V 100UF	
C 802		GE741M-475	E CAPACITOR	25V 4.7UF	
C 803		QFVJ1HJ-102Z	E CAPACITOR	50V 0.001UF	
C 804		QDYB1CM-104Y	C CAPACITOR	16V 0.1UF	
C 805		GE741CM-476	E CAPACITOR	16V 47UF	
C 805		QDYB1CM-103Y	C CAPACITOR	16V 0.01UF	
C 807		GE741CM-476	E CAPACITOR	16V 47UF	
C 810		QFVJ1HJ-102Z	E CAPACITOR	50V 0.001UF	
C 810		GJ263151551132	CAPACITOR	50V 1.5UF	
C 811		GJ263151551132	CAPACITOR	50V 1.5UF	
C 813		QDYB1CM-103Y	C CAPACITOR	16V 0.01UF	
C 821		QDYB1CM-102Y	C CAPACITOR	16V 0.001UF	
CN801		GJ340021100102	CONNECTOR FFC		
CN802		VMC0289-P07	CONNECTOR PIN		
CN803		GGG2002M4-10	CONNECTOR		
CN805		GGG202111-10	CONNECTOR		
IC801		UP64561268-177	IC		
IC802		TAS409S	IC		
IC803		TAS409S	IC		
L 801		QGL231K-100Y	INDUCTOR	10UH 10K	
L 802		3A839N	INDUCTOR	GJ320030010109	
L 803		3A839N	INDUCTOR	GJ320030010109	
L 804		3A839N	INDUCTOR	GJ320030010109	
R 805		GRE141J-102Y	C RESISTOR	1/4W 1K	
R 806		GRE141J-471Y	C RESISTOR	1/4W 470	
R 807		GRE141J-102Y	C RESISTOR	1/4W 1K	
R 808		GRE141J-102Y	C RESISTOR	1/4W 1K	
R 810		GRE141J-684Y	C RESISTOR	1/4W 680K	
R 811		GRE141J-105Y	C RESISTOR	1/4W 1M	
R 813		GRE141J-102Y	C RESISTOR	1/4W 1K	
R 814		GRE141J-102Y	C RESISTOR	1/4W 1K	
R 815		GRE141J-102Y	C RESISTOR	1/4W 1K	
R 816		GRE141J-102Y	C RESISTOR	1/4W 1K	
R 817		GRE141J-102Y	C RESISTOR	1/4W 1K	
R 818		GRE141J-102Y	C RESISTOR	1/4W 1K	
R 819		GRE141J-102Y	C RESISTOR	1/4W 1K	
R 820		GRE141J-102Y	C RESISTOR	1/4W 1K	
R 821		GRE141J-102Y	C RESISTOR	1/4W 1K	
R 822		GRE141J-102Y	C RESISTOR	1/4W 1K	
R 823		GRE141J-102Y	C RESISTOR	1/4W 1K	
R 824		GRE141J-102Y	C RESISTOR	1/4W 1K	
R 825		GRE141J-102Y	C RESISTOR	1/4W 1K	
R 826		GRE141J-102Y	C RESISTOR	1/4W 1K	
R 827		GRE141J-102Y	C RESISTOR	1/4W 1K	
R 828		GRE141J-102Y	C RESISTOR	1/4W 1K	
R 829		GRE141J-102Y	C RESISTOR	1/4W 1K	
R 830		GRE141J-102Y	C RESISTOR	1/4W 1K	
R 831		GRE141J-181Y	C RESISTOR	1/4W 180	
R 832		GRE141J-102Y	C RESISTOR	1/4W 1K	
R 833		GRE141J-102Y	C RESISTOR	1/4W 1K	
R 834		GRE141J-102Y	C RESISTOR	1/4W 1K	
R 835		GRE141J-332Y	C RESISTOR	1/4W 3.3K	
R 840		GRE141J-562Y	C RESISTOR	1/4W 5.6K	

CD servo & amplifier board

BLOCK NO. 04		BLOCK NO. 04		
REF.	PARTS NO.	PARTS NAME	REMARKS	SUFFIX
C 604	QET41AM-107	E CAPACITOR	10V 1000PF	
C 605	QET41EM-106	E CAPACITOR	25V 100UF	
C 606	QDB1HK-102Y	C CAPACITOR	50V 1000PF	
C 607	QDB1HK-102Y	C CAPACITOR	50V 1000PF	
C 608	QET41HM-105	C CAPACITOR	50V 1UF	
C 609	QCB1HK-101Y	C CAPACITOR	50V 100PF	
C 610	QFLC1HJ-273Z	M CAPACITOR	50V 0.027UF	
C 611	QDB1CM-222Y	C CAPACITOR	16V 0.0022UF	
C 612	QDB1CM-103Y	C CAPACITOR	16V 0.01UF	
C 613	QDB1HK-331Y	C CAPACITOR	50V 330PF	
C 614	QFLC1HJ-104Z	M CAPACITOR	50V 0.1UF	
C 615	QDB1EZ-223Y	C CAPACITOR	25V 0.022UF	
C 616	QDB1EZ-223Y	C CAPACITOR	25V 0.022UF	
C 617	QDB1EZ-223Y	C CAPACITOR	25V 0.022UF	
C 618	QDB1CM-222Y	C CAPACITOR	16V 0.0022UF	
C 619	QCB1HK-271Y	C CAPACITOR	50V 270PF	
C 620	QCS11HJ-470	C CAPACITOR	50V 47PF	
C 621	QCB1HK-821Y	C CAPACITOR	50V 820PF	
C 622	QET41AM-476	E CAPACITOR	10V 47UF	
C 623	QFLC1HJ-104Z	M CAPACITOR	50V 0.1UF	
C 628	QDX31EM-473Z	E CAPACITOR	47000PF 50V	
C 629	QET41AM-107	E CAPACITOR	10V 100UF	
C 631	QET41AM-477	E CAPACITOR	10V 470UF	
C 632	QET41AM-107	E CAPACITOR	10V 100UF	
C 651	QCS11HJ-120	C CAPACITOR	50V 12PF	
C 652	QCS11HJ-150	C CAPACITOR	50V 15PF	
C 653	QDB1EZ-223Y	C CAPACITOR	25V 0.022UF	
C 655	QDX31EM-473Z	E CAPACITOR	47000PF 50V	
C 661	QCB1HK-471Y	C CAPACITOR	50V 470PF	
C 662	QDB1EZ-223Y	C CAPACITOR	25V 0.022UF	
C 663	QFLC1HJ-273Z	M CAPACITOR	50V 0.027UF	
C 664	QDB1EZ-223Y	C CAPACITOR	25V 0.022UF	
C 665	QFLC1HJ-354Z	M CAPACITOR	50V 0.354UF	
C 671	QDB1CM-222Y	C CAPACITOR	16V 0.0022UF	
C 672	QDB1CM-222Y	C CAPACITOR	16V 0.0022UF	
C 673	QET41AM-227	E CAPACITOR	10V 220UF	
C 674	QDB1EZ-223Y	C CAPACITOR	25V 0.022UF	
C 675	QDB1HK-102Y	C CAPACITOR	50V 1000PF	
C 676	QDB1HK-102Y	C CAPACITOR	50V 1000PF	
C 691	QCB1HK-151Y	C CAPACITOR	50V 150PF	
C 692	QCB1HK-151Y	C CAPACITOR	50V 150PF	
C 693	QCB1HK-151Y	C CAPACITOR	50V 150PF	
C 698	QDB1HK-102Y	C CAPACITOR	50V 1000PF	
CN601	GJ340021150108	CONNECTOR FFC	SMALL TYPE/ 6P	
CN602	TXLP-04P-81	PIN CONNECTOR		
CN603	GJ340021070108	CONNECTOR FFC		
CN604	GJ340021101018	CONNECTOR FFC		
D 661	1SS153-T2	DIODE	52044-1145	
FW601	GJ353150090110	CABLE FFC/FPC	1SS3-T2	
FW602	GJ354004250105	WIRE KIT	CN601 TO CD MEC	
IC601	AN8045B	IC	CN602 TO CD MEC	
IC602	BA5897FPM	IC		
IC603	MN35510	IC		
Q 601	2SA952(L)	TR.		
Q 631	2SA952(L)	TR.		

BLOCK NO. 04		BLOCK NO. 04		
REF.	PARTS NO.	PARTS NAME	REMARKS	SUFFIX
R 601	GRE141J-123Y	C RESISTOR	1/4W 12K	
R 603	GRE141J-125Y	C.RES. 1.M	1/4W 4.1.2M	
R 605	GRE141J-134Y	C.RES. 1.M	1/4W 130K	
R 606	GRE141J-913Y	C RESISTOR	1/4W 91K	
R 607	GRE141J-273Y	C RESISTOR	1/4W 27K	
R 609	GRE141J-114Y	C RESISTOR	1/4W 110K	
R 610	GRE141J-154Y	C RESISTOR	1/4W 150K	
R 612	GRE141J-103Y	C RESISTOR	1/4W 10K	
R 613	GRE141J-121Y	C RESISTOR	1/4W 120	
R 614	GRE141J-100Y	C RESISTOR	1/4W 10	
R 615	GRE141J-120Y	C RESISTOR	1/4W 12	
R 616	GRE141J-910Y	C RESISTOR	1/4W 90	
R 621	GRE141J-330Y	C RESISTOR	1/4W 33	
R 622	GRE141J-330Y	C RESISTOR	1/4W 33	
R 623	GRE141J-330Y	C RESISTOR	1/4W 33	
R 631	GRE141J-331Y	C RESISTOR	1/4W 330	
R 632	GRE141J-101Y	C RESISTOR	1/4W 100	
R 633	GRE141J-273Y	C RESISTOR	1/4W 27K	
R 641	GRE141J-563Y	C RESISTOR	1/4W 56K	
R 642	GRE141J-223Y	C RESISTOR	1/4W 22K	
R 643	GRE141J-224Y	C RESISTOR	1/4W 22K	
R 645	GRE141J-224Y	C RESISTOR	1/4W 22K	
R 646	GRE141J-182Y	C RESISTOR	1/4W 1.8K	
R 647	GRE141J-562Y	C RESISTOR	1/4W 5.6K	
R 651	GRE141J-102Y	C RESISTOR	1/4W 1K	
R 652	GRE141J-102Y	C RESISTOR	1/4W 1K	
R 653	GRE141J-471Y	C RESISTOR	1/4W 470	
R 654	GRE141J-102Y	C RESISTOR	1/4W 1K	
R 655	GRE141J-471Y	C RESISTOR	1/4W 470	
R 659	GRE141J-471Y	C RESISTOR	1/4W 470	
R 661	GRE141J-104Y	C RESISTOR	1/4W 100K	
R 663	GRE141J-124Y	C RESISTOR	1/4W 120K	
R 664	GRE141J-681Y	C RESISTOR	1/4W 680	
R 666	GRE141J-220Y	C RESISTOR	1/4W 22	
R 671	GRE141J-102Y	C RESISTOR	1/4W 1K	
R 672	GRE141J-102Y	C RESISTOR	1/4W 1K	
X 651	GJ361000240009	CRYSTAL	16.9344MHZ	

CD tray switch board

Cassette mechanism amplifier board

REF.	PARTS NO.	PARTS NAME	REMARKS	SUFFIX
CN804	VMC0289-307	CONNECTOR		
SW 1	MPU10105MMBO	SWITCH		
SW 2	MPU10105MMBO	SWITCH		
SW 3	MPU10105MMBO	SWITCH		
SW 4	MPU10105MMBO	SWITCH		
SW 5	MPU10105MMBO	SWITCH		
SW 6	MPU10105MMBO	SWITCH		

REF.	PARTS NO.	PARTS NAME	REMARKS	SUFFIX
C 101	NCS21HJ-561X	C CAPACITOR		
C 102	NCS21HJ-561X	C CAPACITOR		
C 103	NCS21HJ-561X	C CAPACITOR		
C 104	NCS21HJ-221X	C CAPACITOR		
C 105	QEK40JM-227	E CAPACITOR	220MF 20X 6.3V	
C 106	NCB21HK-333X	C CAPACITOR		
C 107	QEK41EM-475	E CAPACITOR	4.7MF 20X 25V	
C 108	NCB21HK-393X	C CAPACITOR		
C 110	NCS21HJ-221X	C CAPACITOR		
C 111	QEK41HM-104	E CAPACITOR	.10MF 20X 50V	
C 112	QEK41CM-226	E CAPACITOR	10MF 20X 16V	
C 113	NCB21HK-332X	C CAPACITOR		
C 114	QEK41EM-475	E CAPACITOR	4.7MF 20X 25V	
C 115	NCB21HK-133X	C CAPACITOR		
C 116	NCB21HK-822X	C CAPACITOR		
C 117	NCB21HK-223X	C CAPACITOR		
C 119	NCB21HK-563X	C CAPACITOR		
C 120	NCS21HJ-330X	C CAPACITOR		
C 201	NCS21HJ-561X	C CAPACITOR		
C 202	NCS21HJ-331X	C CAPACITOR		
C 203	NCS21HJ-561X	C CAPACITOR		
C 204	NCS21HJ-221X	C CAPACITOR		
C 205	QEK40JM-227	E CAPACITOR	220MF 20X 6.3V	
C 206	NCB21HK-333X	C CAPACITOR		
C 207	QEK41EM-475	E CAPACITOR	4.7MF 20X 25V	
C 208	NCB21HK-393X	C CAPACITOR		
C 210	NCS21HJ-221X	C CAPACITOR		
C 211	QEK41HM-104	E CAPACITOR	.10MF 20X 50V	
C 212	QEK41CM-104	E CAPACITOR	10MF 20X 16V	
C 213	NCB21HK-332X	C CAPACITOR		
C 214	QEK41EM-475	E CAPACITOR	4.7MF 20X 25V	
C 215	NCB21HK-153X	C CAPACITOR		
C 216	NCB21HK-622X	C CAPACITOR		
C 217	NCB21HK-233X	C CAPACITOR		
C 219	NCB21HK-563X	C CAPACITOR		
C 220	NCS21HJ-330X	C CAPACITOR		
C 301	QEK41CM-106	E CAPACITOR	10MF 20X 16V	
C 302	QEK41CM-476	E CAPACITOR	47MF 20X 16V	
C 303	QEK41CM-226	E CAPACITOR	22MF 20X 16V	
C 304	QEK41EM-475	E CAPACITOR	4.7MF 20X 25V	
C 305	NCB21HK-393X	C CAPACITOR		
C 306	QEK40JM-227	E CAPACITOR	220MF 20X 6.3V	
C 308	NCB21HK-562X	C CAPACITOR		
C 309	NCB21HK-562X	C CAPACITOR		
C 310	NCB21HK-223X	C CAPACITOR		
C 311	NCB21HK-682X	C CAPACITOR		
C 313	QEK41AM-1072	E CAPACITOR	100MF 20X 10V	
C 314	QCZ0205-1552	ML C CAPACITOR	1.5MF	
C 315	QCZ0205-1552	ML C CAPACITOR	1.5MF	
C 316	QEG32AJ-1032	PP CAPACITOR	.010MF 5X 100V	
C 318	NCB21HK-103X	C CAPACITOR		
C 319	QFG32AJ-8212	TF CAPACITOR	820PF 5X 100V	
C 321	NCB21HK-103X	C CAPACITOR		
C 322	QFG32AJ-1522	M CAPACITOR	1500PF 5X 100V	
C 327	QEK41CM-476	E CAPACITOR	47MF 20X 16V	

BLOCK NO. 06

BLOCK NO. 06

REF.	PARTS NO.	PARTS NAME	REMARKS	SUFFIX
R 102	NRSA02J-102X	MG RESISTOR		
R 103	NRSA02J-183X	MG RESISTOR		
R 105	NRSA02J-220X	MG RESISTOR		
R 106	NRSA02J-392X	MG RESISTOR		
R 107	NRSA02J-123X	MG RESISTOR		
R 108	NRSA02J-222X	MG RESISTOR		
R 109	NRSA02J-152X	MG RESISTOR		
R 111	NRSA02J-562X	MG RESISTOR		
R 112	NRSA02J-122X	MG RESISTOR		
R 113	NRSA02J-271X	MG RESISTOR		
R 114	NRSA02J-391X	MG RESISTOR		
R 115	NRSA02J-332X	MG RESISTOR		
R 117	NRSA02J-332X	MG RESISTOR		
R 118	NRSA02J-152X	MG RESISTOR		
R 119	NRSA02J-203X	MG RESISTOR		
R 120	NRSA02J-102X	MG RESISTOR		
R 121	NRSA02J-122X	MG RESISTOR		
R 202	NRSA02J-102X	MG RESISTOR		
R 203	NRSA02J-183X	MG RESISTOR		
R 205	NRSA02J-220X	MG RESISTOR		
R 206	NRSA02J-392X	MG RESISTOR		
R 207	NRSA02J-123X	MG RESISTOR		
R 208	NRSA02J-222X	MG RESISTOR		
R 209	NRSA02J-152X	MG RESISTOR		
R 211	NRSA02J-562X	MG RESISTOR		
R 212	NRSA02J-122X	MG RESISTOR		
R 213	NRSA02J-271X	MG RESISTOR		
R 214	NRSA02J-391X	MG RESISTOR		
R 215	NRSA02J-332X	MG RESISTOR		
R 217	NRSA02J-332X	MG RESISTOR		
R 218	NRSA02J-152X	MG RESISTOR		
R 219	NRSA02J-203X	MG RESISTOR		
R 220	NRSA02J-102X	MG RESISTOR		
R 221	NRSA02J-122X	MG RESISTOR		
R 301	NRS181J-221X	MG RESISTOR		
R 302	NRS181J-101X	MG RESISTOR		
R 304	NRSA02J-393X	MG RESISTOR		
R 305	NRSA02J-103X	MG RESISTOR		
R 306	NRSA02J-103X	MG RESISTOR		
R 307	NRSA02J-103X	MG RESISTOR		
R 308	NRSA02J-152X	MG RESISTOR		
R 309	NRSA02J-152X	MG RESISTOR		
R 310	NRS181J-820X	MG RESISTOR		
R 311	NRS181J-820X	MG RESISTOR		
R 313	NRSA02J-3R3X	MG RESISTOR		
R 314	NRSA02J-223X	MG RESISTOR		
R 315	NRSA02J-100X	MG RESISTOR		
R 316	NRSA02J-223X	MG RESISTOR		
R 317	NRSA02J-100X	MG RESISTOR		
R 318	NRSA02J-123X	MG RESISTOR		
R 319	NRSA02J-152X	MG RESISTOR		
R 321	NRSA02J-123X	MG RESISTOR		
R 322	NRSA02J-152X	MG RESISTOR		
R 327	NRSA02J-274X	MG RESISTOR		
R 328	NRSA02J-222X	MG RESISTOR		

REF.	PARTS NO.	PARTS NAME	REMARKS	SUFFIX
C 328	NCS21HJ-151X	C CAPACITOR		
C 329	NCS21HJ-151X	C CAPACITOR		
C 330	NCS21HJ-151X	C CAPACITOR		
C 332	NCS21HJ-151X	C CAPACITOR		
C 333	NCS21HJ-103X	C CAPACITOR		
C 336	NCS21HJ-103X	C CAPACITOR		
C 337	NCS21HJ-103X	C CAPACITOR		
C 338	NCS21HJ-103X	C CAPACITOR		
C 339	QEK41CM-476	E CAPACITOR	47NF 20X 16V	
C 340	NCS21HJ-103X	C CAPACITOR		
C 341	QEK11M-107Z	E CAPACITOR	100MF 20X 10V	
C 342	QEK41EM-475	E CAPACITOR	4.7MF 20X 25V	
C 343	QET41CM-106	E CAPACITOR	10MF 20X 16V	
C 344	NCS21HJ-472X	C CAPACITOR		
C 345	NCS21HJ-331X	C CAPACITOR		
C 350	QLM1HJ-102Z	M CAPACITOR	1000PF 5X 50V	
CM301	GGF1205F1-06	CONNECTOR		
CM302	GGF1205F1-06	CONNECTOR		
CM303	GGF1205F1-06	CONNECTOR		
CM304	QGB2014M1-10	B TO B CONNECTO		
CM305	QGB2014M1-10	B TO B CONNECTO		
CM306	QBE1205F1-10	CONNECTOR		
D 307	HM5-1NB2-X	CHIP Z DIODE CM		
D 308	HM5-1NB2-X	CHIP Z DIODE CM		
D 309	MA704A-X	S.K.DIODE		
IC301	BA3126N	IC		
IC302	AN7345K	IC		
IC303	BU4094BCE-X	IC		
IC304	BU4094BCE-X	IC		
L 202	QGR0779-001Z	INDUCTOR	EMC	
L 301	QGR0620-001	OSC COIL(BIAS)		
L 303	GLLO1BK-100Z	INDUCTOR		
Q 102	DTG144TKA-X	TRANSISTOR		
Q 103	DTG144TKA-X	TRANSISTOR		
Q 105	2SC3576-JVC-T	TRANSISTOR		
Q 202	DTI144TKA-X	TRANSISTOR		
Q 203	DTI144TKA-X	TRANSISTOR		
Q 205	2SC3576-JVC-T	TRANSISTOR		
Q 302	2SC2001/K/-T	TRANSISTOR		
Q 303	2SC2001/K/-T	TRANSISTOR		
Q 304	2SC3576-JVC-T	TRANSISTOR		
Q 305	2SC3576-JVC-T	TRANSISTOR		
Q 306	2SC2412K/RS/-X	CHIP TRANSISTOR		
Q 307	2SC2412K/RS/-X	CHIP TRANSISTOR		
Q 308	2SC2412K/RS/-X	CHIP TRANSISTOR		
Q 309	2SC2412K/RS/-X	CHIP TRANSISTOR		
Q 312	2SB562/C/-T	TRANSISTOR		
Q 313	2SC2412K/RS/-X	CHIP TRANSISTOR		
Q 314	2SB562/C/-T	TRANSISTOR		
Q 315	2SC2412K/RS/-X	CHIP TRANSISTOR		
Q 316	2SA9527/LK/-T	TRANSISTOR		
Q 317	DTG1244EKA-X	TRANSISTOR		
Q 321	DTG144EKA-X	TRANSISTOR		
Q 322	DTG144EKA-X	TRANSISTOR		
Q 323	2SC2412K/RS/-X	CHIP TRANSISTOR		

Cassette switch board

BLOCK NO. 09				BLOCK NO. 07					
REF.	PARTS NO.	PARTS NAME	REMARKS	SUFFIX	REF.	PARTS NO.	PARTS NAME	REMARKS	SUFFIX
R 329	NRSA02J-222X	MG RESISTOR			CN 1	GGB201111-10	B TO B CONNECTO		
R 330	NRSA02J-OROX	MG RESISTOR			D 1	1SR139-400-T2	SI DIODE		
R 335	NRSA02J-222X	MG RESISTOR			IC 1	SG-105F3-BB,C	PHOTO SENSER		
R 336	NRSA02J-392X	MG RESISTOR			P 1	GNZ0104-001	POST PIN		
R 338	NRSA02J-222X	MG RESISTOR			SW 2	GSW0832-001	LEAF SWITCH	TAPE	
R 339	NRSA02J-222X	MG RESISTOR			SW 4	GSW0832-001	LEAF SWITCH	70U	
R 341	NRSA02J-222X	MG RESISTOR			SW 6	GSW0507-001	SWITCH		
R 343	NRSA02J-OROX	MG RESISTOR							
R 345	NRSA02J-222X	MG RESISTOR							
R 346	NRSA02J-OROX	MG RESISTOR							
R 347	NRSA02J-392X	MG RESISTOR							
R 348	NRSA02J-222X	MG RESISTOR							
R 350	NRSA02J-472X	MG RESISTOR							
R 351	NRSA02J-151X	MG RESISTOR							
R 353	NRSA02J-472X	MG RESISTOR							
R 354	NRSA02J-151X	MG RESISTOR							
R 355	NRSA02J-332X	MG RESISTOR							
R 357	NRSA02J-103X	MG RESISTOR							
R 358	NRSA02J-222X	MG RESISTOR							
R 359	NRSA02J-123X	MG RESISTOR							
R 360	NRSA02J-433X	MG RESISTOR							
R 361	NRSA02J-183X	MG RESISTOR							
R 362	NRSA02J-123X	MG RESISTOR							
R 363	NRSA02J-183X	MG RESISTOR							
R 364	NRSA02J-433X	MG RESISTOR							
R 365	NRSA02J-203X	MG RESISTOR							
R 366	NRSA02J-123X	MG RESISTOR							
R 367	NRSA02J-102X	MG RESISTOR							
R 368	NRSA02J-391X	MG RESISTOR							
R 369	NRSA02J-391X	MG RESISTOR							
R 371	NRS181J-222X	MG RESISTOR							
R 374	NRSA02J-912X	MG RESISTOR							
R 375	NRSA02J-683X	MG RESISTOR							
R 376	NRS181J-6R8X	MG RESISTOR							
V3101	QVP0008-503Z	SEMI V RESISTOR							
VR501	QVP0008-503Z	SEMI V RESISTOR							
WR501	QVP0008-103Z	SEMI V RESISTOR							
WIRE	EMR34D-10CS	FLAT WIRE							

■ Cassette switch board

		BLOCK NO. 08					
A REF.	PARTS NO.	PARTS NAME	REMARKS	SUFFIX			
CN	1	GG20111-10	B TO B CONNECTO				
D	1	1SR139-400-T2	SI DIODE				
IC	1	SG-105F3-BB/C	PHOTO SENSER				
P	1	GN20104-001	POST PIN				
SW	1	QSW0832-001	LEAF SWITCH	R.REC			
SW	2	QSW0832-001	LEAF SWITCH	TAPE			
SW	4	QSW0832-001	LEAF SWITCH	70U			
SW	5	QSW0832-001	LEAF SWITCH	F.REC			
SW	6	QSW0507-001	SWITCH				

Packing materials and accessories parts list

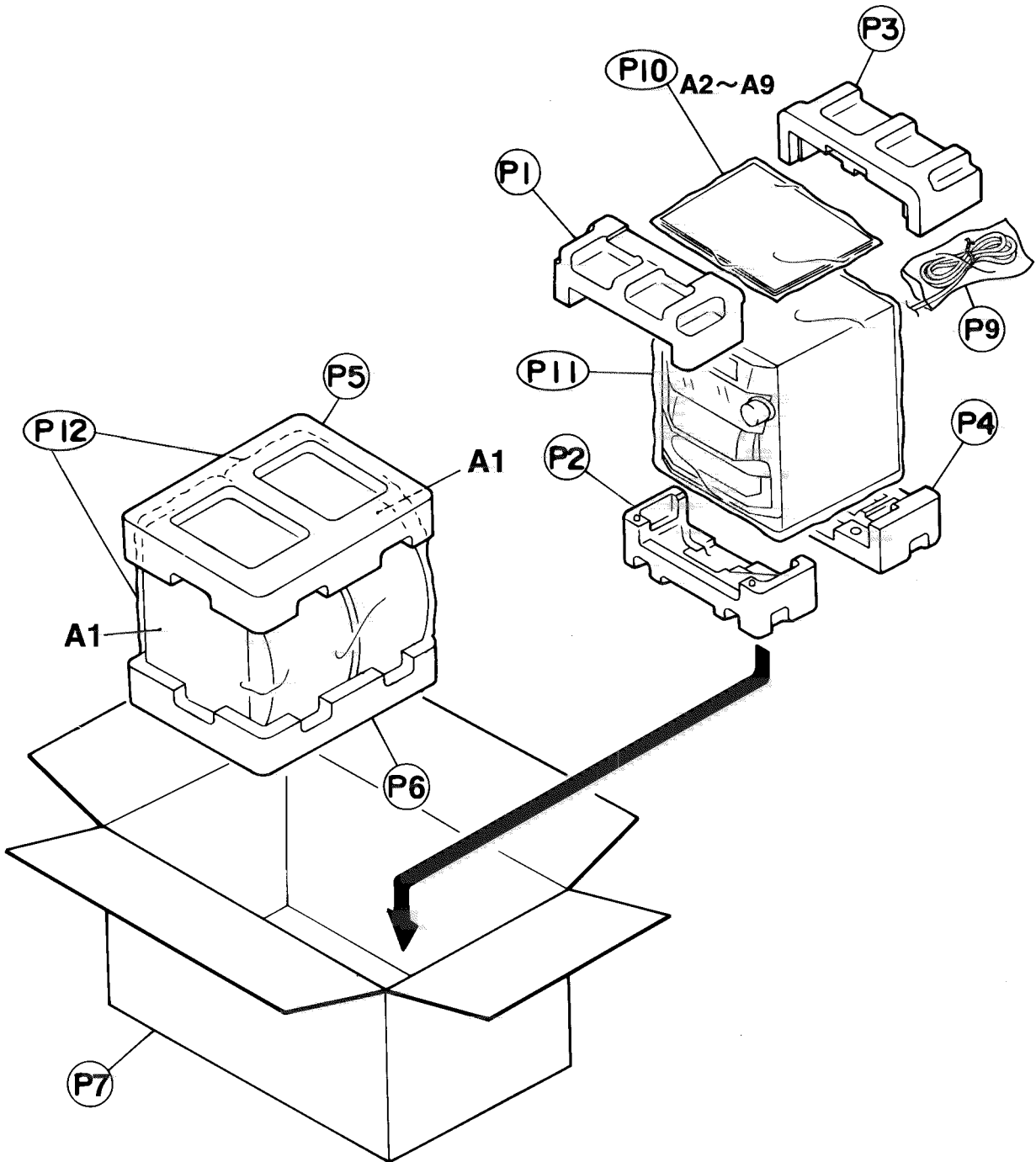
Block No.

M	5	M	M
---	---	---	---

Block No.

M	6	M	M
---	---	---	---

(EE Version)



■ Packing parts list (EE version)

BLOCK NO. **45MM** □□□

△	REF.	PARTS NO.	PARTS NAME	REMARKS	QTY	SUFFIX	CLR
	P 1	GJ560170140101	CUSHION	FRONT TOP	1	EE	
	P 2	GJ560170150101	CUSHION	FRONT BOTTOM	1	EE	
	P 3	GJ560170160101	CUSHION	REAR TOP	1	EE	
	P 4	GJ560170170101	CUSHION	REAR BOTTOM	1	EE	
	P 5	GJ560170130101	CUSHION	SPEAKER TOP	1	EE	
	P 6	GJ560170120101	CUSHION	SPEAKER BOTTOM	1	EE	
	P 7	GJ560170310101	CARTON		1	EE	
	P 9	GJ740122550000	POLY BAG		1	EE	
	P 10	GJ740362550000	POLY BAG		1	EE	
	P 11	GJ740666420300	POLY BAG		1	EE	
	P 12	-----	POLY BAG	SPEAKER BOX	2	EE	

■ Accessories parts list (EE version)

BLOCK NO. **46MM** □□□

△	REF.	PARTS NO.	PARTS NAME	REMARKS	QTY	SUFFIX	CLR
	A 1	MXJ10K-SPBOX	SPEAKER BOX		2	EE	
	A 2	RM-MXJ10/E/	W.LESS REMOCON		1	EE	
	A 3	-----	BATTERY		1	EE	
	A 4	GJ351001432431	FM ANTENNA		1	EE	
	A 5	GJ460220010201	AM LOOP ANTENNA		1	EE	
	A 6	LVT0301-010A	INSTRUCTIONS		1	EE	
	A 9	BT-54012-1	WARRANTY CARD		1	EE	

Packing materials and accessories parts list

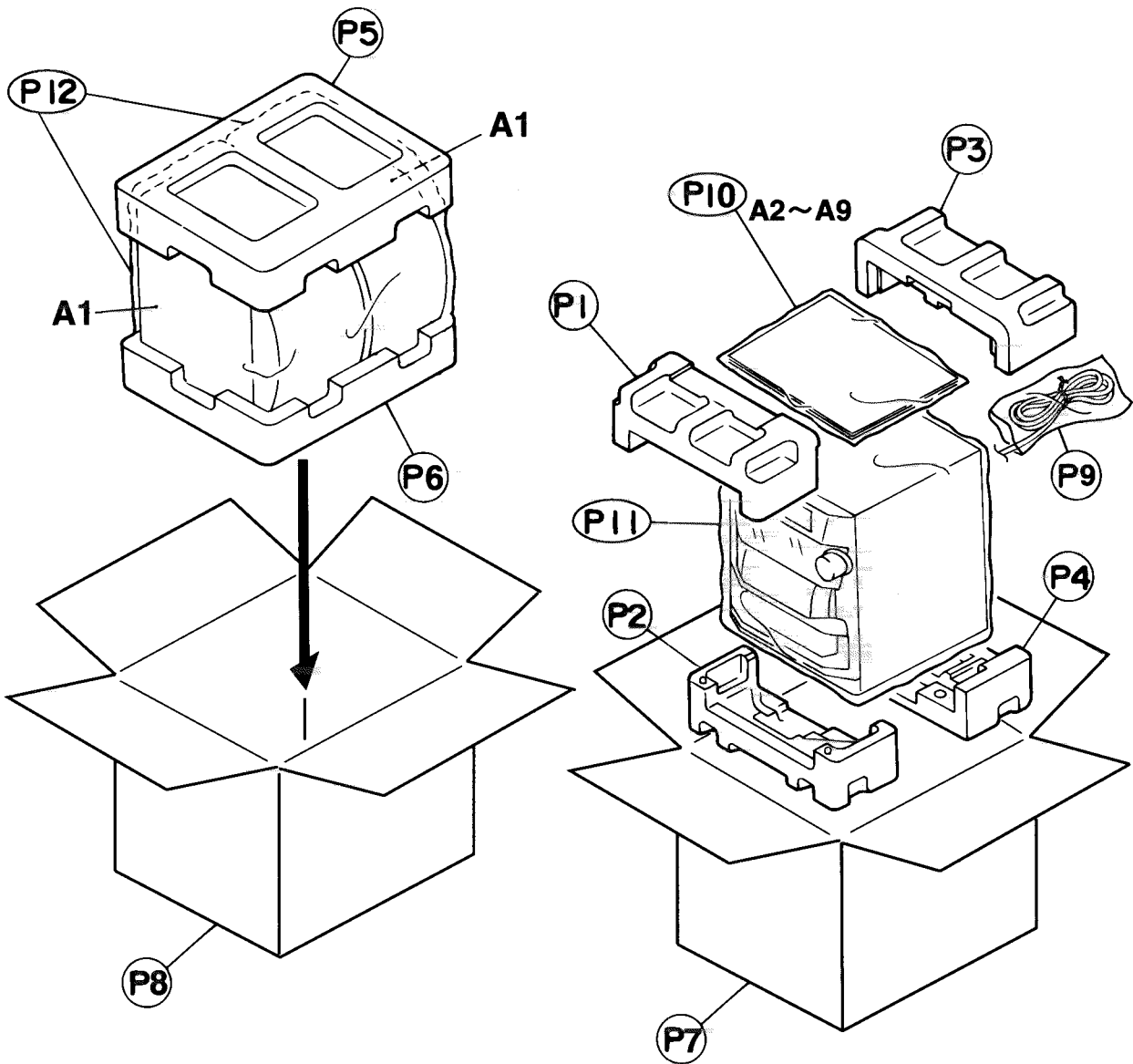
Block No.

M	5	M	M
---	---	---	---

Block No.

M	6	M	M
---	---	---	---

(B/E/EN/EV Version)



■ Packing parts list (B/E/EN/EV version)

BLOCK NO. **PCPM** [] [] [] []

REF.	PARTS NO.	PARTS NAME	REMARKS	QTY	SUFFIX	CLR
P 1	GJ560170240101	CUSHION	FRONT TOP	1	B,E,EN,EV	
P 2	GJ560170250101	CUSHION	FRONT BOTTOM	1	B,E,EN,EV	
P 3	GJ560170260101	CUSHION	REAR TOP	1	B,E,EN,EV	
P 4	GJ560170270101	CUSHION	REAR BOTTOM	1	B,E,EN,EV	
P 5	GJ560170130101	CUSHION	SPEAKER TOP	1	B,E,EN,EV	
P 6	GJ560170120101	CUSHION	SPEAKER BOTTOM	1	B,E,EN,EV	
P 7	GJ560170230101	CARTON	MAIN UNIT	1	B,E,EN,EV	
P 8	GJ560170220101	CARTON	SPEAKER	1	B,E,EN,EV	
P 9	GJ740122550000	POLY BAG		1	B,E,EN,EV	
P 10	GJ740362550000	POLY BAG		1	B,E,EN,EV	
P 11	GJ740363420300	POLY BAG		1	B,E,EN,EV	
P 12	-----	POLY BAG	SPEAKER BOX	2	B,E,EN,EV	

■ Accessories parts list (B/E/EN/EV version)

BLOCK NO. **PCPM** [] [] [] []

REF.	PARTS NO.	PARTS NAME	REMARKS	QTY	SUFFIX	CLR
A 1	MXJ10K-SPBOX	SPEAKER BOX		2	B,E,EN,EV	
A 2	RM-MXJ10/E/	W.LESS REMOCON		1	B,E,EN,EV	
A 3	-----	BATTERY		1	B,E,EN,EV	
A 4	GJ351001432431	FM ANTENNA		1	B,E,EN,EV	
A 5	GJ460220010201	AM LOOP ANTENNA		1	B,E,EN,EV	
A 6	LVT0301-003A	INSTRUCTIONS		1	B	
	LVT0301-008A	INSTRUCTIONS		1	E	
	LVT0301-009A	INSTRUCTIONS		1	EN	
	LVT0301-011A	INSTRUCTIONS		1	EV	
A 7	VNA3000-202	REGIST.CARD		1	B	
A 8	E43486-340B	SAFETY INST		1	B	
A 9	BT-54008-2	WARRANTY CARD		1	E,EN	
	BT-54012-1	WARRANTY CARD		1	EV	


MX-J10

JVC

VICTOR COMPANY OF JAPAN, LIMITED

AUDIO DIVISION, 10-1, 1chome, Ohwatari-machi, Maebashi-city, 371-8543, Japan

(No.20777)

 Printed in Japan
9908(V)